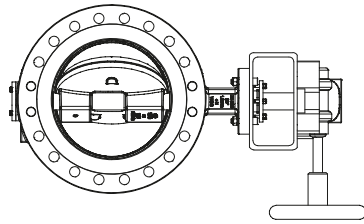


ARI-ZETRIX® - Fig. 016 - Double flanged process valve with metallic sealing - Triple offset
ARI-ZETRIX® - Fig. 018 - Threaded flange process valve with metallic sealing - Triple offset

ARI-ZETRIX®
with worm gear

- Self-locking
- With variable adjustment



Page 6

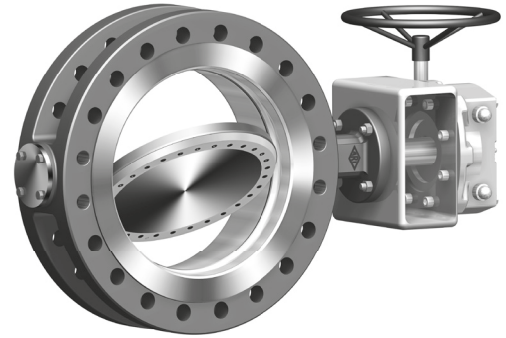
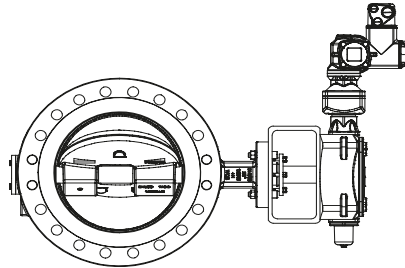


Fig. 016 -
ARI-ZETRIX® gear

ARI-ZETRIX®
with electric rotary actuator
Auma or Schiebel

- For temporary service S 2-15 min.
(or control: Auma S4 25%,
Schiebel S4 40%)
- 400V 50Hz (optional: 230V 50Hz)
- Enclosure IP 67

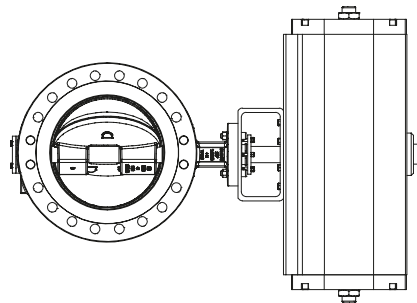


Page 7



Fig. 016 -
ARI-ZETRIX® electric actuator

ARI-ZETRIX®
with pneumatic actuator



on request

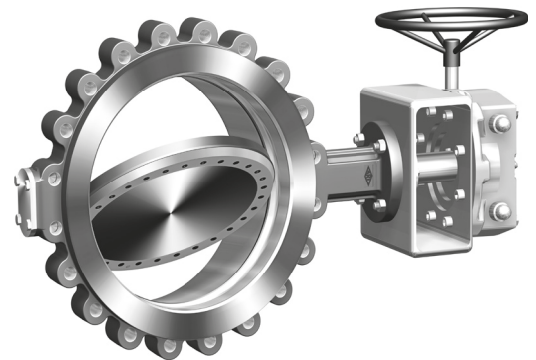
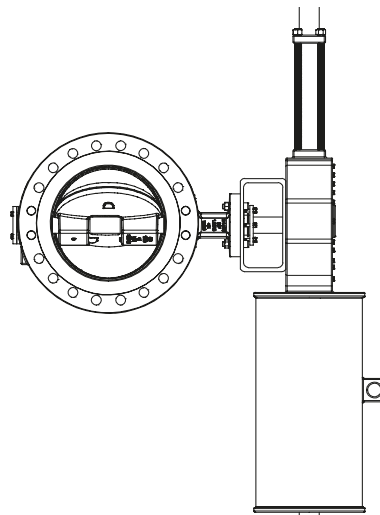


Fig. 018 -
ARI-ZETRIX® threaded flange

ARI-ZETRIX®
with hydraulic actuator



on request

Features:

- Double flange and threaded flange design
- Cast steel / stainless steel body, one-piece
- Triple offset construction:
Rotary movement (90°) without wear or friction
- Metallic sealing
- Stellite seat (Stellite® 21)
- Continuous stem, hardened bearings
with graphite protector ring
- Blow-out protected stem (optional: acc. to API 609)
- Firesafe acc. to ISO 10479 / API 607
- ATEX
- SIL
- Test EN ISO 15848-1/ TA-Luft (optional)

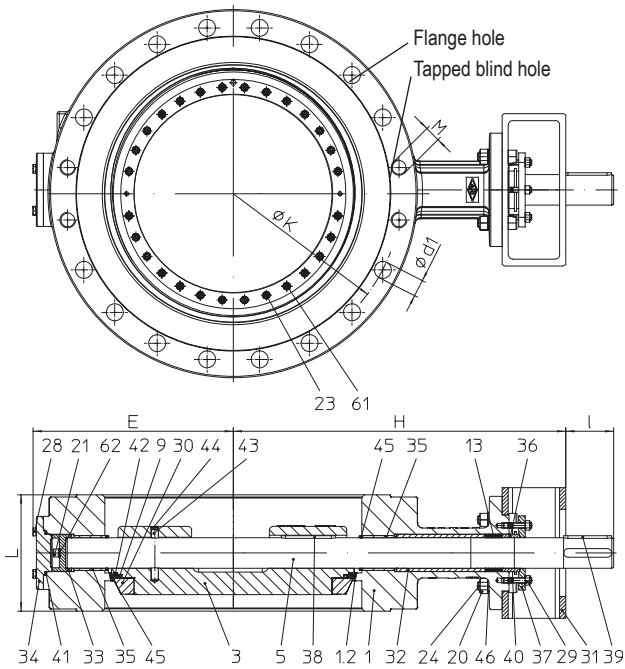
Double flanged process valve - Triple offset (Cast steel, Stainless steel)


Figure	Nominal pressure	Material	Nominal diameter	Disc	Stem
31.016	PN10	1.0619+N	DN 80-600	1.0619+N	1.4021+QT
32.016	PN16	1.0619+N	DN 80-600	1.0619+N	1.4021+QT
34.016	PN25	1.0619+N	DN 80-600	1.0619+N	1.4021+QT
35.016	PN40	1.0619+N	DN 80-600	1.0619+N	1.4021+QT

51.016	PN10	1.4408	DN 80-600	1.4408	1.4542
52.016	PN16	1.4408	DN 80-600	1.4408	1.4542
54.016	PN25	1.4408	DN 80-600	1.4408	1.4542
55.016	PN40	1.4408	DN 80-600	1.4408	1.4542

Face-to-face dimension series 13 acc. to DIN EN 558 / ISO 5752 / API 609 (short pattern)

Sealing element:	
• Graphite / X2CrNiMoN22-5-3, 1.4462	-60°C to 400°C
Max. differential pressure:	
• = Nominal pressure	

Actuation arrangement:	
• Worm gear	• Pneumatic actuator
• Electric actuator	• Hydraulic actuator
Test:	
Sealing leakage test:	• DIN EN 12266-1 Leakage rate A

Options on request (refer to page 9)

Parts					
Pos.	Sp.p.	Description	Fig. 31. / 32. / 34. / 35.016	Fig. 51. / 52. / 54. / 55.016	
1		Body	GP240GH+N, 1.0619+N	GX5CrNiMo19-11-2, 1.4408	
1.2		Seat	Stellit 21		
3		Disc	GP240GH+N, 1.0619+N	GX5CrNiMo19-11-2, 1.4408	
5		Stem	X20Cr13+QT, 1.4021+QT	X5CrNiCuNb16-4, 1.4542 - max. 300°C (1.4980 - max. 400°C on request)	
9	x	Lamellar seal ring	Graphite / X2CrNiMoN22-5-3, 1.4462		
13	x	Packing	Graphite		
20		Hexagon nut	8 - A2B		
21		Cheese head screw	A4-70		
23		Cheese head screw	A4-70		
24		Cheese head screw	8.8-A2B		
28		Hexagon screw	A2-70		
29		Hexagon nut	A2		
30		Retaining ring	P265 GH, 1.0425 (nickel plated)	X5CrNi18-10, 1.4301	
31		Console	S355J2H, 1.0576 (galvanized)		
32		Distance bush	X5CrNi18-10, 1.4301		
33		Axial bearing	X20Cr13+QT, 1.4021+QT (hardened)	X5CrNi18-10, 1.4301 (hardened)	
34		Bottom flange	P250 GH, 1.0460	X5CrNi18-10, 1.4301	
35		Bushing	X20Cr13+QT, 1.4021+QT (hardened)	X5CrNi18-10, 1.4301 (hardened)	
36		Bushing	X5CrNi18-10, 1.4301		
37		Packing box flange	X5CrNi18-10, 1.4301		
38 / 39		Parallel key	A4		
40		Stud	A4-70		
41	x	Spiral wounded gasket	Graphite / X6CrNiTi18-10, 1.4541		
42	x	Spiral wounded gasket	Graphite / Hastelloy C276, 2.4819		
43		Parallel pin	A4-70		
44		Retaining ring	X39CrMo17-1+QT, 1.4122+QT		
45		Bearing protector	Graphite webbing		
46		Spring ring	FST-A2B		
61 / 62		Lock washer pair	A4		
L Spare parts					

Information / restriction of technical rules need to be observed!

The engineer, designing a system or a plant, is responsible for the selection of the correct valve.

Resistance and fitness must be verified (contact manufacturer for information, refer to Product overview).

DN		80	100	125	150	200	250	300	350	400	500	600		
Face-to-face dimension series 13 acc. to DIN EN 558 / ISO 5752 / API 609 Cat. B (short pattern)														
L	(mm)	114	127	140	140	152	165	178	190	216	229	267		
Dimensions														
PN10 / PN16 / PN25	H	(mm)	292	288	344	344	371	498	552	588	662	712	763	
	E	(mm)	127	150	184	185	204	239	267	305	337	392	460	
	I	(mm)	45	45	55	55	55	55	65	65	80	110	110	
PN40	H	(mm)	292	288	344	344	400	575	601	636	661	762	819	
	E	(mm)	127	150	184	185	215	251	285	317	356	416	496	
	I	(mm)	45	45	55	55	65	80	80	110	110	130	130	
Standard-flange dimensions / Hexagon screw (Quantity, Thread, Length) per side														
PN10	Flange hole	ØK	(mm)	160	180	210	240	295	350	400	460	515	620	725
		n x Ød1	(mm)	4 x 18	4 x 18	4 x 18	4 x 22	4 x 22	8 x 22	8 x 22	12 x 22	12 x 26	16 x 26	16 x 30
		Number of threads (M)	(n)	4	4	4	4	4	4	4	4	4	4	4
	Screw	Thread ^{1) 2)}	(mm)	M16	M16	M16	M20	M20	M20	M20	M20	M24	M24	M27
		Number ¹⁾	(n)	4	4	4	4	4	8	8	12	12	16	16
		Length ¹⁾	(mm)	80	80	90	90	90	100	100	100	100	110	120
		Number ²⁾	(n)	4	4	4	4	4	4	4	4	4	4	4
PN16	Flange hole	ØK	(mm)	160	180	210	240	295	355	410	470	525	650	770
		n x Ød1	(mm)	4 x 18	4 x 18	4 x 18	4 x 22	8 x 22	8 x 26	8 x 26	12 x 26	12 x 30	16 x 33	16 x 36
		Number of threads (M)	(n)	4	4	4	4	4	4	4	4	4	4	4
	Screw	Thread ^{1) 2)}	(mm)	M16	M16	M16	M20	M20	M24	M24	M24	M27	M30	M33
		Number ¹⁾	(n)	4	4	4	4	8	8	8	12	12	16	16
		Length ¹⁾	(mm)	80	80	90	90	90	100	100	110	110	130	150
		Number ²⁾	(n)	4	4	4	4	4	4	4	4	4	4	4
PN25	Flange hole	ØK	(mm)	160	190	220	250	310	370	430	490	550	660	770
		n x Ød1	(mm)	4 x 18	4 x 22	4 x 26	4 x 26	8 x 26	8 x 30	12 x 30	12 x 33	12 x 36	16 x 36	16 x 39
		Number of threads (M)	(n)	4	4	4	4	4	4	4	4	4	4	4
	Screw	Thread ^{1) 2)}	(mm)	M16	M20	M24	M24	M24	M27	M27	M30	M33	M33	M36
		Number ¹⁾	(n)	4	4	4	4	8	8	12	12	12	16	16
		Length ¹⁾	(mm)	90	95	95	95	100	110	110	120	130	140	180
		Number ²⁾	(n)	4	4	4	4	4	4	4	4	4	4	4
PN40	Flange hole	ØK	(mm)	160	190	220	250	320	385	450	510	585	670	795
		n x Ød1	(mm)	4 x 18	4 x 22	4 x 26	4 x 26	8 x 30	8 x 33	12 x 33	12 x 36	12 x 39	16 x 42	16 x 48
		Number of threads (M)	(n)	4	4	4	4	4	4	4	4	4	4	4
	Screw	Thread ^{1) 2)}	(mm)	M16	M20	M24	M24	M27	M30	M30	M33	M36	M39	M45
		Number ¹⁾	(n)	4	4	4	4	8	8	12	12	12	16	16
		Length ¹⁾	(mm)	90	95	95	95	105	120	130	140	150	170	200
		Number ²⁾	(n)	4	4	4	4	4	4	4	4	4	4	4
	Length ²⁾	(mm)	50	50	60	60	70	70	80	80	90	100	120	

¹⁾ Hexagon screws / studs for flange holes

²⁾ Hexagon screws for tapped blind hole

Weights for double flanged process valve														
1.0619+N	PN10/16/25	Fig. 31./32./34.016	(kg)	33	44	65	65	80	98	131	175	236	454	530
	PN40	Fig. 35.016	(kg)	33	44	65	65	90	105	182	260	345	523	832
1.4408	PN10/16/25	Fig. 51./52./54.016	(kg)	35	46	68	68	84	103	136	180	242	460	537
	PN40	Fig. 55.016	(kg)	35	46	68	68	96	110	187	265	352	529	841

Pressure-temperature-ratings	Intermediate values for max. permissible operational pressures can be determined by linear interpolation of the given temperature / pressure chart.											
------------------------------	---	--	--	--	--	--	--	--	--	--	--	--

acc. to manuf. standard	PN		-60°C to <-10°C	-10°C to 50 °C	120 °C	150 °C	200 °C	250 °C	300 °C	350 °C	400 °C
1.0619+N	10	(bar)	on request	10	9,2	8,8	8,3	7,6	6,9	6,4	5,9
1.0619+N	16	(bar)	12	16		15,3	14	13	11	10,2	9,5
1.0619+N	25	(bar)	18,7	25		23,9	22	20	17,2	16	14,8
1.0619+N	40	(bar)	30	40		38,1	35	32	28	25,7	23,8

acc. to DIN EN 1092-1	PN		-60°C to <-10°C	-10°C to 100°C	150°C	200°C	250°C	300°C	350°C	400°C
1.4408	10	(bar)	on request	10	9	8,4	7,9	7,4	7,1	6,8
1.4408	16	(bar)	16	16	14,5	13,4	12,7	11,8	11,4	10,9
1.4408	25	(bar)	25	25	22,7	21	19,8	18,5	17,8	17,1
1.4408	40	(bar)	40	40	36,3	33,7	31,8	29,7	28,5	27,4

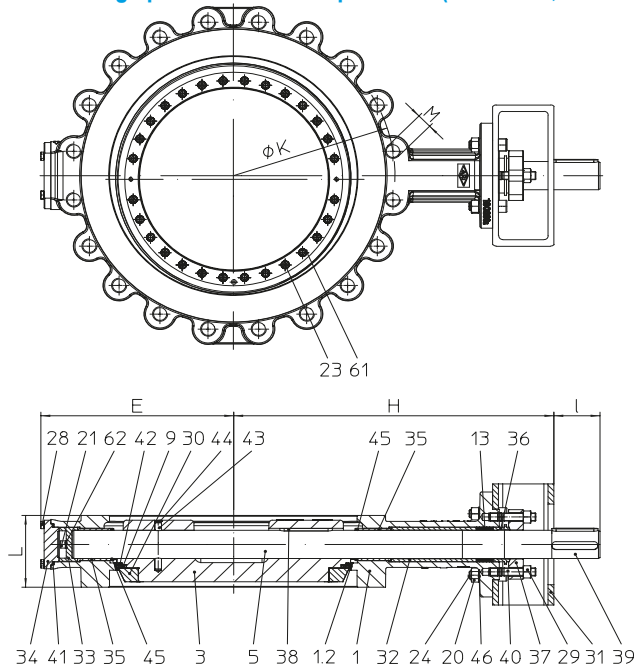
Threaded flange process valve - Triple offset (Cast steel, Stainless steel)


Figure	Nominal pressure	Material	Nominal diameter	Disc	Stem
31.018	PN10	1.0619+N	DN 80-600	1.0619+N	1.4021+QT
32.018	PN16	1.0619+N	DN 80-600	1.0619+N	1.4021+QT
34.018	PN25	1.0619+N	DN 80-600	1.0619+N	1.4021+QT
35.018	PN40	1.0619+N	DN 80-600	1.0619+N	1.4021+QT
51.018	PN10	1.4408	DN 80-600	1.4408	1.4542
52.018	PN16	1.4408	DN 80-600	1.4408	1.4542
54.018	PN25	1.4408	DN 80-600	1.4408	1.4542
55.018	PN40	1.4408	DN 80-600	1.4408	1.4542

Face-to-face dimension series 16 acc. to DIN EN 558 / ISO 5752

Sealing element:	
• Graphite / X2CrNiMoN22-5-3, 1.4462	-60°C bis 400°C
Max. differential pressure:	
• = Nominal pressure	

Actuation arrangement:	
• Worm gear	• Pneumatic actuator
• Electric actuator	• Hydraulic actuator
Test:	
Sealing leakage test:	• DIN EN 12266-1 Leakage rate A

Options on request (refer to page 9)

Parts					
Pos.	Sp.p.	Description	Fig. 31. / 32. / 34. / 35.018	Fig. 51. / 52. / 54. / 55.018	
1		Body	GP240GH+N, 1.0619+N	GX5CrNiMo19-11-2, 1.4408	
1.2		Seat	Stellit 21		
3		Disc	GP240GH+N, 1.0619+N	GX5CrNiMo19-11-2, 1.4408	
5		Stem	X20Cr13+QT, 1.4021+QT	X5CrNiCuNb16-4, 1.4542 - max. 300°C (1.4980 - max. 400°C on request)	
9	x	Lamellar seal ring	Graphite / X2CrNiMoN22-5-3, 1.4462		
13	x	Packing	Graphite		
20		Hexagon nut	8 - A2B		
21		Cheese head screw	A4-70		
23		Cheese head screw	A4-70		
24		Cheese head screw	8.8-A2B		
28		Hexagon screw (≥ DN250)	A2-70		
29		Hexagon nut	A2		
30		Retaining ring	P265 GH, 1.0425 (nickel plated)	X5CrNi18-10, 1.4301	
31		Console	S355J2H, 1.0576 (galvanized)		
32		Distance bush	X5CrNi18-10, 1.4301		
33		Axial bearing	X20Cr13+QT, 1.4021+QT (hardened)	X5CrNi18-10, 1.4301 (hardened)	
34		Bottom flange (≥ DN250)	P250 GH, 1.0460	X5CrNi18-10, 1.4301	
35		Bushing	X20Cr13+QT, 1.4021+QT (hardened)	X5CrNi18-10, 1.4301 (hardened)	
36		Bushing	X5CrNi18-10, 1.4301		
37		Packing box flange	X5CrNi18-10, 1.4301		
38 / 39		Parallel key	A4		
40		Stud	A4-70		
41	x	Spiral wounded gasket (≥ DN 250)	Graphite / X6CrNiTi18-10, 1.4541		
42	x	Spiral wounded gasket	Graphite / Hastelloy C276, 2.4819		
43		Parallel pin	A4-70		
44		Retaining ring	X39CrMo17-1+QT, 1.4122+QT		
45		Bearing Protector	Graphite webbing		
46		Spring ring	FST-A2B		
61 / 62		Lock washer pair	A4		
L Spare parts					

Information / restriction of technical rules need to be observed!

The engineer, designing a system or a plant, is responsible for the selection of the correct valve.

Resistance and fitness must be verified (contact manufacturer for information, refer to Product overview).

DN	80	100	125	150	200	250	300	350	400	500	600
----	----	-----	-----	-----	-----	-----	-----	-----	-----	-----	-----

Face-to-face dimension series 16 acc. to DIN EN 558 / ISO 5752												
L	(mm)	64	64	--	76	89	114	114	127	140	152	178

Dimensions													
PN10 / PN16 / PN25	H	(mm)	292	288	--	344	371	498	552	588	662	712	763
	E	(mm)	131	154	--	184	212	238	267	304	336	391	453
	I	(mm)	45	45	--	55	55	55	65	65	80	110	110
PN40	H	(mm)	292	288	--	344	400	575	601	636	661	762	819
	E	(mm)	131	154	--	184	223	250	285	317	351	411	488
	I	(mm)	45	45	--	55	65	80	80	110	110	130	130

Standard-flange dimensions / Threads (Dimensions, Quantity, Screw depth) per side														
PN10	Flange hole	ØK	(mm)	160	180	--	240	295	350	400	460	515	620	725
		Number of threads	(n)	8	8	--	8	8	12	12	16	16	20	20
	Thread	Thread ¹⁾²⁾	(mm)	M16	M16	--	M20	M20	M20	M20	M20	M24	M24	M27
		Number ¹⁾	(n)	8	8	--	8	8	12	8	12	16	16	16
		Number ²⁾	(n)	--	--	--	--	--	--	4	4	--	4	4
	Screw depth ²⁾	(mm)	--	--	--	--	--	--	24	30	--	30	30	
PN16	Flange hole	ØK	(mm)	160	180	--	240	295	355	410	470	525	650	770
		Number of threads	(n)	8	8	--	8	12	12	12	16	16	20	20
	Thread	Thread ¹⁾²⁾	(mm)	M16	M16	--	M20	M20	M24	M24	M24	M27	M30	M33
		Number ¹⁾	(n)	8	8	--	8	12	12	8	12	16	16	16
		Number ²⁾	(n)	--	--	--	--	--	--	4	4	--	4	4
	Screw depth ²⁾	(mm)	--	--	--	--	--	--	24	30	--	30	30	
PN25	Flange hole	ØK	(mm)	160	190	--	250	310	370	430	490	550	660	770
		Number of threads	(n)	8	8	--	8	12	12	16	16	16	20	20
	Thread	Thread ¹⁾²⁾	(mm)	M16	M20	--	M24	M24	M27	M27	M30	M33	M33	M36
		Number ¹⁾	(n)	8	8	--	8	12	12	12	12	16	16	16
		Number ²⁾	(n)	--	--	--	--	--	--	4	4	--	4	4
	Screw depth ²⁾	(mm)	--	--	--	--	--	--	24	30	--	30	30	
PN40	Flange hole	ØK	(mm)	160	190	--	250	320	385	450	510	585	670	795
		Number of threads	(n)	8	8	--	8	12	12	16	16	16	20	20
	Thread	Thread ¹⁾²⁾	(mm)	M16	M20	--	M24	M27	M30	M30	M33	M36	M39	M45
		Number ¹⁾	(n)	8	8	--	8	8	12	12	12	12	16	16
		Number ²⁾	(n)	--	--	--	--	4	--	4	4	4	4	4
	Screw depth ²⁾	(mm)	--	--	--	--	18	--	21	28	33	30	35	

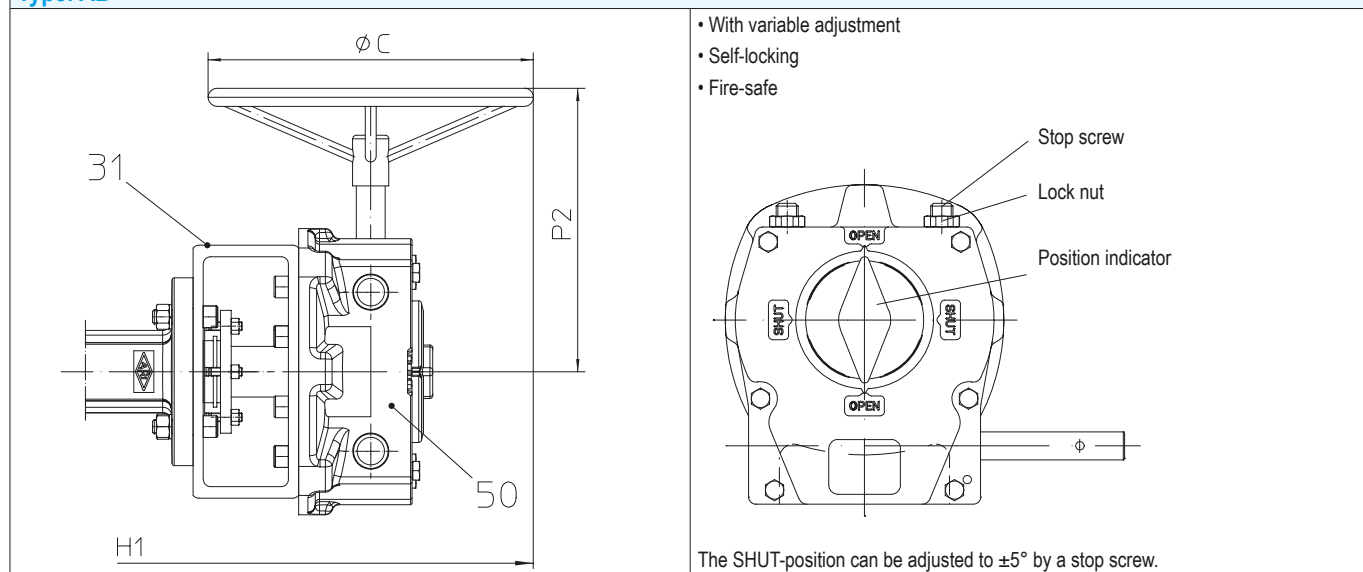
¹⁾ Tapped through hole ²⁾ Tapped blind hole

Weights for threaded flange process valve														
1.0619+N	PN10/16/25	Fig. 31./32./34.018	(kg)	24	29	--	45	64	74	121	152	192	416	446
	PN40	Fig. 35.018	(kg)	24	29	--	45	64	82	148	246	317	494	778
1.4408	PN10/16/25	Fig. 51./52./54.018	(kg)	26	31	--	47	68	78	128	158	198	422	458
	PN40	Fig. 55.018	(kg)	26	31	--	47	69	86	152	250	324	450	787

Pressure-temperature-ratings Intermediate values for max. permissible operational pressures can be determined by linear interpolation of the given temperature / pressure chart.

acc. to manuf. standard	PN		-60°C bis <-10°C	-10°C bis 50 °C	120 °C	150 °C	200 °C	250 °C	300 °C	350 °C	400 °C
1.0619+N	10	(bar)	on request	10	9,2	8,8	8,3	7,6	6,9	6,4	5,9
1.0619+N	16	(bar)	12	16		15,3	14	13	11	10,2	9,5
1.0619+N	25	(bar)	18,7	25		23,9	22	20	17,2	16	14,8
1.0619+N	40	(bar)	30	40		38,1	35	32	28	25,7	23,8

acc. to DIN EN 1092-1	PN		-60°C bis <-10°C	-10°C bis 100°C	150°C	200°C	250°C	300°C	350°C	400°C
1.4408	10	(bar)	on request	10	9	8,4	7,9	7,4	7,1	6,8
1.4408	16	(bar)	16	16	14,5	13,4	12,7	11,8	11,4	10,9
1.4408	25	(bar)	25	25	22,7	21	19,8	18,5	17,8	17,1
1.4408	40	(bar)	40	40	36,3	33,7	31,8	29,7	28,5	27,4

ZETRIX® process valve with worm gear
Type: AB


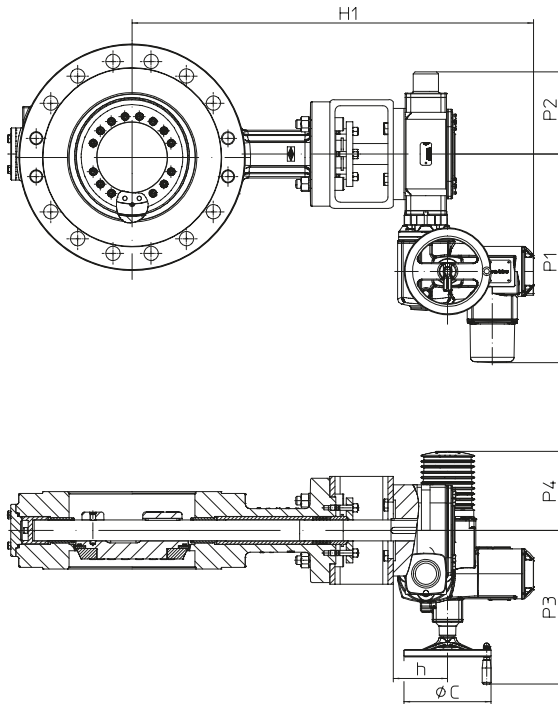
Parts			
Pos.	Ers.	Description	Fig. 31./ 32./ 34./ 35.016 ; 51./ 52./ 54./ 55.016 ; 31./ 32./ 34./ 35.018 ; 51./ 52./ 54./ 55.018
31		Console	S355J2H, 1.0576 (zinc coated)
50		Worm gear	
L Spare parts			

DN	80	100	125	150	200	250	300	350	400	500	600
----	----	-----	-----	-----	-----	-----	-----	-----	-----	-----	-----

Dimensions													
PN10 / PN16 / PN25	H1 (to middle of valve)	(mm)	395	395	585	585	612	739	844	980	1110	1017	1068
	P2	(mm)	217	217	297	297	297	297	305	305	346	417	417
	ØC	(mm)	150	150	400	400	400	400	500	500	500	500	500
	Type of gear		AB210 FS	AB215 FS	AB550 FS	AB550 FS	AB550 FS	AB550 FS	AB880 FS	AB880 FS	AB1250 FS	AB1950 PR4 FS	AB1950 PR4 FS

PN40	H1 (to middle of valve)	(mm)	395	395	585	585	692	973	1049	941	966	1121	1128
	P2	(mm)	217	217	297	297	305	346	346	417	417	470	470
	ØC	(mm)	150	150	400	400	500	500	500	500	500	500	500
	Type of gear		AB210 FS	AB215 FS	AB550 FS	AB550 FS	AB880 FS	AB1250 FS	AB1250 FS	AB1950 PR4 FS	AB1950 PR4 FS	AB6800 PR4 FS	AB6800 PR6 FS

Weights														
1.0619+N	PN10/16/25	Fig. 31./32./34.016 with gear	(kg)	37	48	73	73	88	106	146	190	263	495	575
	PN40	Fig. 35.016 with gear	(kg)	37	48	73	73	105	120	209	301	390	607	916
	PN10/16/25	Fig. 31./32./34.018 with gear	(kg)	28	33	--	53	72	74	136	167	219	457	491
	PN40	Fig. 35.018 with gear	(kg)	28	33	--	53	79	82	175	287	362	578	862
1.4408	PN10/16/25	Fig. 51./52./54.016 with gear	(kg)	39	50	76	76	92	111	151	195	269	501	582
	PN40	Fig. 55.016 with gear	(kg)	39	50	76	76	111	125	214	306	397	613	925
	PN10/16/25	Fig. 51./52./54.018 with gear	(kg)	30	35	--	55	76	78	166	173	225	463	503
	PN40	Fig. 55.018 with gear	(kg)	30	35	--	55	84	86	179	291	369	534	871

ZETRIX® process valve with electric rotary actuator


Actuator allocation on request

Type: Auma or Schiebel

- for temporary service S 2-15 min.
(or control: Auma S4 25%, Schiebel S4 40%)
- Enclosure IP 67
- Temperature guard in the motor
- Heating

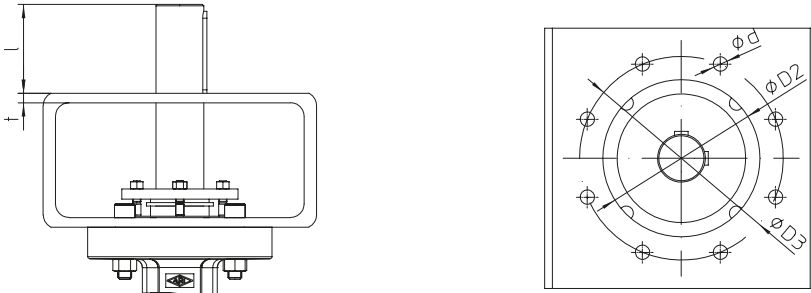
Voltages:

- 400V 50Hz (230V 50Hz)
- Other voltages on request

Accessories:

- Travel switch
- Potentiometer
- Auma Matic
- Valve positioner 0-10V / 4-20mA
- Position-transmitter

For connection refer to terminal connection in the operating instructions of the actuator!

Actuator flange connection EN ISO 5211

PN10 / PN16 / PN25

DN		80	100	125	150	200	250	300	350	400	500	600
Connection EN ISO 5211		F10		F12				F14		F16	F25	
Stem with 2 parallel keys 90°	(mm)	22 h9	28 h9	36 h9	36 h9	36 h9	36 h9	42 h9	42 h9	48 h9	60 h9	70 h9
Ø d (Hole-Ø)	(mm)	11	11	13	13	13	13	17	17	21	17	17
Ø D2 (Inside-Ø)	(mm)	70	70	85	85	85	85	100	100	130	200	200
Ø D3 (Screw-hole circle)	(mm)	102	102	125	125	125	125	140	140	165	254	254
l	(mm)	45	45	55	55	55	55	65	65	80	110	110
t	(mm)	8	8	8	8	8	8	8	8	12	14	14

PN40

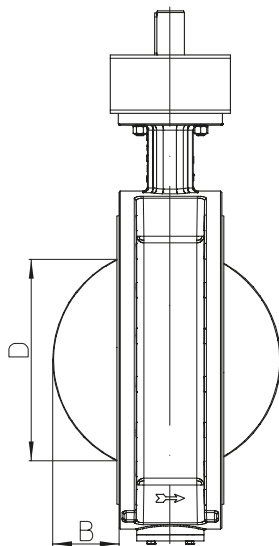
DN		80	100	125	150	200	250	300	350	400	500	600
Connection EN ISO 5211		F10		F12		F14	F16		F25		F30	
Stem with 2 parallel keys 90°	(mm)	22 h9	28 h9	36 h9	36 h9	42 h9	42 h9	48 h9	60 h9	60 h9	70 h9	80 h9
Ø d (Hole-Ø)	(mm)	11	11	13	13	17	21	21	17	17	21	21
Ø D2 (Inside-Ø)	(mm)	70	70	85	85	100	130	130	200	200	230	230
Ø D3 (Screw-hole circle)	(mm)	102	102	125	125	140	165	165	254	254	298	298
l	(mm)	45	45	55	55	65	80	80	110	110	130	130
t	(mm)	8	8	8	8	8	12	12	14	14	14	14

4-square connection on request.

Kvs-value / Zeta-value			80	100	125	150	200	250	300	350	400	500	600
PN10/16/25	Kvs-value	(m ³ /h)	100	190	345	515	1245	2110	3195	4230	5650	9260	13520
	Zeta-value	--	6,54	4,42	3,28	3,05	1,65	1,40	1,27	1,34	1,28	1,16	1,13
PN40	Kvs-value	(m ³ /h)	100	190	345	515	1020	1940	2915	3765	5090	8235	12445
	Zeta-value	--	6,54	4,42	3,28	3,05	2,46	1,66	1,52	1,69	1,58	1,47	1,34

Difference between disc outside-diameter and face-to-face for double flange design			80	100	125	150	200	250	300	350	400	500	600
DN			80	100	125	150	200	250	300	350	400	500	600
B	(mm)	--	--	--	--	28,5	43,5	57,5	77	87,4	132,5	165,5	
D	(mm)	--	--	--	--	123,3	169,3	209,6	261,3	301,6	411	503	

Difference between disc outside-diameter and face-to-face for threaded flange design			80	100	125	150	200	250	300	350	400	500	600
DN			80	100	125	150	200	250	300	350	400	500	600
B	(mm)	9	21	--	38	60	69	89	105	127	171	213	
D	(mm)	43	73,5	--	118	168,5	204	247,5	292,5	342,5	444	542	


Options

- Design acc. to EN ISO 15848-1/ TA-Luft (add. secondary sealing possible with O-rings)
- Threaded joint 1/4" with screw connection on the stem extension and/or on the bottom flange (e.g. Test-, buffer-, flushing port)
- Full metal sealing ring of 1.4571 for special applications
- Blow-out protected stem acc. to API 609
- Toxic sealing (on request)
- Heating jacket (on request)

myValve® - Your Valve Sizing-Program.

myValve® is a powerful software tool that not only helps you size your system components; it also gives you instant access to all other data about the selected product, such as order information, spare parts drawings, operating instructions, data sheets, etc., whenever you need it.

Contents:
Module ARI-process valve ZETRIX-calculation

- Sizing of flow quantity Kv, volume flow Q, pressure drop p, sound level; Selecting the valve size with given capacity; Selection of the actuator.
- Calculation of torque for actuators in flow from shaft side and flow from disc side, as well as dynamic torque curves to show the maximum value and the opening angle at which it is reached.

Media:
Integrated media-data bank (more than 160 media) with conditions:

- Vapours / gases
- Steam (saturated and superheated)
- Liquids

Special features:

- Project administration of the calculation and product data incl. spare part drawings concerning to project and tag number.
- Direct output of calculation and product data in PDF format.
- Product data could be taken for a direct order.
- SI- and ANSI-units with direct conversion to another data bank.
- Settings with over pressure or absolute pressure.
- All ARI valves are integrated in a data bank.
- Direct access concerning to the product on data sheets, operating instructions, pressure-temperature-diagram and spare part drawings
- Operation in company networks possible (no complex installations on individually PC's necessary).
- Extensive catalogue extending over several product groups.

System Requirements:

Windows operating systems, Linux, etc.



Technology for the Future.
 GERMAN QUALITY VALVES

ARI-Armaturen Albert Richter GmbH & Co. KG, D-33750 Schloß Holte-Stukenbrock,
 Tel. +49 52 07 / 994-0, Telefax +49 52 07 / 994-158 or 159 Internet: <http://www.ari-armaturen.com> E-mail: info.vertrieb@ari-armaturen.com