

**ELEKTROMET**®

technika grzewcza

# BIOMASS HEATING BOILERS

Universal heating boiler EKO-KWP 25 ns multi  
with automatic feeding of fuel, microprocessor regulation and  
fuel tank



**NEW!**



#### Feature of the boiler

- nominal power **25 kW**
- thermal efficiency ca. **90%**
- tested according to the requirements of **EN 303-5, class 3**
- reliable fuel burner
- designed and tested for burning different kind of solid fuels:  
**coal, brown coal, dust coal, wood pellets, straw pellets,  
sunflower pellets, grain**
- fuel tank with capacity of **180 L (on the left or right)**
- installation of the fuel tank and feeding on the left  
or right possible
- full automatic microprocessor- regulation REG-09
- electrical connection of external components (pumps,  
thermostat, etc.) directly to the boiler
- **safety thermostatic valve against flame back in the feeder**

Universal heating boiler EKO-KWP 25 ns multi  
with automatic feeding of fuel, microprocessor regulation  
and fuel tank



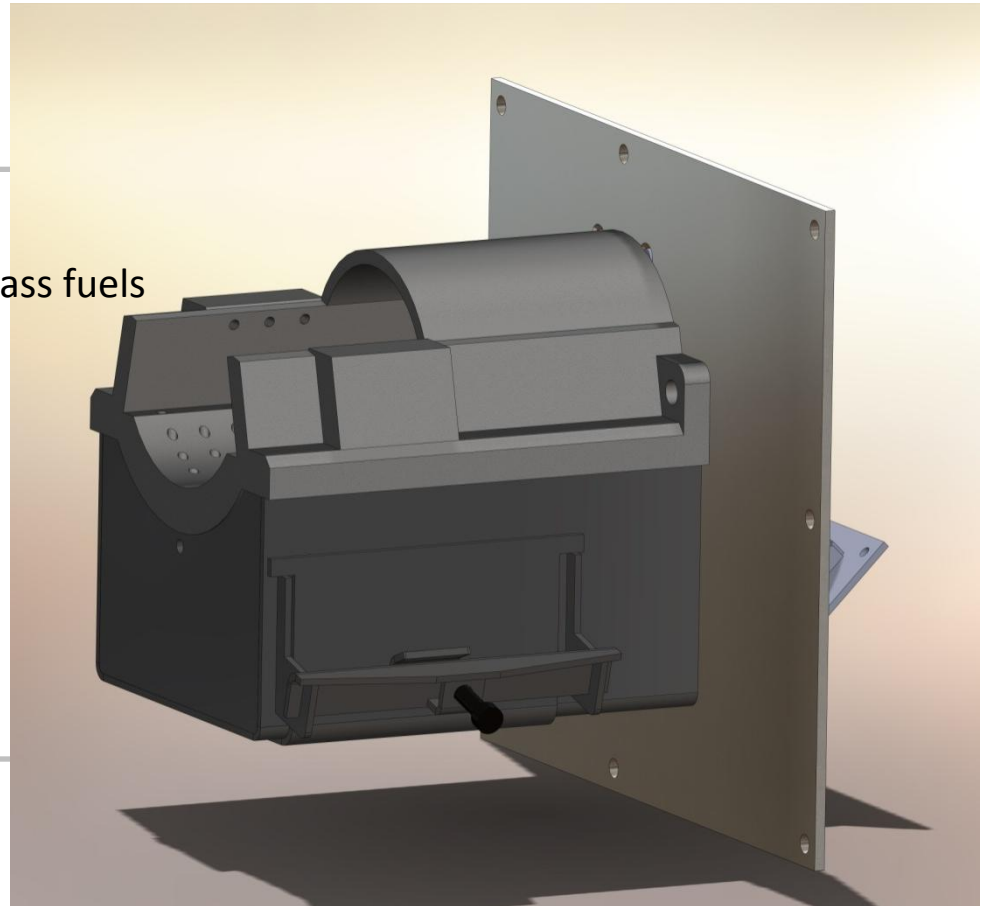


**technika grzewcza**

Universal heating boiler EKO-KWP 25 ns multi

Part of the boiler	Steel type	Thickness
Heat exchanger	P265GH	5 mm
Water jacket	S235JRG2	4 mm

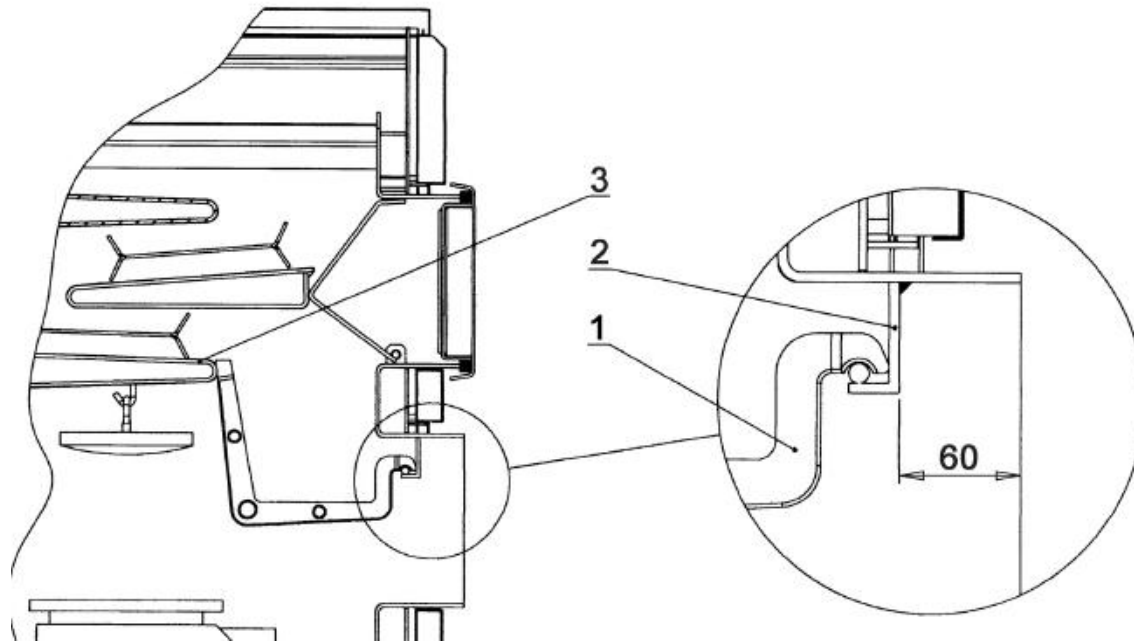
- reliable burner for different biomass fuels
- high durability
- efficiency above **90%**
- made from cast iron
- easy maintenance



Emergency cast iron grate



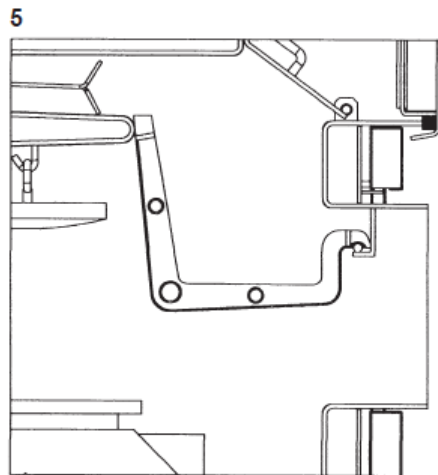
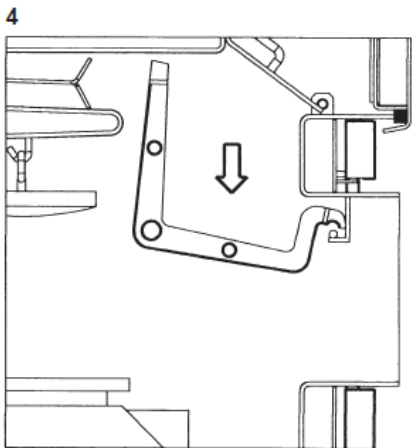
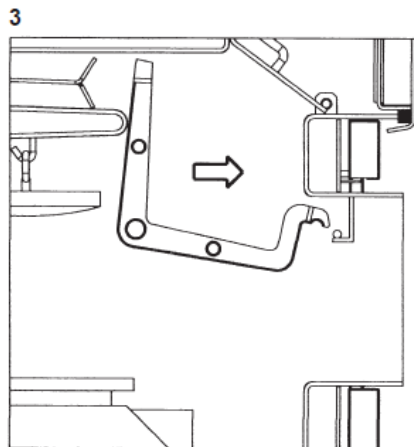
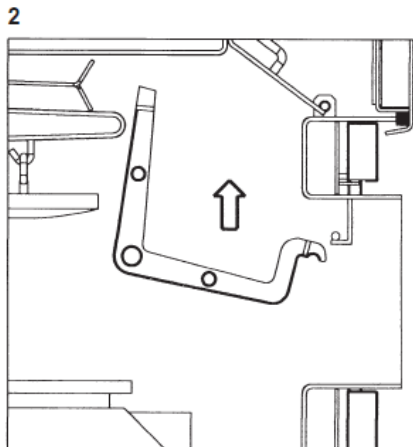
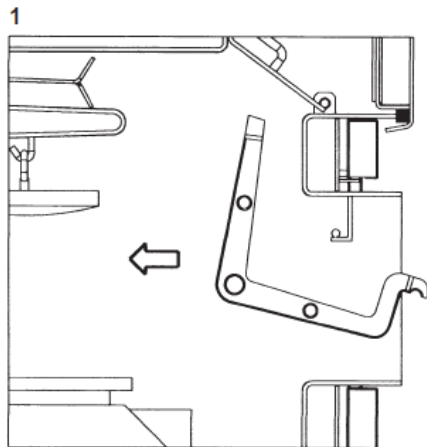
technika grzewcza



# Emergency cast iron grate



technika grzewcza





- **REG-09** for controlling:
  - fuel feeder
  - heating pump
  - water tank pump
  - circulation pump
- manufacturer's settings for 7 kind of fuels
- manual mode for burning wood on additional grate
- two memory for settings for other kind of fuel
- available languages: Polish, English, German, Czech, Slovakian, Lithuanian and Russian

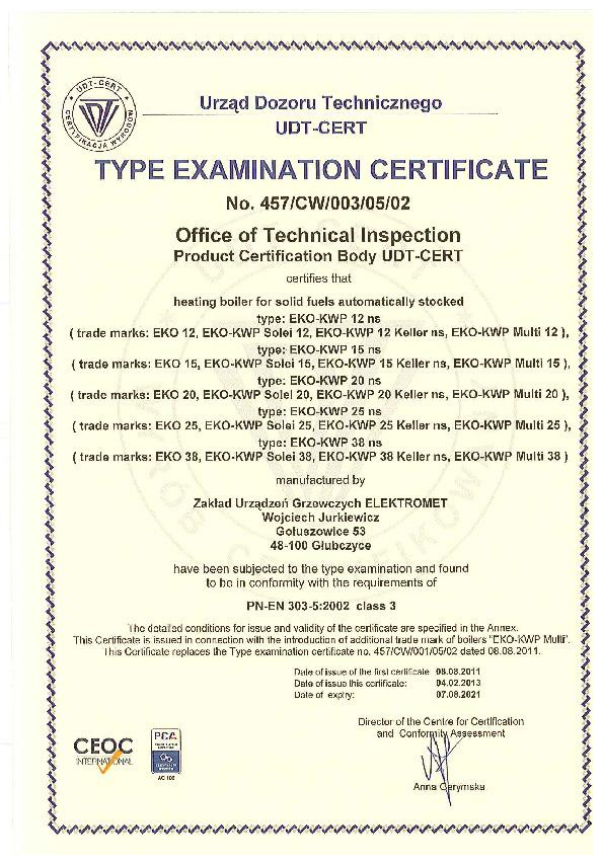




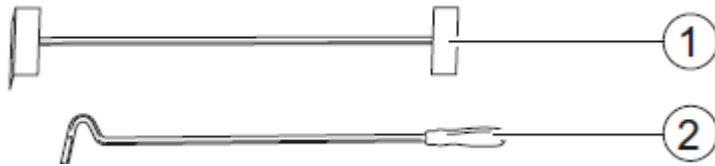
every EKO-KWP 25 ns multi is equipped with thermostatic safety valve BVT5 *Danfoss* as a **protection against back-burn**, by monitoring the temperature in the fuel feeding system

Parameter	Unit							
		black coal	brown coal	dust coal	straw pellets	wood pellets	sunflower pellets	grain (oat)
Fuel								
Nominal power	kW	25	23	14	16	25	22	19
Power range	kW	17,5 - 25	16 - 23	10 - 14	11 - 16	17,5 - 25	15 - 22	13,5 - 19
Efficiency	%	ca. 90						
Surface heat exchanger	m <sup>2</sup>	2,8						
Water capacity	dm <sup>3</sup>	ca. 108						
Max. operating pressure	bar	2,5						
Temperature control range	°C	55– 90						
Recomm. temp. of heating water	°C	65						
Diameter of chimney connector	mm	160						
Required chimney draught	Pa	10 – 20						
Boiler's connections - outlet return		3 x 1 1/2" 1 x 1 1/2"						
Boilers weight without water	kg	ca. 420						

# Pellet heating boiler EKO-KWP 25 ns multi



Parameter	Unit	25
Nominal power	kW	25
Efficiency	%	85
Fuel		Coal – eco peal
<b>Nominal power</b>		
CO / 13% O <sub>2</sub>	mg/m <sup>3</sup>	216
OGC / 13% O <sub>2</sub>	mg/m <sup>3</sup>	0
Dust / 13% O <sub>2</sub>	mg/m <sup>3</sup>	49,7
<b>Reduced power</b>		
power	kW	6,7
CO / 13% O <sub>2</sub>	mg/m <sup>3</sup>	886
OGC / 13% O <sub>2</sub>	mg/m <sup>3</sup>	47



Ash scraper

Pocking stick



③ thermostatic safety valve BVT5 *Danfoss*

Control unit REG09

- with installation material

- with needed sensors (2 x)

We invite you to cooperation with us !

**ELEKTROMET**®

**technika grzewcza**



**Z.U.G. ELEKTROMET**

Gołuszowice 53,  
48-100 Głubczyce, Poland

Tel.: +48 77 4710841

Fax: +48 77 4853724

*[www.elektromet.com.pl](http://www.elektromet.com.pl)*