



**SERIES ARC300**

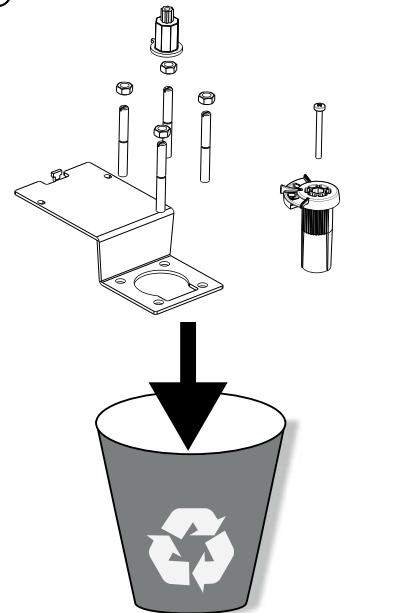
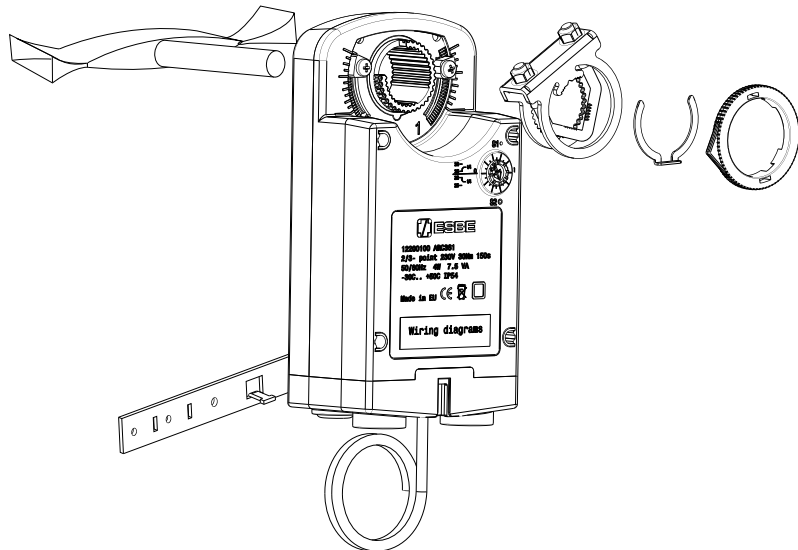
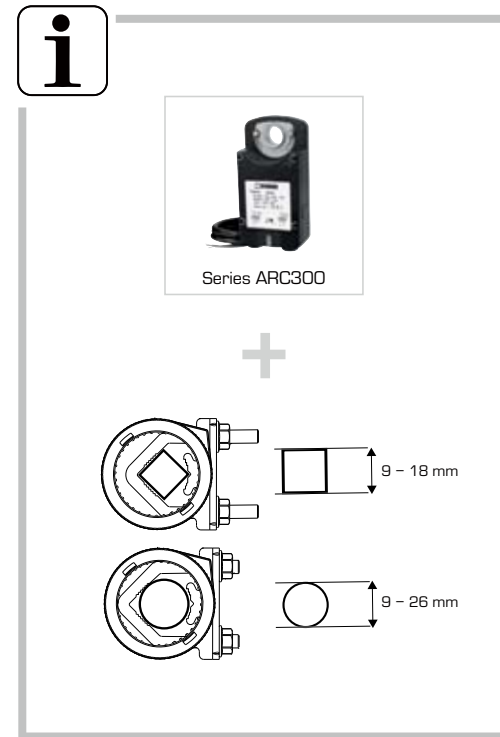
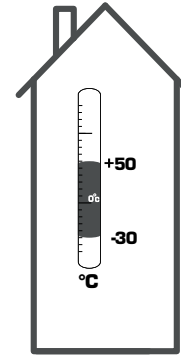
**ESBE**  
NO.1 IN HYDRONIC SYSTEM CONTROL

Mtrl.nr: 9814 09 55 • Ritn.nr 8466 vers. A • Rev 1512



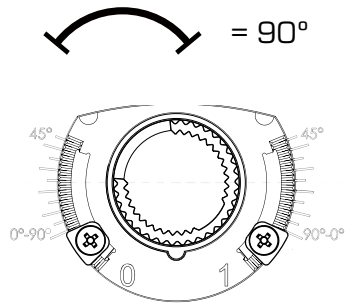
Series ARC300

CE  
 LVD 2006/95/EC valid until April 19th 2016  
 LVD 2014/35/EU valid from April 20th 2016  
 EMC 2004/108/EC valid until April 19th 2016  
 EMC 2014/30/EU valid from April 20th 2016  
 RoHS 2011/65/EU



# Actuator Settings Damper Assembly

**D  
1A**

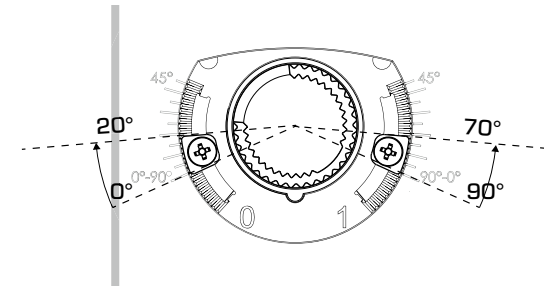
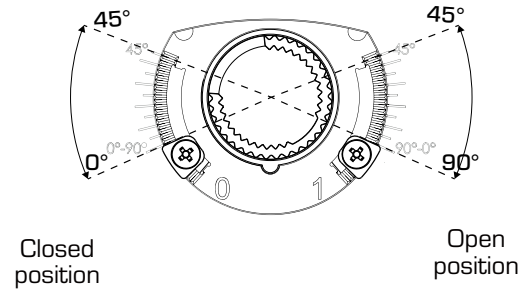


Max working range  
0° - 90°

**D  
1B**

Limiting working range • Clockwise working direction (R/CW)

Example R/CW working range 20°- 70°



**i**

ARC368/  
ARC369  
Dip Switch 4

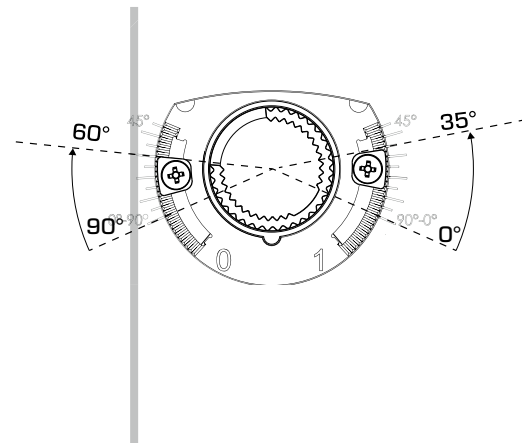
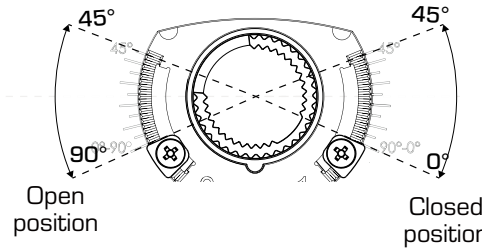


**D  
1C**

Limiting working range • Counter clockwise working direction (L/CCW)

Min working range  
45° - 45°

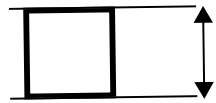
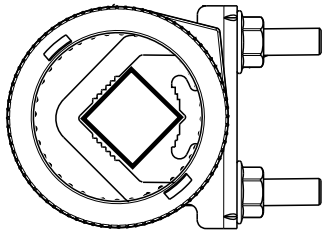
Exampel L/CCW working range 35°- 60°



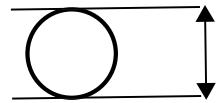
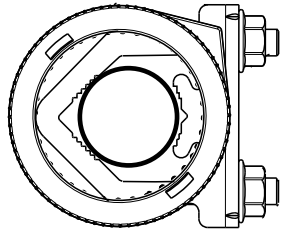
**i**

ARC368/  
ARC369  
Dip Switch 4

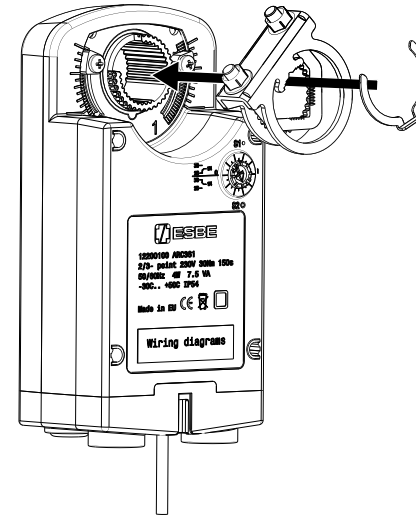


**i**

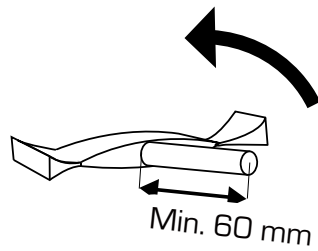
9 - 18 mm



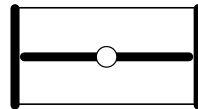
9 - 26 mm

**i****D2****D3**

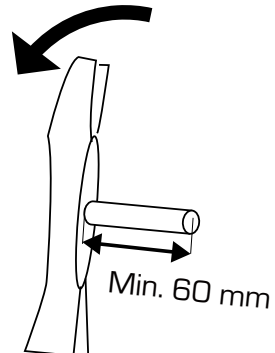
R/CW =  
Closed (0%) position



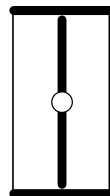
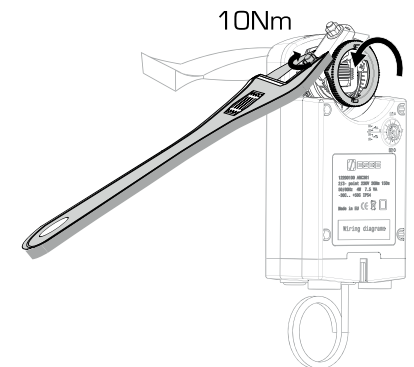
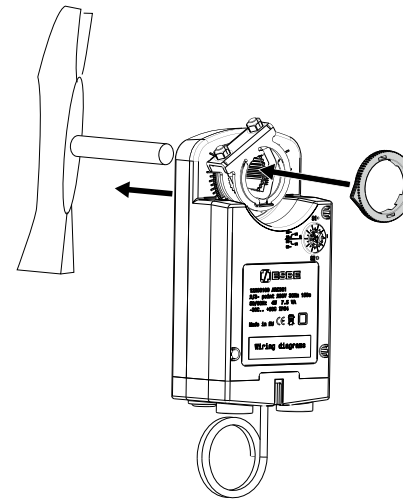
Min. 60 mm



L/CCW =  
Open (100%) position

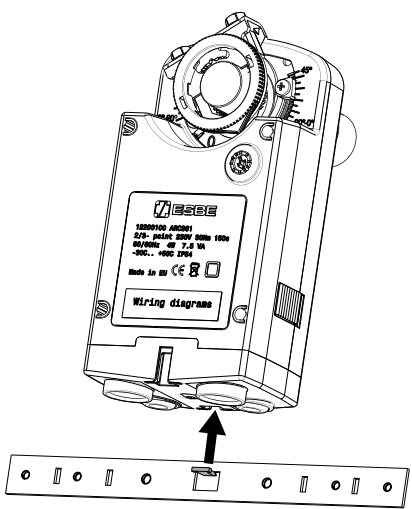


Min. 60 mm

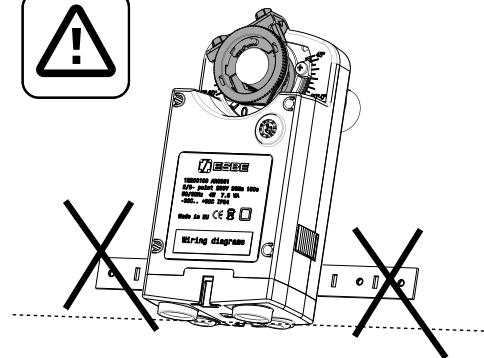
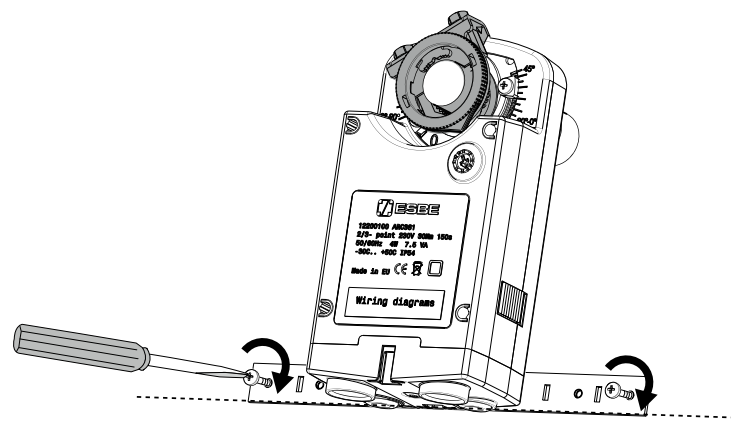
**D4**

10Nm

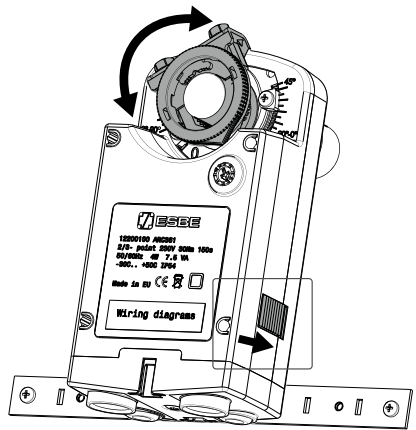
D 5



D 6



D 7



D 8



**ARC300**  
Electrical  
Settings

