

## HTSP-600F-24 (24V, 25A, 600W, PFC)

### Product Summary:

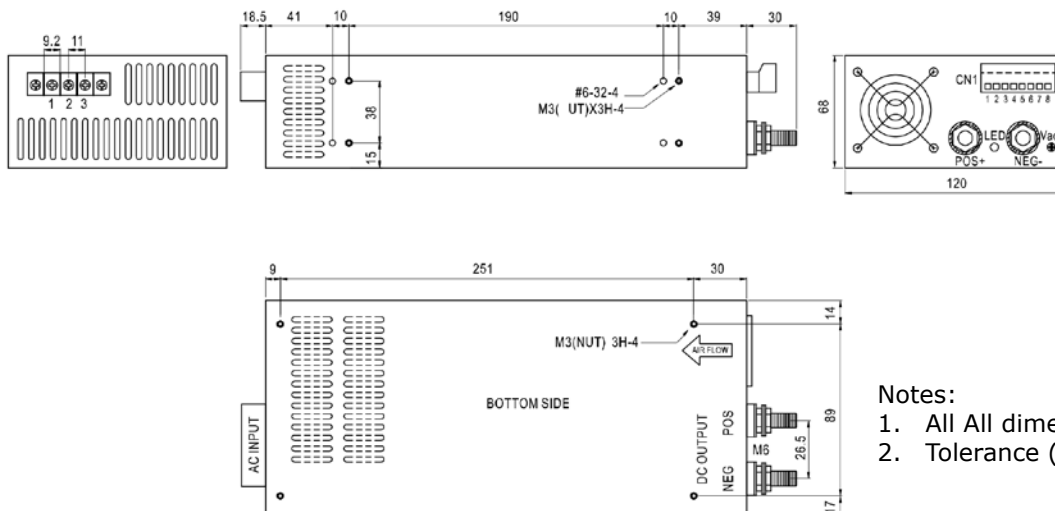


- PF>0.98@230VAC
- EMI Meets EN55022(CISPR22) Class B
- Low Power Consumption
- Approvals: UL/CUL/TUV/CB/CE
- Forced Air Cooling by Built-In DC Fan
- Built-In Remote Sense Function
- Built-In Remote ON/OFF Control
- Built-In Power Good Signal Output
- Can Adjust from 20% to 100% Output Voltage by External Control 1V to 5VDC
- 5VDC
- Protections: Over Load / Over Voltage / Over Temp. / Short Circuit
- 100% Full Load High Temperature Burn-In Test

### Technical Parameters:

Input Voltage Range	180-260VAC
Input Frequency	47-63Hz
Inrush Current	Cold Start, 15A/115VAC, 30A/230VAC
Output Adjustment Range	±3% Rated Output Voltage by Potential Meter 20% to 100% by External Control 1V to 5VDC
Line Regulation	≤0.5%
Output Over Load Protection	105%~135% Hiccup Mode, Auto-recovery
Output Over Voltage Protection	115%~145% Rated Output Voltage
Rise, Hold Up Time	50mS, 20mS at Full Load (Typical)
Hi-pot Isolation	I/P-O/P: 3KVAC, I/P-FG: 1.5KVAC, O/P-FG: 0.5KVAC
Operating Temperature Range	0°C to +40°C@100%, -10°C@80%, +60°C@60% Load
Storage Temperature Range	-40°C to +85°C, 0 to 95% RH (Non-Condensing)
Safety Standards	UL60950-1
EMC standards	EN55022 Class B EN61000-4-2,3,4,5,6,8,11, ENV50204
Cooling Method	Forced air cooling by built-in DC fan Cooling Fan ON/OFF Auto Control
Weight	1.08Kgs/pcs

Product model	DC output	Load regul.	R&N	Efficiency
HTSP-600F-12	12V, 0~50A	0.5%	120mV	84%
HTSP-600F-24	24V, 0~25A	0.5%	200mV	89%



#### Notes:

1. All All dimensions in mm.
2. Tolerance (except cable length):  
xx=±0.04  
xxx=±0.010

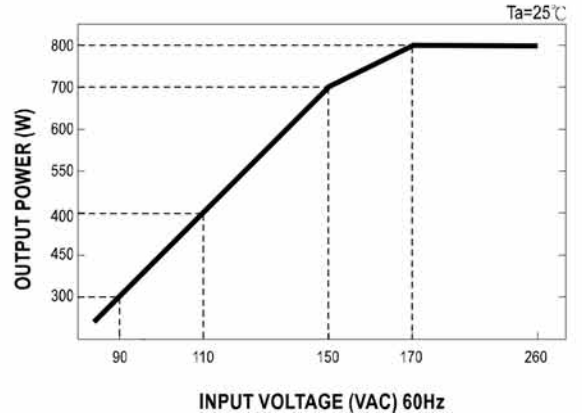
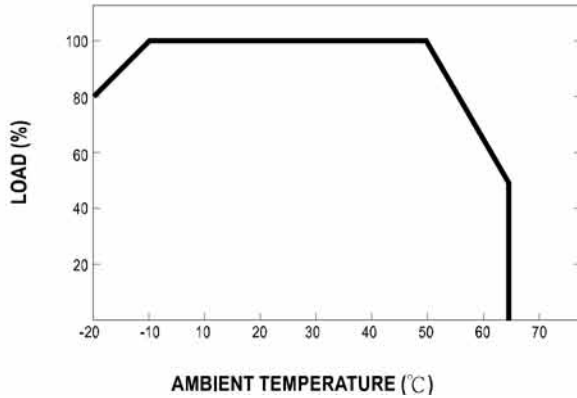
### Terminal Pin No. Assignment

Pin No.	Assignment
1	AC/L
2	AC/N
3	FG $\perp$

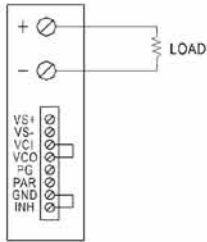
### Control terminal Pin No. Assignment (CN1) : Dinkle 51HDBC-O8P or equivalent

Pin No.	Assignment	Pin No.	Assignment	Mating With
1	VS+	5	PG	Dinkle 51SDB-O8P or equivalent
2	VS-	6	PAR	
3	VCI	7	GND	
4	VCO	8	INH	

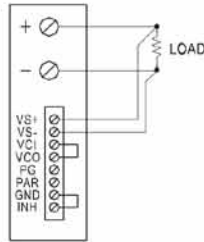
## Derating Curve:



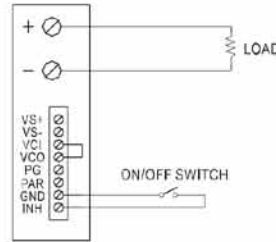
## Control Terminal Instrution Manual:



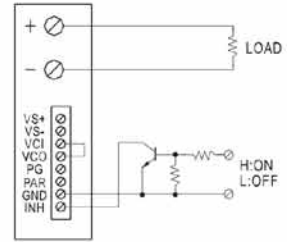
USING INTERNAL VOLTAGE CONTROL



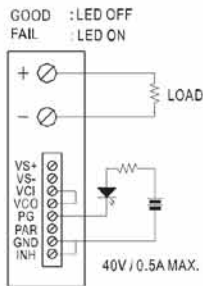
REMOTE SENSING



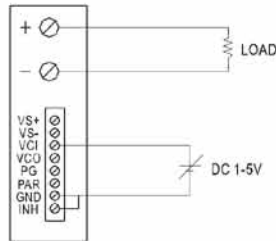
ON/OFF CONTROL BY SWITCH



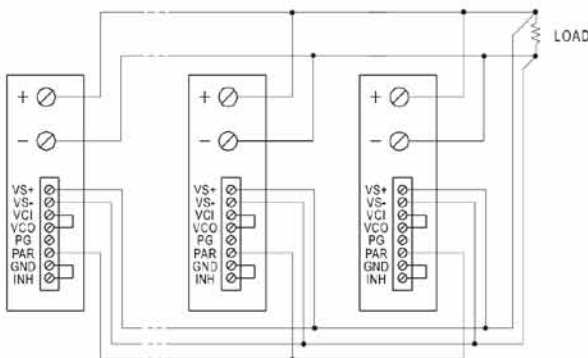
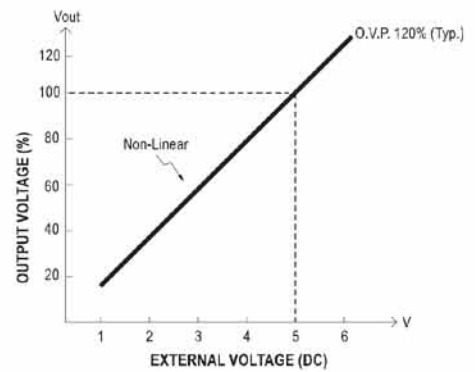
ON/OFF CONTROL BY TRANSISTOR



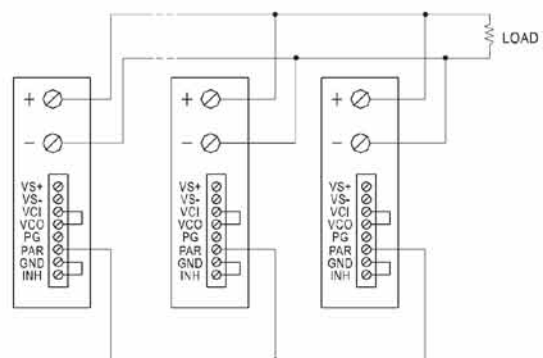
POWER GOOD SIGNAL



OUTPUT VOLTAGE ADJUST WITH DC 1-5V



PARALLEL OPERATION WITH REMOTE SENSING



PARALLEL OPERATION WITHOUT REMOTE SENSING