

ARPJ-LA421400 (60W, 1400mA)

Application

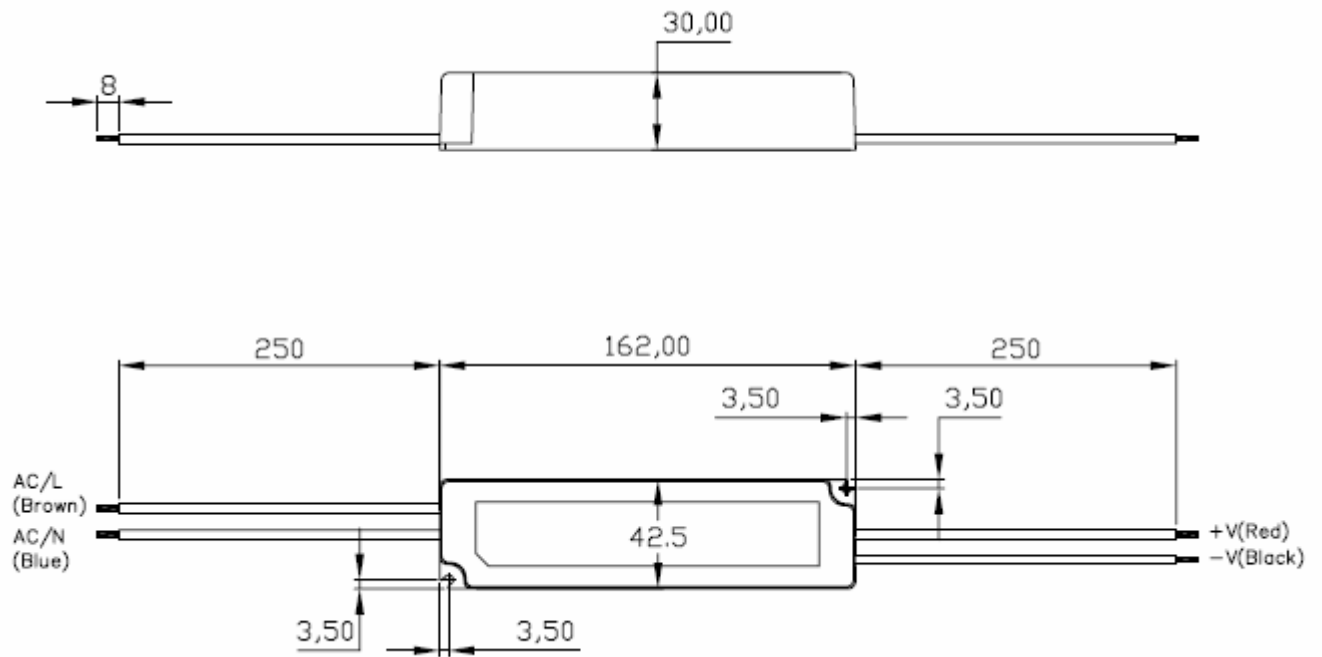
- Constant current mode power supply
- Universal AC input / Full range
- Protections: Short circuit / Over current
- Small and compact size
- UL1310 Class 2 power unit, pass LPS
- 100% full load burn-in test
- Suitable for LED lighting and moving sign applications
- 2 years warranty



Specification

| MODEL | | ARPJ-LA421400 (60W, 1400mA) |
|--------------|-------------------------------|---|
| OUTPUT | DC VOLTAGE | 48V |
| | DC VOLTAGE RANGE | 9-48V |
| | CURRENT RANGE | 1400mA ±3% |
| | RATED POWER | 60W |
| | RIPPLE & NOISE (max.) | 200mVp-p |
| | VOLTAGE TOLERANCE | ±3.0% |
| | LINE REGULATION | ±1.0% |
| | LOAD REGULATION | ±2.0% |
| | SETUP,RISE TIME | 500ms, 250ms/230VAC 500ms, 250ms/115ac at full load |
| | HOLD UP TIME(Typ.) | 50ms/230VAC 24ms/115VAC at full load |
| INPUT | VOLTAGE RANGE | 90-264VAC |
| | FREQUENCY RANGE | 47~63Hz |
| | EFFICIENCY(Typ.) | 85% full load |
| | AC CURRENT(at full load) | 1.4A/100AC 0.7A/240AC |
| | INRUSH CURRENT (max.) | COLD STAT 70A/230VAC |
| | LEAKAGE CURRENT | 0.25mA/240VAC |
| PROTEC-TION | OVER CURRENT SHORT CIRCUIT | Above 105% rated output power. Protection type: Hiccup mode, recovers automatically after fault condition is removed. |
| | OVER TEMPERATURE | Tj 140°C typically(IC1) Detect on main control IC Protection type: Hiccup mode, recovers automatically after temperature goes down |
| | | |
| ENVIRONMENT | WORKING TEMP. | -20~+50°C |
| | WORKING HUMIDITY | 20~90% RH non-condensing |
| | STORAGE TEMP., HUMIDITY | -40~80°C, 10°C~95% RH |
| | TEMP.COEFFICIENT | ±0.03%/°C (0°C~50°C) |
| | VIBRATION | 10 ~ 500Hz, 2G 10min./1cycle, period for 60min. each along X,Y, Zaxes |
| SAFETY & EMC | SAFETY STANDARDS | Design refer to UL1310 Class 2,TUV EN60950-1, EN61347-2-13, CAN/CSA C22.2 No. 223-M91, meet IP65 |
| | WITHSTAND VOLTAGE | I/P-O/P:3KVAC |
| | ISOLATION RESISTANCE | I/P-O/P:>100M Ohms / 500VDC / 25°C~70%RH |
| | EMI CONDUCTION & RADIATION | Compliance to EN55022 (CISPR22) Class B |
| | HARMONIC CURRENT | Compliance to EN61000-3-2,-3 |
| | EMS IMMUNITY | Compliance to EN61000-4-2,3,4,5,6,8,11; ENV50204, EN55024, light industry level, criteria A |
| DIMENSION | 162*42.5*30mm (L*W*H) | |

Mechanical Specification



Block Diagram

