

**Пульт SR-2803B (для MIX-ленты, 6 зон)**  
**Пульт SR-2803C (для MIX-ленты, 1 зона)**



SR-2803B



SR-2803C



**FEATURE**

- SR-2803 B/C is RF Wireless CCT Dimmer.
- SR-2803 B let you individual ly control up to 6 different zones independently or in a group.
- SR-2803B, dim WW and CW associatively , for example if WW is 70%, CW is 30%. Dim 6 zones separately or synchronously.
- SR-2803C, dim WW and CW associatively, for example if WW is 60%, CW is 40%. 1 zone. save 6 color temperature.
- Push dim function

**PARAMETER**

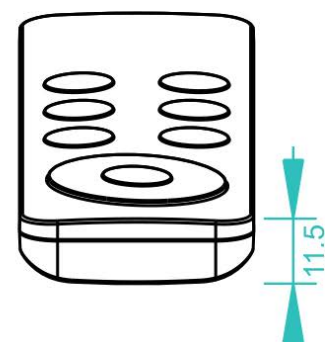
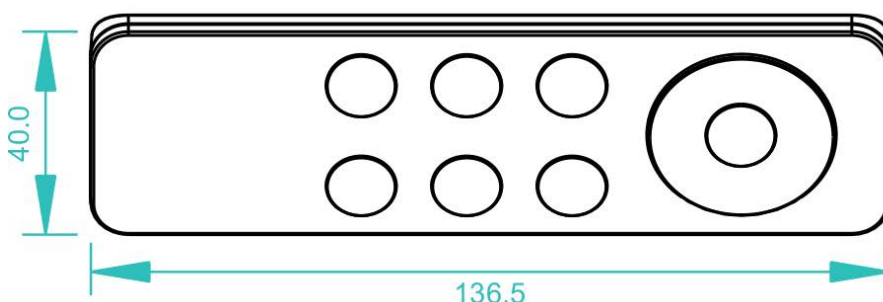
• **Remote**

Part No.	Operation Voltage	Operation Frequency	Dimension ø/h (mm)	Remarks
SR-2803B	3VDC	868MHz	39x136.5x10.7	Battery CR2025
SR-2803C	3VDC	868MHz	39x136.5x10.7	Battery CR2025

• **Receiver**

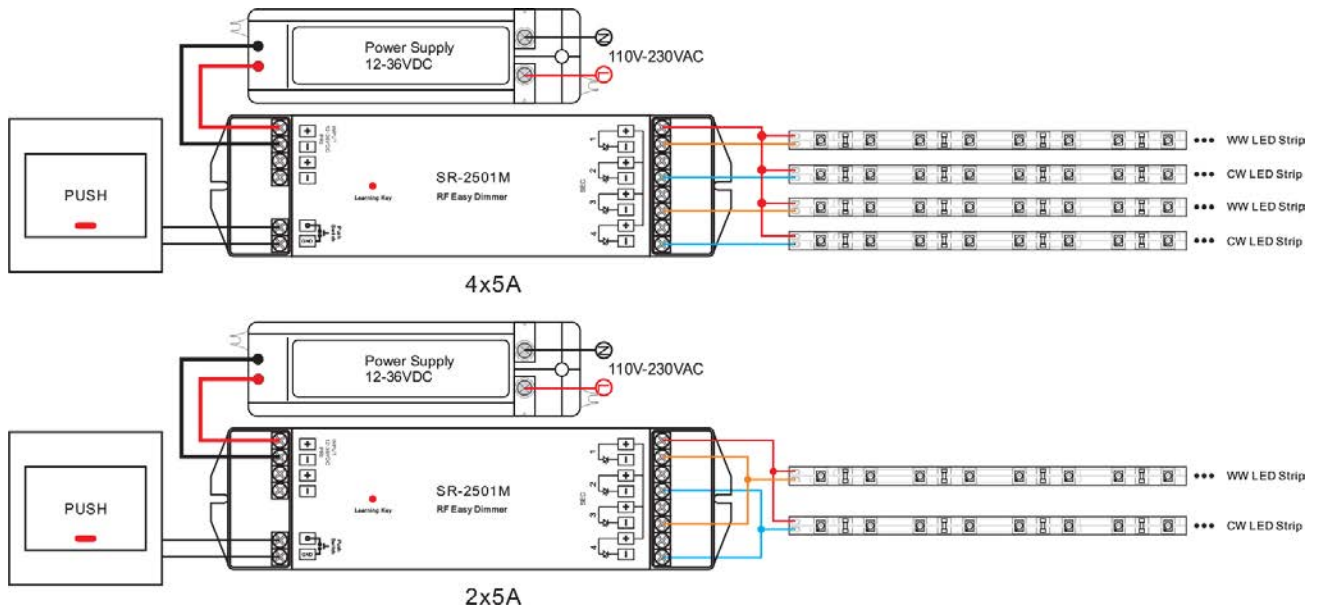
Part No.	Iuput Voltage	Current	Output	Remarks
SR-2501M	12-36VDC	4x5A	4x(60-180)W	Constant voltage
SR-2501MEA	12-36VDC	4x8A	4x(96-288)W	Constant voltage
SR-2502M	12-36VDC	4x350mA	4x(4.2-12.6)W	Constant current
SR-2503M	12-36VDC	4x350mA	4x(8.4-25.2)W	Constant current

**PRODUCT SIZE**

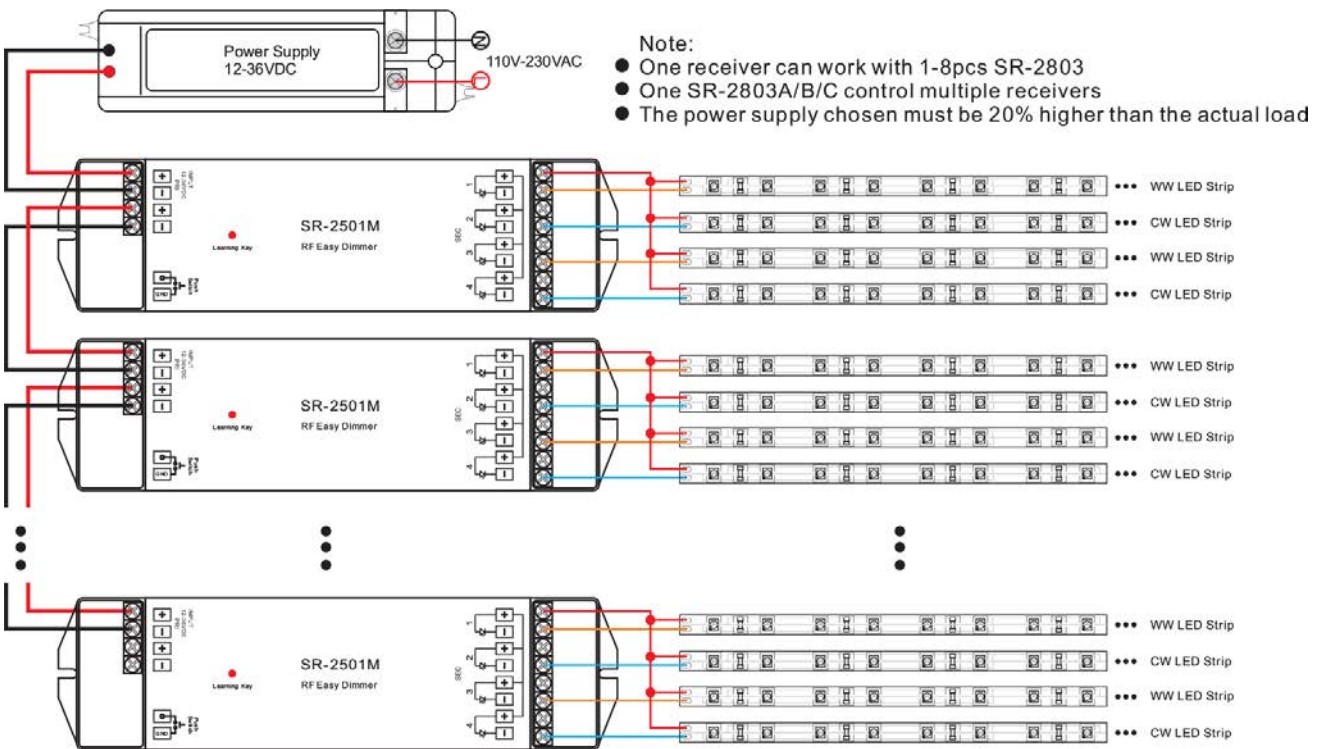


# WIRING DIAGRAM

## Receiver Connection Diagram for Single Unit



## Receiver Connection Diagram for Multiple Units



# BRIEF INTRODUCTION OF BUTTONS

## SR-2803B

ON/OFF button

Control CW

Control WW

Turn Up your selected zones' receives' (4 channels together) LED lights

Turn Down your selected zones' receives' (4 channels together) LED lights

1 2 3 4 5 6 Six zones

- **SR-2803C**

⏻ ON/OFF button

CW Control CW

WW Control WW

☀ Turn Up your selected zones' receives' (4 channels together) LED lights

☁ Turn Down your selected zones' receives' (4 channels together) LED lights

S1 S2 S3 S4 S5 S6 Save six color temperature

## OPERATION

After you have wired all the receivers according to Figure illustration you need to do the following:

1. Pull off the plastic film cover of the battery at the back of remote.
2. If you use multiple receivers, you have 2 choices:
  - 1) Have all receivers in the same zone like Zone 1 for example
  - 2) Have each receiver in a different zone, like Zone 1, 2, 3 and so on
3. In order for each receiver to know what Zone it belongs to, you will need to "pair" it to the zone you wish to use: short press the Learning Key on the receiver, and immediately short press the zone number (1-6) which you wish to use (for example 1).  
Once you do that, the LED lights will blink once. Now your remote and receiver are paired!
4. Do the same for the other receivers if you use them.

This wireless receiver can work in any of the 6 zones. It has a special "Learning Key" that will enable you to pair it to any of the 6 zones in the wireless remote control. You can add as many optional receivers as you wish, to create up to 6 different control zones. Each zone can have an endless number of receivers.

### Memory Reset:

In case you want to reset the memory of the receiver, press the learning function button for 10 seconds while the unit is being powered. The unit will then reset to factory defaults.

### Re-Assign Zone:

Re assigning the receiver to a different zone is easy, just repeat Step 3 as above.

⏻ button to turn ON/OFF all zones' LED lights.

Long press the zone number for 3 seconds to turn OFF that zone separately (for example 1), and you can turn it ON only by long press that zone number again, but Not the power button.

After ID learning between remote and receiver, press the zone number (for example 1) to select the zone you want to control.

Regarding SR-2803C saving color temperature, first choose CCT you like, short press S1, the light will be blink, it means you save this CCT to S1, then you also can save other 5 CCT to S2-S6. Just press S1-S6, can recall 6 CCT you saved separately.

*Note: If the max brightness is set by , then, you can not turn UP beyond that max brightness by .*

## SAFETY & WARNINGS

1. The product shall be installed and serviced by a qualified person.
2. IP20. Please avoid the sun and rain. When installed outdoors, please ensure it is mounted in a water proof enclosure.
3. Always be sure to mount this unit in an area with proper ventilation to avoid overheating.
4. Please check if the output voltage of any LED power supplies used comply with the working voltage of the product.
5. Never connect any cables while power is on and always assure correct connections to avoid short circuits before switching on.
6. Please ensure that the cable is secured tightly in the connector
7. For update information please consult your supplier.