


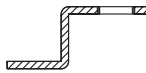


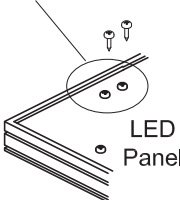


Material composition

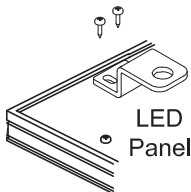
x4 pcs	x4 pcs	x4 pcs	x4 pcs	x8 pcs	x4 pcs
					
plastic expansion screw	M4*25 self-tapping screw	lifting device	hanging part	M3*8.5 screw	M3*10 screw

Installation

1 Remove the screws of this positions

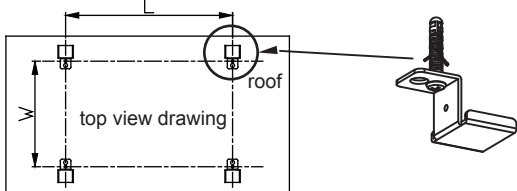


2 fix the hanging parts with M3*8.5 screws self-tapping screws

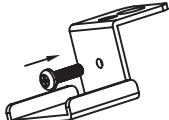


3

size of panel (mm)	L*W(mm) Mounting Dimensions
600X600	541*500
620X620	566*525
300X300	241*200
300X600	541*200

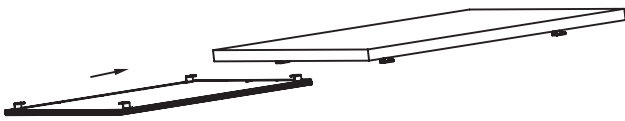


4



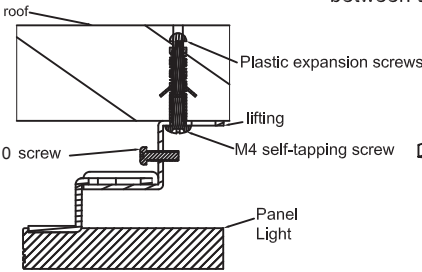
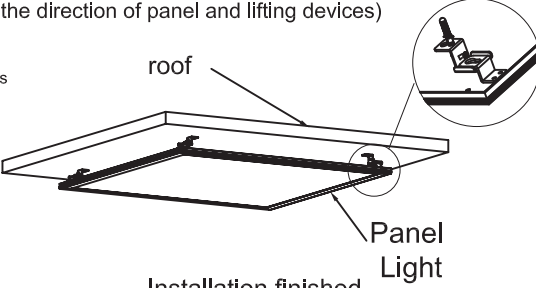
To fix these four lifting devices on the roof with screws according to the size shown in the illustration

Nailing M3 x10 screws into lifting devices in the direction as the arrow shown. Attention: The screws should not be nailed to the bottom



Putting the panel on the lifting devices in the direction as illustration showed (pay attention to the combination between the direction of panel and lifting devices)

5

Installation finished