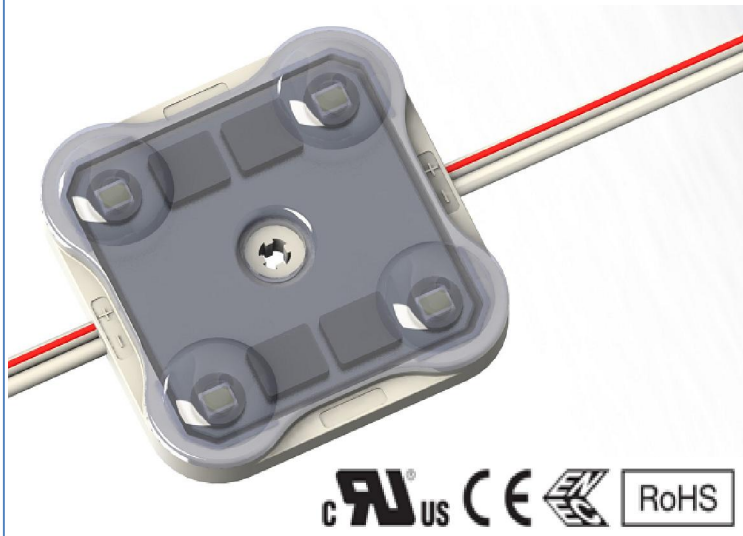


## UL listed Injection Module



## Areas of application

- Signage and illuminated advertising.
- Best for 180~350mm depth light boxes and channel letters.
- Permanent outdoor use in enclosed light boxes or channel letters.

## Product features

- Chain of 20 pcs LED modules.
- High efficiency LED.
- High color consistency (MacAdam 4).
- Beam characteristic: 160°.
- Protection class of LED module: IP67.
- Flexible chain, can be split between any module.
- Mounting with screw or premounted double-sided adhesive tape possible.
- Nominal life-time up to 50,000 h (at tc 50°C).
- Module size:  
42 x 42 x 10 mm.

## Application data

Max connection number	20 pcs
Distance of modules (wire)	250 mm
Ambient temperature ta	-25 ~ +50 °C
Max. temperature on module tc	65 °C
Storage temperature ts	-40 ~ +85 °C
Risk group (EN 62471:2008)	1
Certification list	CE/UL/ENEC/RoHS

## Technical data

Product Name	Nominal voltage <sup>③</sup>	Color temperature or Wavelength <sup>①②</sup>	CRI <sup>①②</sup>	Typ. Flux per module <sup>①②</sup>	Typ. Power per module <sup>①②</sup>	Luminous efficacy
<b>ARL-BEST2835-4-2W-12V</b>	12.0 V	2700~3300 K	>70	168 lm	2 W	84.0 lm/W
<b>ARL-BEST2835-4-2W-12V</b>	12.0 V	6500~7000 K	>70	168 lm	2 W	84.0 lm/W
<b>ARL-BEST2835-4-2W-12V</b>	12.0 V	8000~17000 K	>70	168 lm	2 W	84.0 lm/W

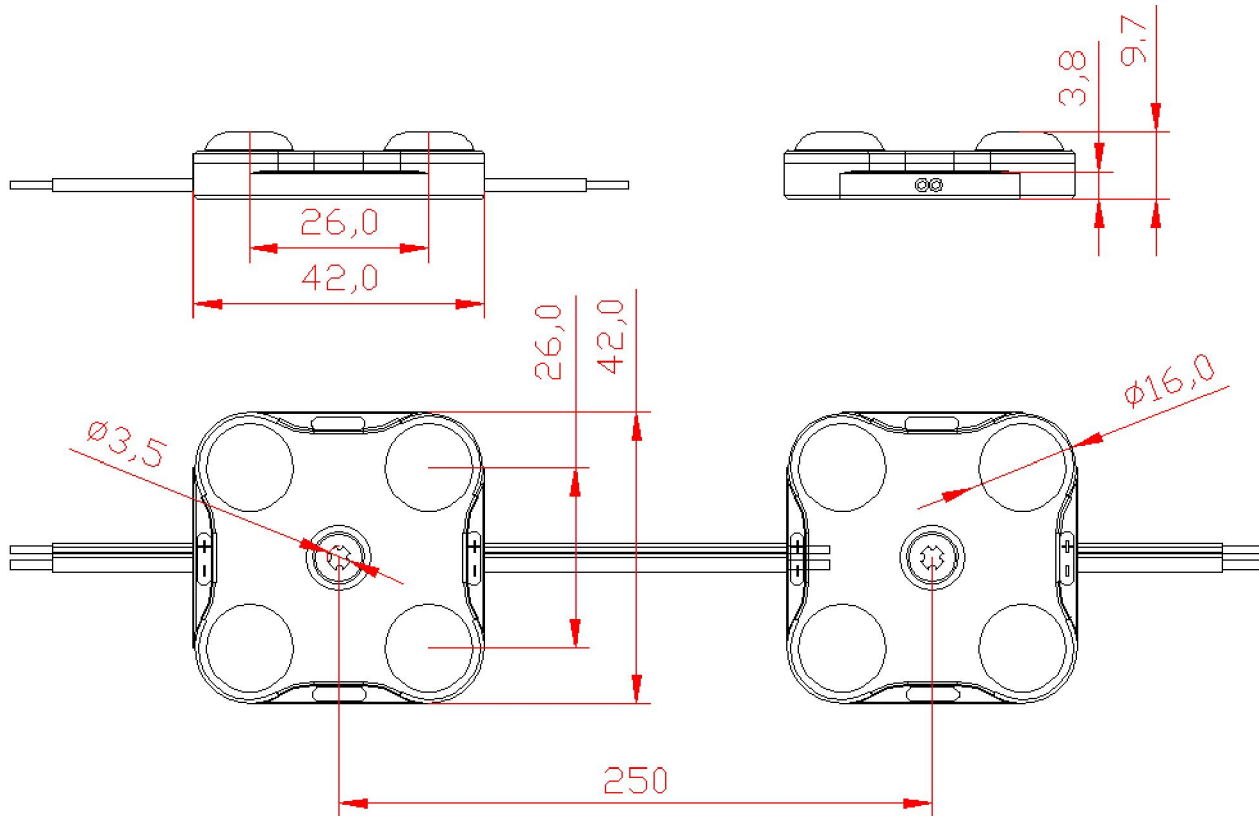
① Tolerance range for optical and electrical data: -15/+15 %.

② All value @ ta=25°C.

③ Tolerance range for the supply voltage: 12 V: ±5 %.

# Product Specification

## Product 2D drawing (unit: mm)



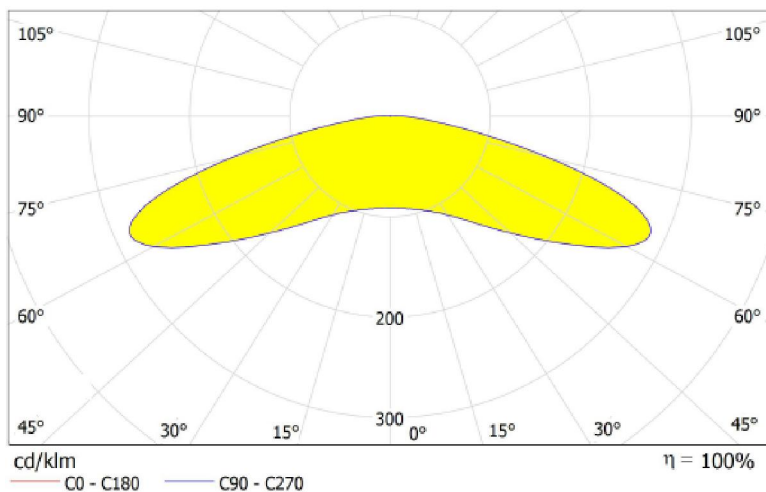
## Wiring type

Cable	UL 1007 18AWG	
Color	red - white	white
Function	+	-

Wiring example:

## Light distribution

Beam characteristics 160°



# Product Specification

---

## Notes:

- The power cable should meet the actual maximum current and power.
- All the end point of wire should be treated with waterproof;
- Pay attention to the maximum number of connections, prohibit overloading.
- All the power supply must has the corresponding certification.
- Our company reserves the right of final interpretation.
- Subject to change without notice.