

Серия smd 5050 3 Led

ARL-LM5050-3 Red / Green / Blue / Yellow / White / Warm White

Product specification

Injection Module adopts ABS material as its shell. There is transparent epoxy resin around the lights with good insulativity. Comprehensive performance is good with excellent electrical performance, impact strength and wear resistance, chemical resistance, moisture content, shaping and excellent machining technology.



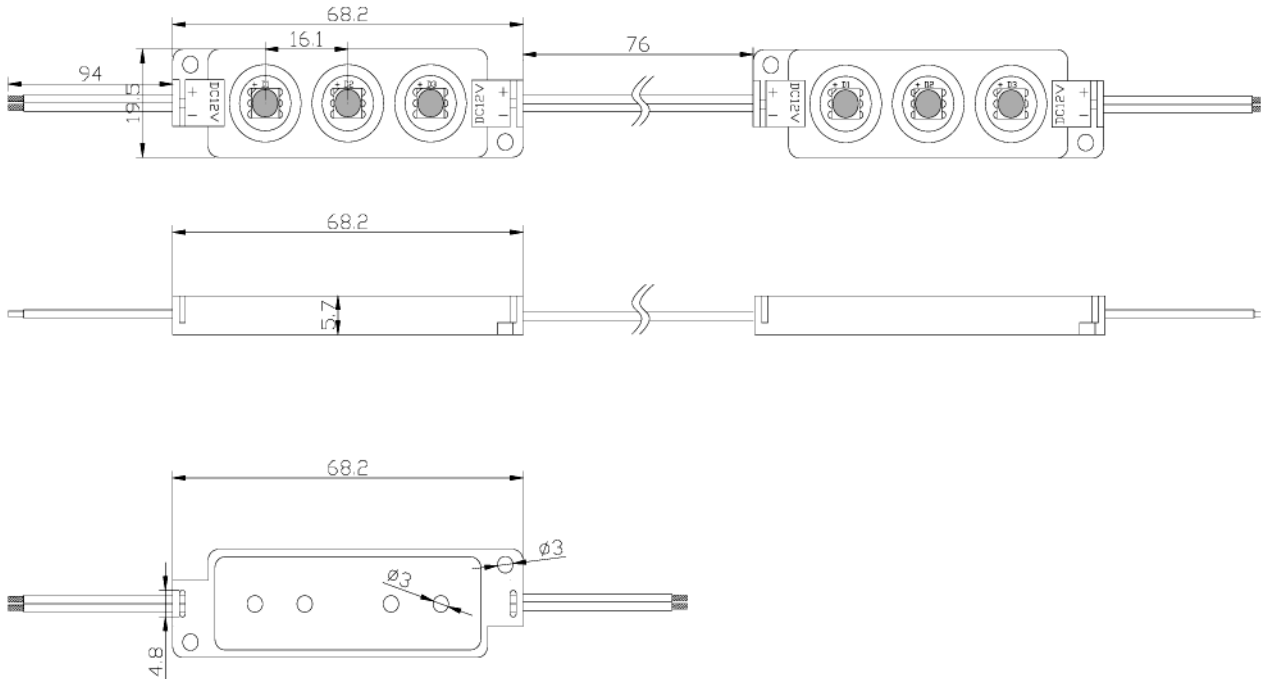
It is completed through injection in one time. It solves the problem that nonuniform sealing, dirty shell and LED stand out of the glue etc. It is simple artwork with good appearance and short lead time as well. It has good cold resistant available for -20~40°C. There are 3M adhesive tape and screws for customers to fix it in easy installation.

It is widely used for emitting letters, advertisement, indoor decoration, partial lighting, etc



Part No	ARL-LM5050-3
LED Quantity	3 Pcs
Input voltage	DC 12V
Input current	0.0453 A
Input Power	0.544W
Power factor	>0.9
Power efficiency	>90%
Projection distance	±1m
Luminous	42.948
Lighting efficiency	>80%
color temperature	6000±500K
Coloration Index	Ra>75
Working temperature	-20~40°
Storage temperature	The storage temperature is -25~60°C in no operating mode
Life Span	>30000Hrs
Material	ABS & epoxy resin
Dimension	68.2x19.5x5.7mm
Net weight	8g
IP Rank	IP65
Quantity	1/20

Dimension:



Indoor and outdoor lighting



Warning!

Please do not connect power supply when the light is still in box.

Please do not connect high voltage before the installation, and make sure that the fixture connect the earth. Change the protection cover completely if it was broken.

Pay attention to anti-fire, anti-electricity and anti-shake.



Please kindly read the instructions before installation, and keep it well for your future reference.

Notice

Caustic or dissolvent chemicals may damage the protection crust.

Normal working temperature : $-35\sim-40^{\circ}\text{C}$, if overrun the range, it will effect the lifespan of lamp. Storage temperature is $-25\sim60^{\circ}\text{C}$.

Common failures and solutions:

- If the lamp can not light up, please check whether it connects power supply well and whether the switch is on.
- If the lamps frequently turn on and off, please check whether the connection between power and lamp is fixed enough.

Note: Please contact with technicians in case of above solutions don't work.

Attention:

- Please do not use rough or cleanser to wipe this products, do not use high press water to wash this product that it would be harmful for the waterproof components.
- Please do not use sharp conents to stab this products, or it does harm for internal components.
- Please do not force the products
- After reaching the lifespan please contact your local relative authority or retailer to ask for recycle suggestion.
- Recommended working environment temperature is -20~40°C
- Please do not working if the fixture or wire damage, please check it regular
- Should be installed by professionals

Remarks: If there is any change for the product, we won't inform again.

If any confusion about the specification, please ask for qualified engineers.