



PREMIUM  
LINE  
GLASS

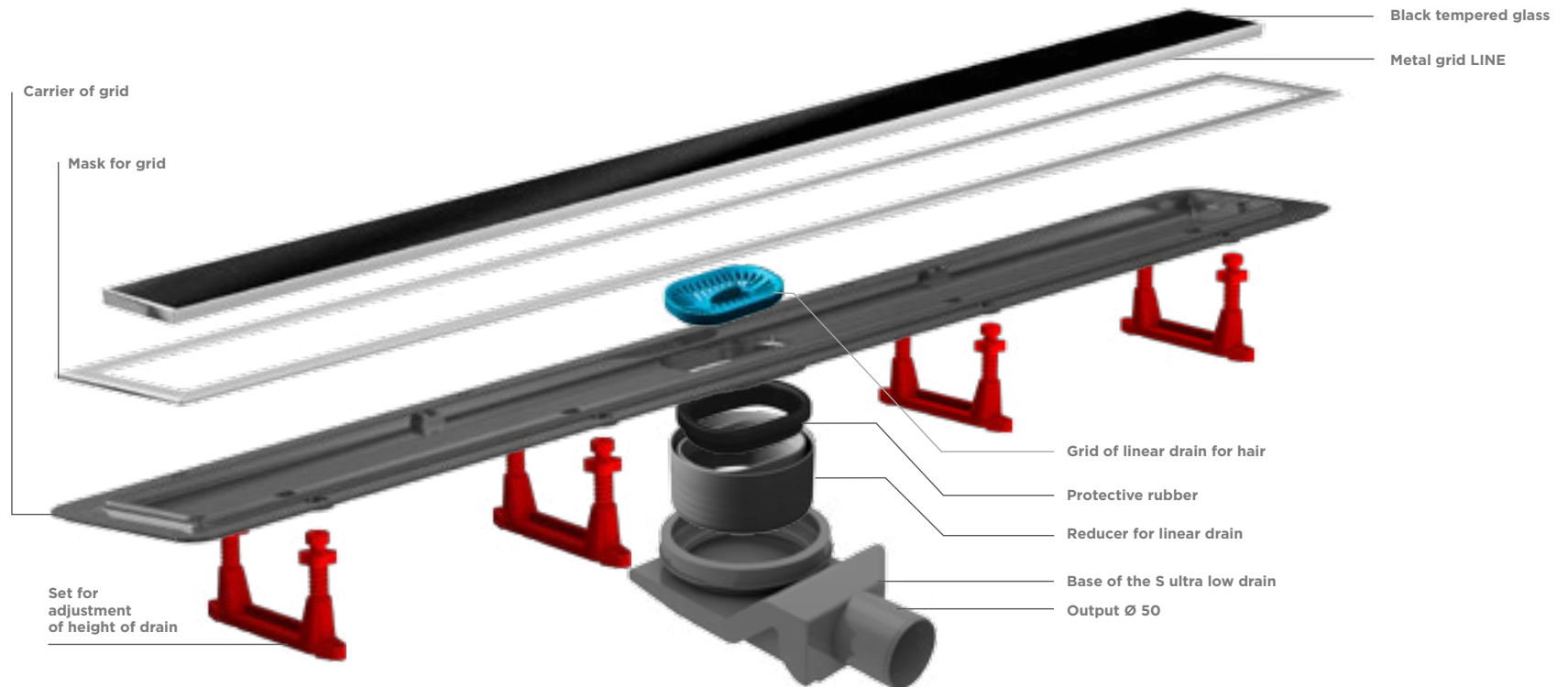




# SETS OF DRAINS CONFLUO PREMIUM GLASS

AVAILABLE SIZES:  
300mm / 450mm / 550mm / 650mm / 750mm / 850mm

| LINE 300                   | LINE 450                   | LINE 550                   | LINE 650                   | LINE 750                   | LINE 850                   |
|----------------------------|----------------------------|----------------------------|----------------------------|----------------------------|----------------------------|
| Article number<br>13100039 | Article number<br>13100080 | Article number<br>13100081 | Article number<br>13100014 | Article number<br>13100013 | Article number<br>13100012 |

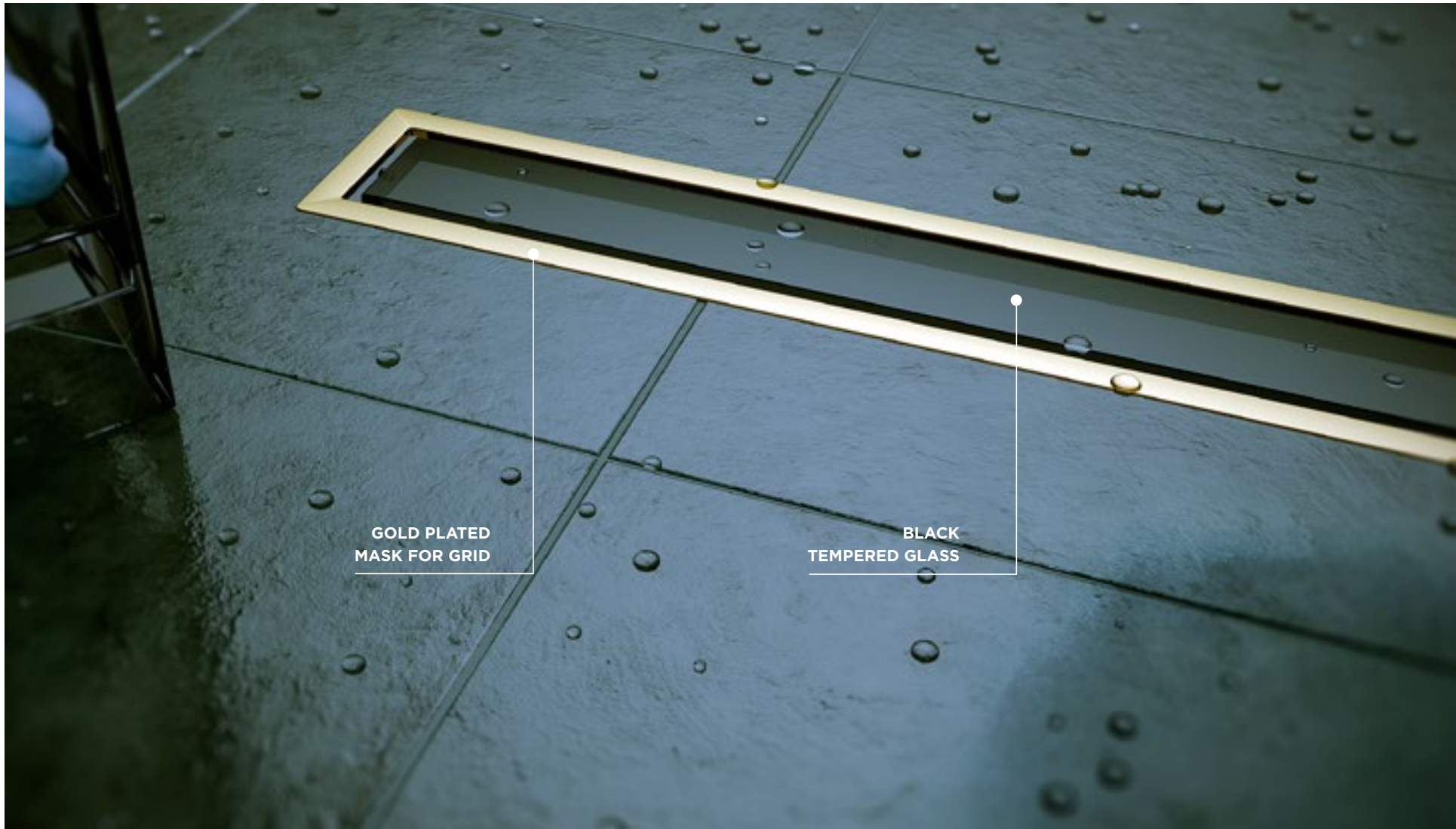


|                                |                                |  |  |
|--------------------------------|--------------------------------|--|--|
| <b>MAXIMAL FLOW</b><br>48 L/mm | <b>MINIMAL HEIGHT</b><br>52 mm | 10 year warranty on grids<br><b>CLASS K3</b><br>Maximum allowed up to 300 kg | Type of steel<br><b>AISI 304</b><br>Optional <b>AISI 316</b> |
|--------------------------------|--------------------------------|--|--|

REFERENCE\*  
Drains 300, 450 and 550 have one set for height adjustment.



|                      |                      |                      |
|----------------------|----------------------|----------------------|
| LINE 300<br>13100082 | LINE 450<br>13100083 | LINE 550<br>13100084 |
| LINE 650<br>13100085 | LINE 750<br>13100086 | LINE 850<br>13100087 |



GOLD PLATED  
MASK FOR GRID

BLACK  
TEMPERED GLASS

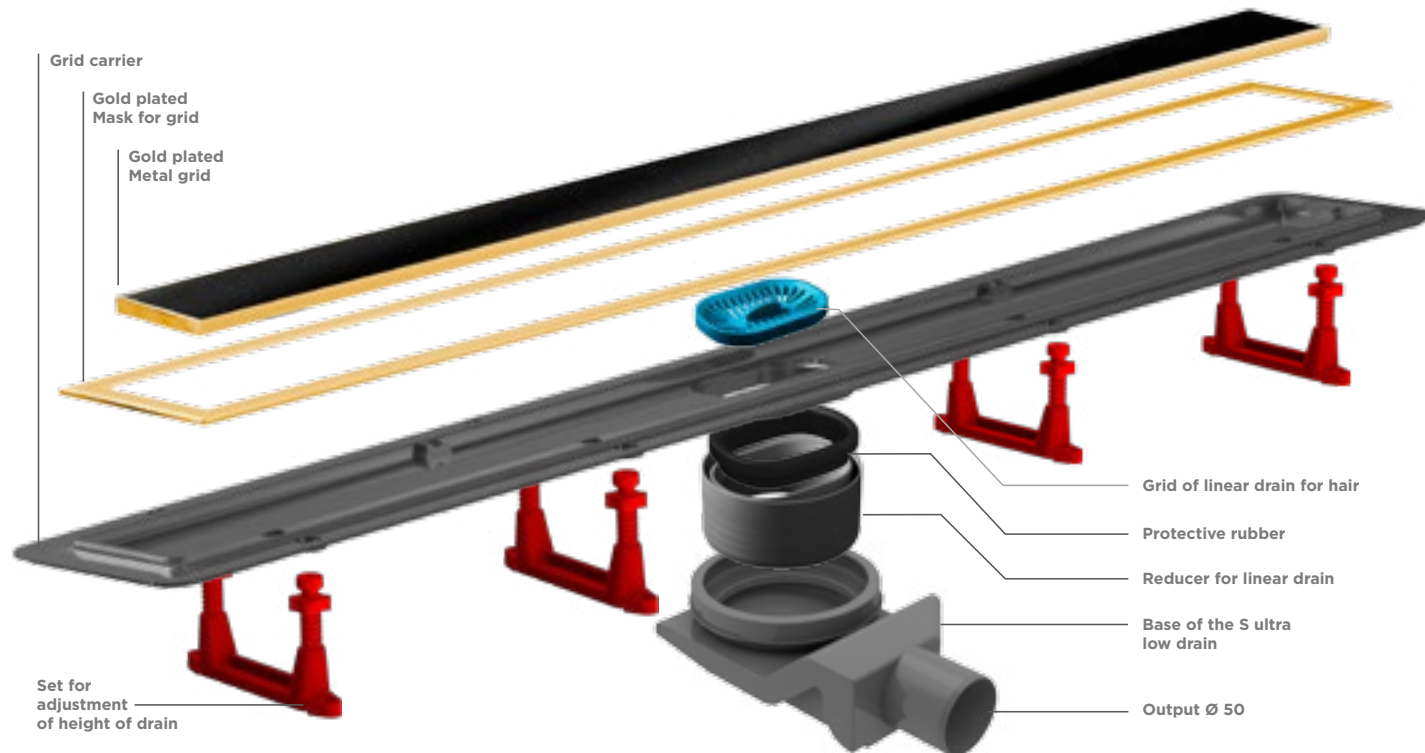
# SETS OF DRAINS CONFLUO PREMIUM GOLD GLASS

AVAILABLE SIZES:

300mm / 450mm / 550mm / 650mm / 750mm / 850mm

| GOLD 300                   | GOLD 450                   | GOLD 550                   | GOLD 650                   | GOLD 750                   | GOLD 850                   |
|----------------------------|----------------------------|----------------------------|----------------------------|----------------------------|----------------------------|
| Article number<br>13100094 | Article number<br>13100095 | Article number<br>13100096 | Article number<br>13100097 | Article number<br>13100098 | Article number<br>13100099 |

6μ the thickness of the gold plating **24K GOLD**



|                                       |                                     |  |   |
|---------------------------------------|-------------------------------------|--|---|
| <b>MAXIMAL FLOW</b><br>↓↓↓<br>48 L/mm | <b>MINIMAL HEIGHT</b><br>↕<br>52 mm | 10 year warranty on grids<br><b>CLASS K3</b><br>Maximum allowed up to 300 kg | Type of steel<br><b>AISI 304</b><br>Optional<br><b>AISI 316</b> |
|---------------------------------------|-------------------------------------|--|---|

REFERENCE\*  
Drains 300, 450 i  
550 have one set for  
height adjustment.



|                             |                             |                             |
|-----------------------------|-----------------------------|-----------------------------|
| <b>LINE 300</b><br>13100093 | <b>LINE 450</b><br>13100092 | <b>LINE 550</b><br>13100091 |
| <b>LINE 650</b><br>13100090 | <b>LINE 750</b><br>13100089 | <b>LINE 850</b><br>13100088 |