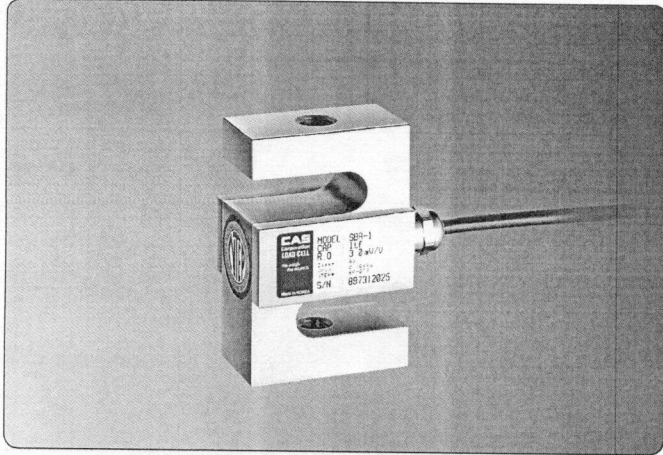


SBA

S-Beam Load Cell



LOAD CELL



FEATURES

- OIML C3 Approved (OIML R60)
- NTEP III 5,000S Approved (Handbook 44)

ACCESSORY OPTION

- Rod End (25~100kg : M6 x 1.0)
- Rod End (200~1000kg : M12 x 1.75)
- Rod End (2000~5000kg : M18 x 1.5)

OPTIONS

- OIML C3 Approved (OIML R60)
- NTEP III 5,000S Approved (Handbook 44)
(Pound & Imperial thread Ver.)

SPECIFICATION

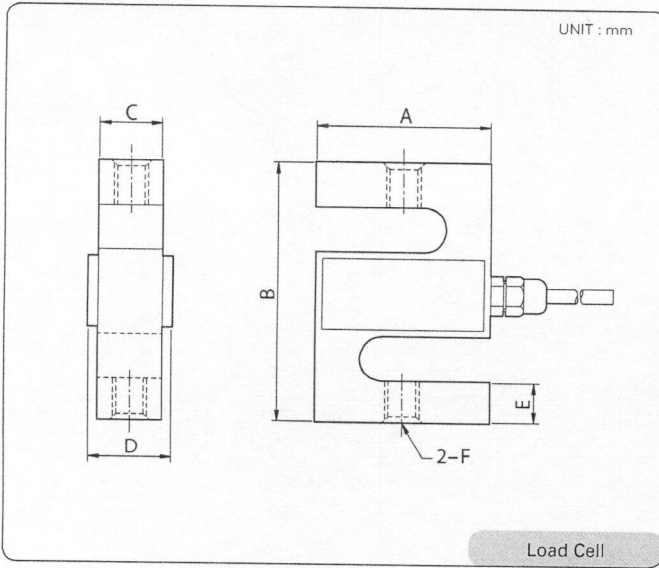
Max. Capacity (Rated Load)	kg	25, 50, 100, 200, 500, 1K, 2K, 3K, 5K	
Rated Output	mV/V	3.0 ± 0.3	
Zero Balance	mV/V	0.0 ± 0.03	
Accuracy Class	-	D3	C3
Non-Linearity	% R.O.	≤0.03	≤0.02
Hysteresis	% R.O.	≤0.03	≤0.02
Combined Error	% R.O.	≤0.03	≤0.02
Repeatability	% R.O.	≤0.01	≤0.01
Creep for 30min.	% R.O.	≤0.03	≤0.017
Return for 30min.	% R.O.	≤0.03	≤0.017
Resolution	-	≤1/3000	≤1/5000
Division	mV/V	0.0067	0.0004
Temperature Effect on	-	-	-
_Zero Value	%/10°C	≤0.028	≤0.028
_Output Value	%/10°C	≤0.015	≤0.015
Excitation	-	-	-
_Recommended	V	10	
_Maximum	V	15	
Resistance	-	-	-
_Input	Ω	400 ± 3.5	
_Output	Ω	350 ± 3.5	
_Insulation	MΩ	>2000	
Compensated Temperature Range	°C	-10 to +40	
Operating Temperature Range	°C	-30 to +80	
Material & Plate	-	Nickel Plated Steel	
Cable Specification	-	ø5.4 × 4p × 3M (Urethane - Jacket)	
Safety Overload	% R.L.	150%R.L.	
Platform Size	mm	No Platform Type	

SBA

S-Beam Load Cell

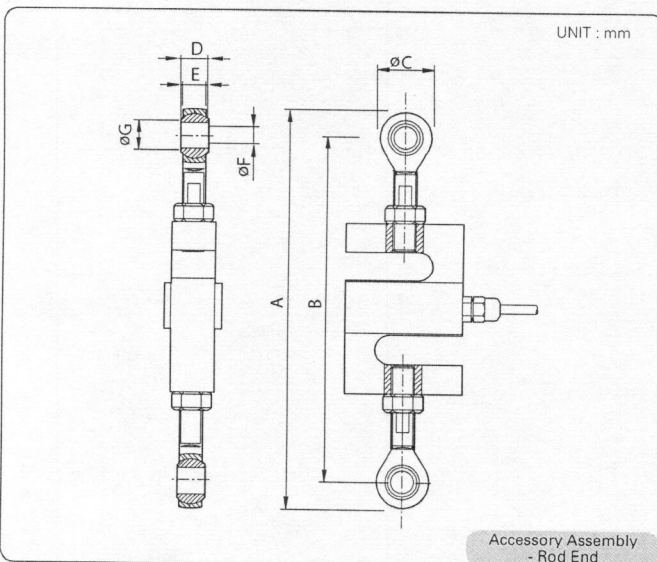


● DIMENSION



Load Cell

Capa.	A	B	C	D	E	F
25	50.8	63.5	12.7	20	10.3	M6 X 1.0
50						
100						
200	51	76	19	27	12.6	M12 X 1.75
500						
1K	51	76	25.4	33	12.6	M12 X 1.75
2K	77	108	25.4	33	19	M18 X 1.5
3K						
5K						
	77	108	25.4	33	19.5	M18 X 1.5



Accessory Assembly
- Rod End

● ACCESSORY FEATURES

- Over Load under 150%
- Easy Rod End installation
- Bearing included structure

● MANUAL

- Install the Rod End on the upper and bottom side of the Load Cell
- Do not insert the Rod End until the end
- The Rod End should be in a perpendicular with the force direction of the Load Cell

Capa.	A	B	C	D	E	F	G
25	134.1 (Max)	115.6	18.5	9	6.8	9	12
50							
100							
200	211.1	177.1	34	16	12	12	15.4
500							
1K	318	258	60	23	22	18	21.9
2K							
3K							
5K	317	257	60	23	22	18	21.9