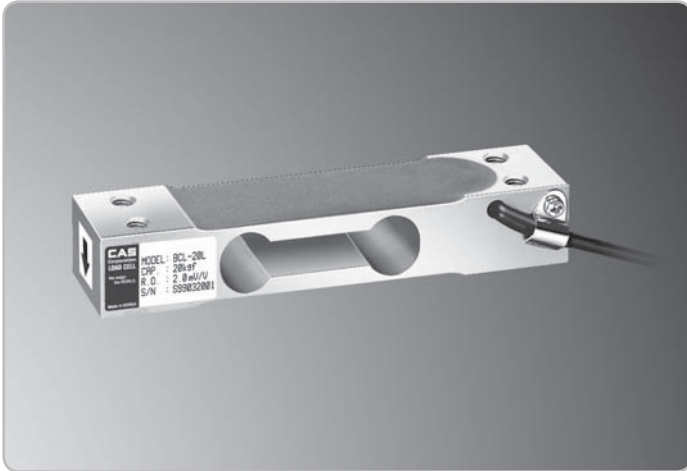


BCL

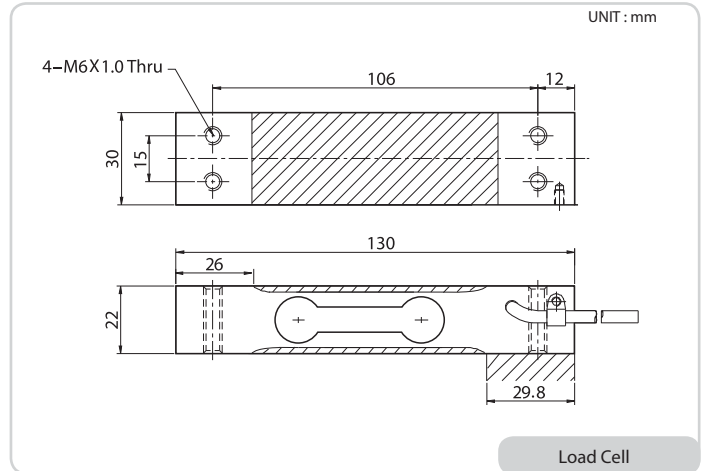
Single Point Load Cell, 6kgf-30kgf



LOAD CELL



DIMENSION



FEATURES

- Low cost
- Low profile
- Off center compensated (OIML R76)
- Protection Class IP65
- PTB and OIML C3 approved (OIML R60)
- 6-wires connection

SPECIFICATION

| Max. Capacity (Rated Load) | kg | 6, 10, 15, 20, 30 | |
|-------------------------------|--------|------------------------|----------|
| Rated Output | mV / V | 2.0 ± 0.2 | |
| Zero Balance | mV / V | 0.0 ± 0.1 | |
| Accuracy Class | - | D3 | C3 |
| Non-Linearity | % R.O. | 0.03 | 0.025 |
| Hysteresis | % R.O. | 0.03 | 0.025 |
| Combined Error | % R.O. | 0.03 | 0.025 |
| Repeatability | % R.O. | 0.01 | 0.01 |
| Creep for 30min. | % R.O. | 0.03 | 0.017 |
| Return for 30min. | % R.O. | 0.03 | 0.017 |
| Resolution | - | ≤ 1/3000 | ≤ 1/4000 |
| Division | mV / V | 0.00067 | 0.0005 |
| Temperature Effect on | - | - | - |
| Zero Value | % / 10 | 0.028 | 0.014 |
| Output Value | % / 10 | 0.014 | 0.011 |
| Excitation | - | - | |
| Recommended | V | 10 | |
| Maximum | V | 15 | |
| Resistance | - | - | |
| Input | Ω | 400 ± 20 | |
| Output | Ω | 350 ± 3.5 | |
| Insulation | MΩ | >2000 | |
| Compensated Temperature Range | | -10 to +40 | |
| Operating Temperature Range | | -20 to +70 | |
| Material & Plate | - | Anodized Aluminum | |
| Cable Specification | - | ø4 x 4p x 60cm (P.V.C) | |
| Safety Overload | % R.L. | 150% R.L. | |
| Platform Size | mm | 300 x 300 | |