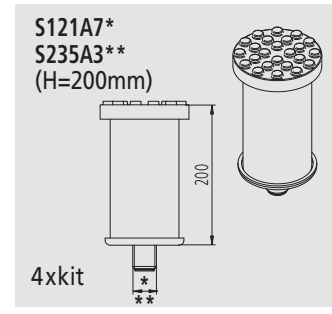
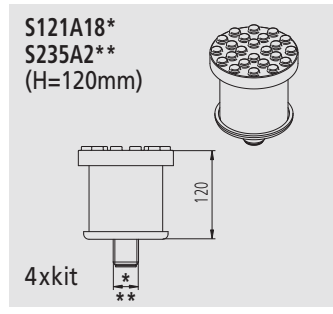


• ACCESSORI PER DUE COLONNE • ACCESSORIES FOR 2 POST LIFT • ZUBEHÖR FÜR 2-SÄULEN-HEBEBÜHNEN
 • ACCESSORIES POUR DEUX COLONNES • ACCESORIOS PARA DOS COLUMNAS



STANDARD ARMS
*M30 THREAD
CAPACITY ≤3200 kg (kit of 4)

STANDARD ARMS
**M33 THREAD
CAPACITY >3200 kg (kit of 4)

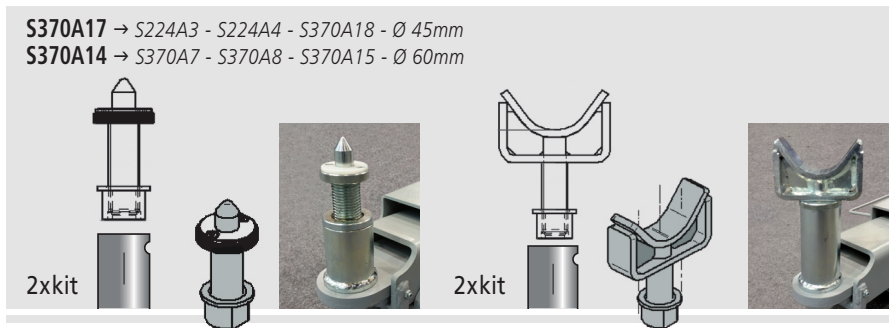
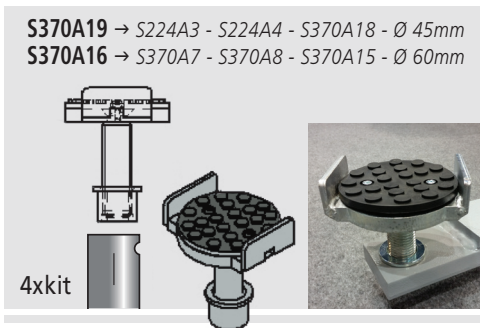
For Fiat Ducato, Peugeot Boxer, Citroën Jumper
Distanziali / Spacers / Abstandstücke / Rehausses / Espesores



* K - LIK - LIKT ARMS Ø 45mm
** 70LIK ARMS Ø 60mm
*** R ARMS Ø 55mm



For Fiat Ducato, Peugeot Boxer, Citroën Jumper
Distanziali / Spacers / Abstandstücke / Rehausses / Espesores



Supporti presa telaio / Frame adapters / Halterungen für Chassisaufnahme / Supports prise sur chassis / Espesores de agarre sobre chasis

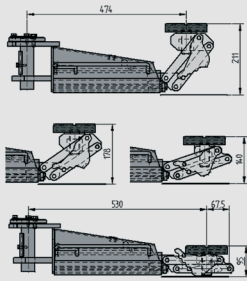
For Mercedes Sprinter, VW LT+Crafter
Supporti / Adapters / Halterungen / Supports / Adaptadores de agarre



Supporti presa telaio / Frame adapters / Halterungen für Chassisaufnahme / Supports prise sur chassis / Espesores de agarre sobre chasis

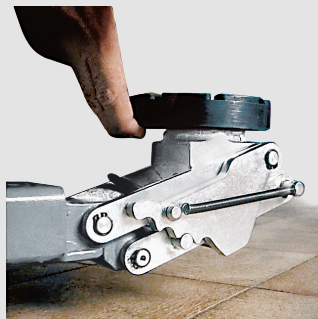
Supporti presa telaio / Frame adapters / Halterungen für Chassisaufnahme / Supports prise sur chassis / Espesores de agarre sobre chasis

Kit supporto distanziali
Spacer supports
Satz Halterung Distanzhülsen
Supports pour rehausses
Soportes para espesores



MULTI HEIGHT PAD

CAPACITY ≤3500kg



S305A14
S336A1
S234A1

Tampori Estensibili

- 4 altezze (95, 140, 178, 211mm)
- posizionamento rapido
- si alza con due dita e scende tirando il cavalletto
- ulteriore regolazione a vite di 40mm

Tampons Extensibles

- 4 hauteurs (95, 140, 178, 211mm)
- positionnement rapide
- levage avec deux doigts et descente en tirant le câble
- réglage ultérieur à vis de 40mm

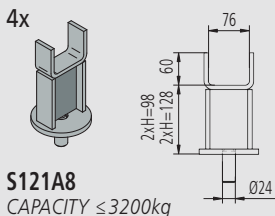
Flip-up Pads

- 4 heights (95, 140, 178, 211mm)
- quick positioning
- two fingers to push up the pad and lowering by pulling the cable
- further 40mm screw adjustment

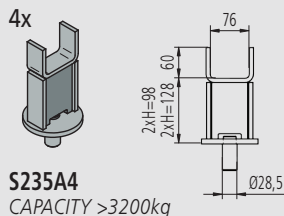
Tacos Extensibles

- 4 alturas (95, 140, 178, 211mm)
- colocación rápida
- se levanta con dos dedos y se baja tirando el cable
- 40mm más de altura ajustables a rosca

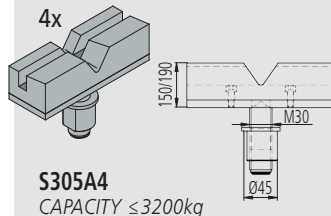
- S305A14/S Fornito installato in fabbrica in sostituzione dei tamponi esistenti
- S336A1/S Fitted in factory instead of standard pads
- S234A1/S Satz Aufnahmen wie ohne /S Satz bereits werksseitig montiert
- S370A2/S Fournis installés en remplacement des tampons existants
- S5.337A7X2/S Tacos suministrado ya instalados en lugar de los tacos normales



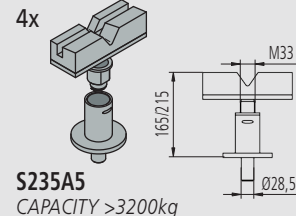
S121A8
CAPACITY ≤3200kg



S235A4
CAPACITY >3200kg

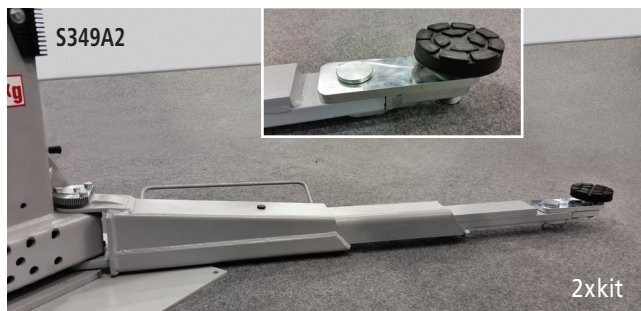


S305A4
CAPACITY ≤3200kg



S235A5
CAPACITY >3200kg

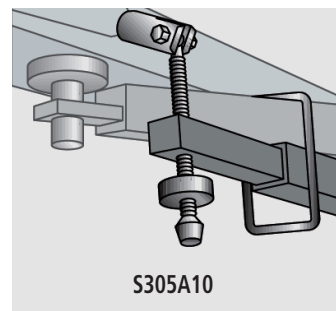
For Mercedes 460 range



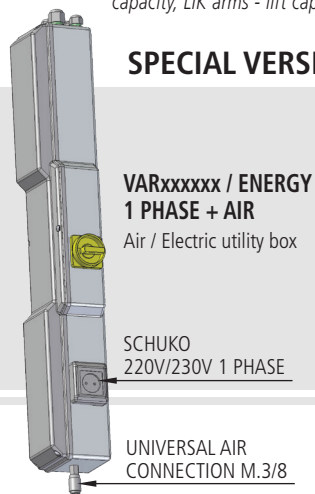
Arm Extension (→For baseless lift, electromechanical synchronization, 4,2 ton capacity, LIK arms - lift capacity reduced to 3,5ton)



Set parasportelli / Set of door protections / Satz Türanschläge / Kit protection portes / Juego de protecciones para puertas.

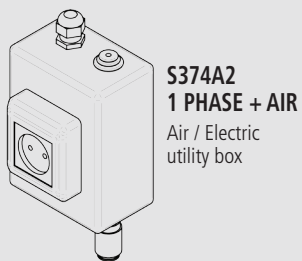


Barra trattenimento veicolo / Vehicle locking bar / Halterung / Barre de blocage voiture / Bloqueo de seguridad.
For Mercedes



SPECIAL VERSIONS Energy Set

VARxxxxxx / ENERGY 1 PHASE + AIR
Air / Electric utility box



S374A2
1 PHASE + AIR
Air / Electric utility box

S121A2A

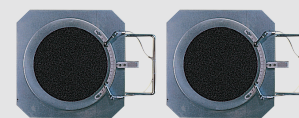


Cavalletti per assetto / Alignment stands / Stative für Achsvermessung / Béquilles pour géométrie / Caballetes para alineado

S110A7

Ø 310 mm (12.2")
2x1000 kg (2x2200lbs)

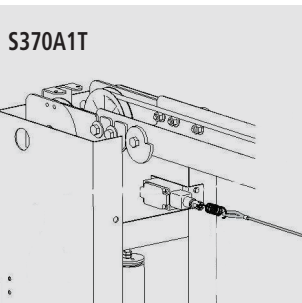
TURNTABLES



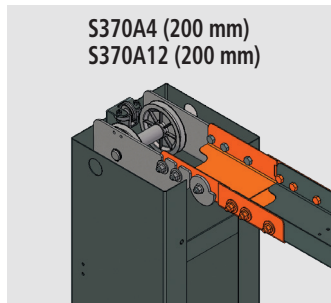
Piatti rotanti / Turntables / Drehplatten / Plateaux pivotants / Platos giratorios



Fincorsa / Limit switch / Endabschalter / Fin de course / Final de carrera



S370A1T



S370A4 (200 mm)
S370A12 (200 mm)

Estensione larghezza / Width extension / Verbreitung / Extension en largeur / Extensión de anchura

