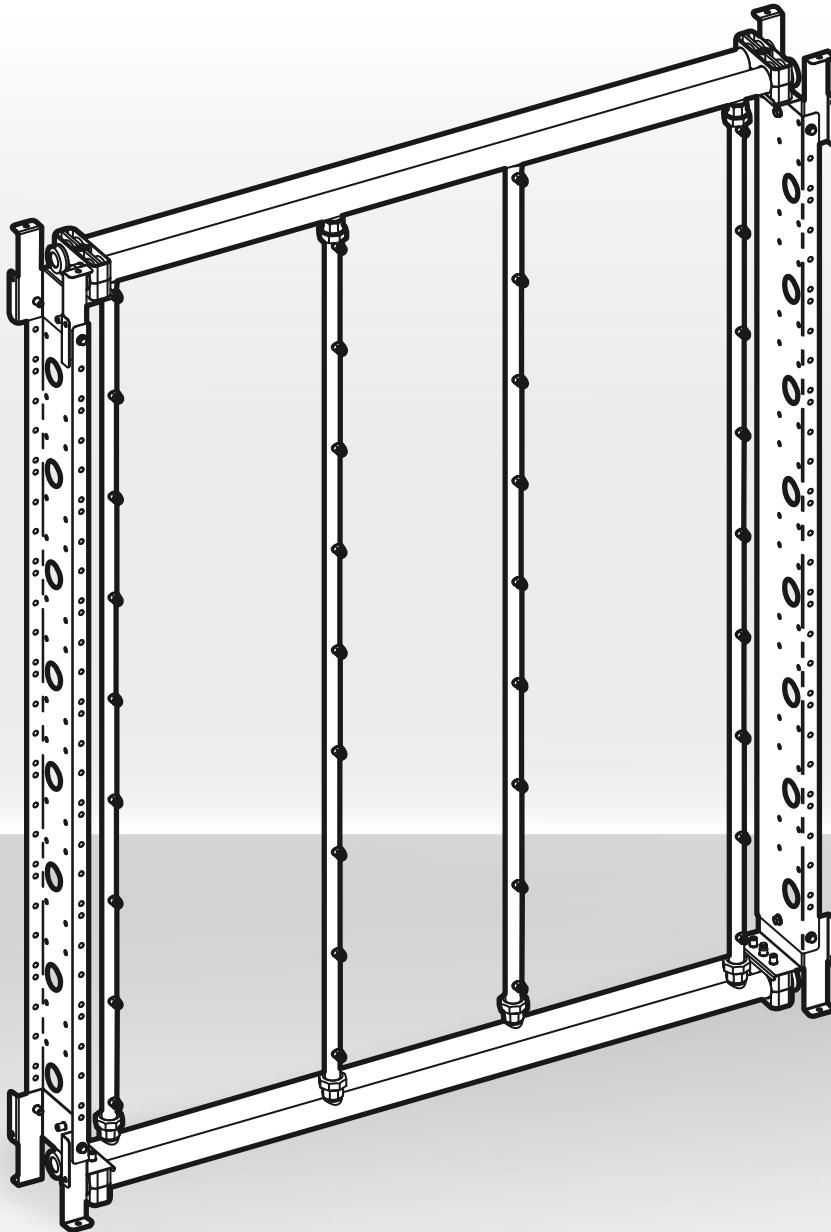
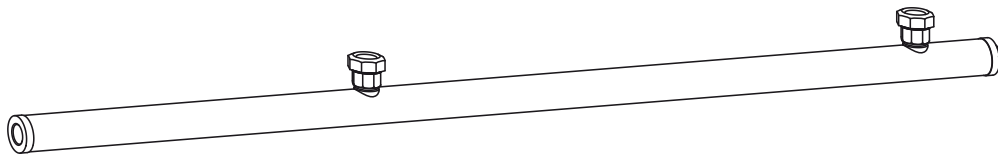
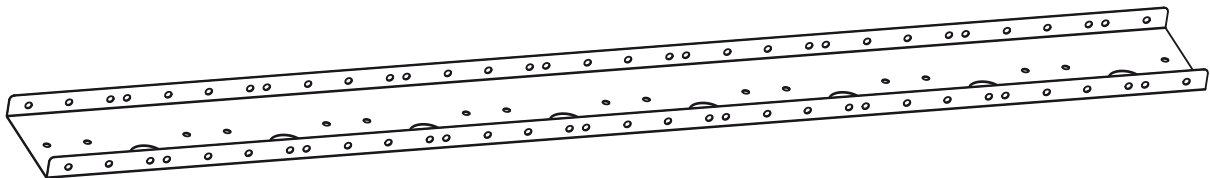
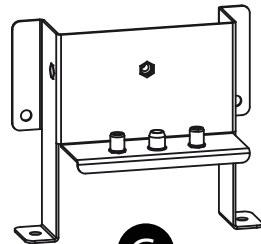
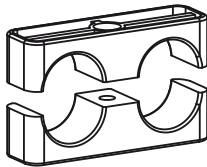
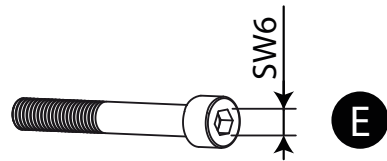
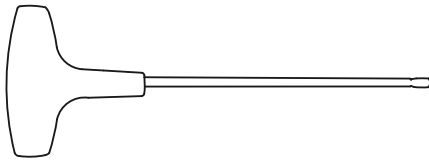
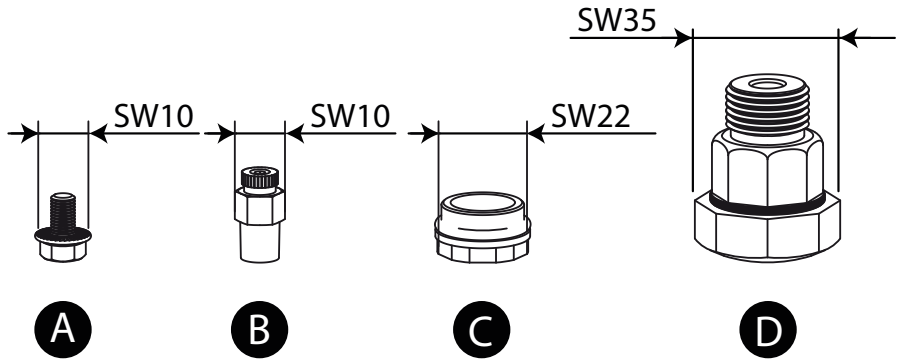
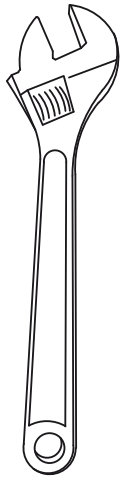
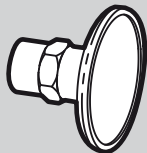
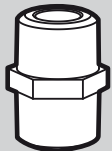


Sistema di distribuzione *Distribution system*

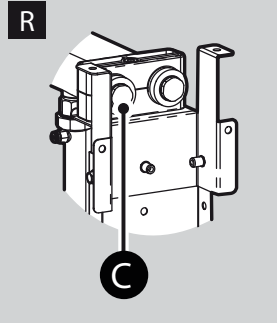
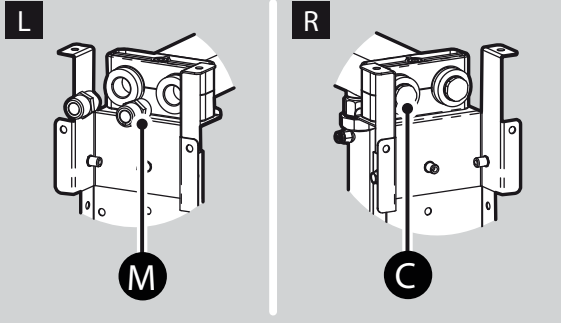




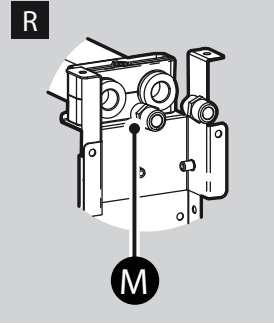
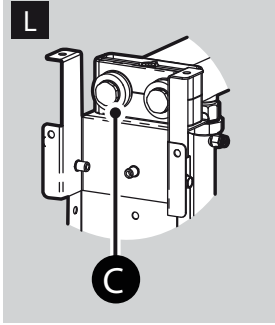
Accessories



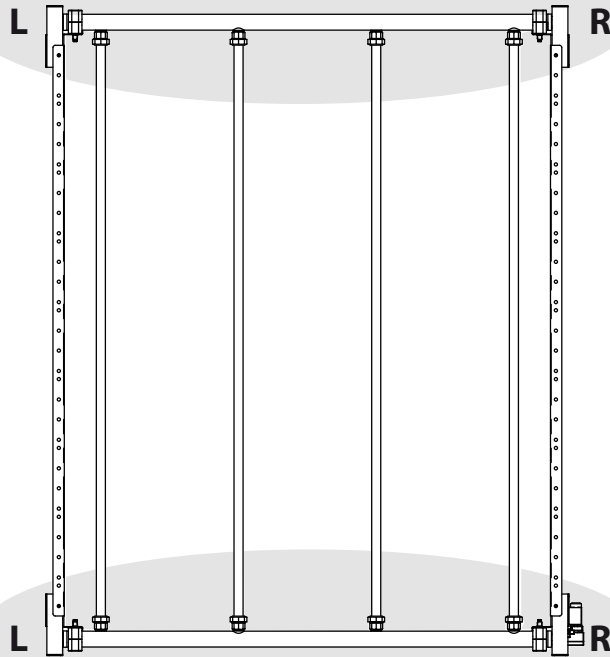
1. inlet option



2. inlet option

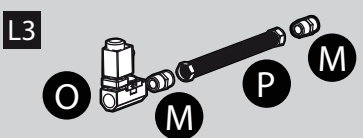
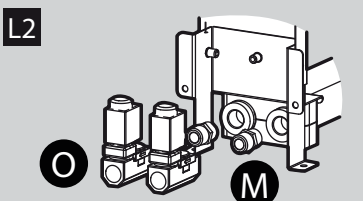
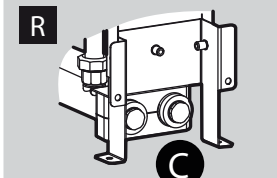
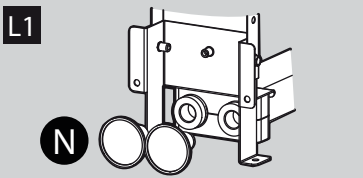


inlet option

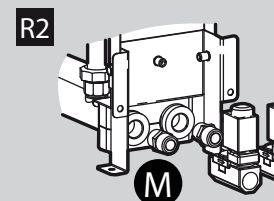
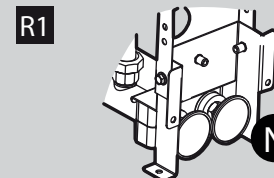
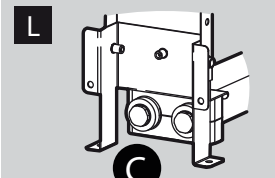


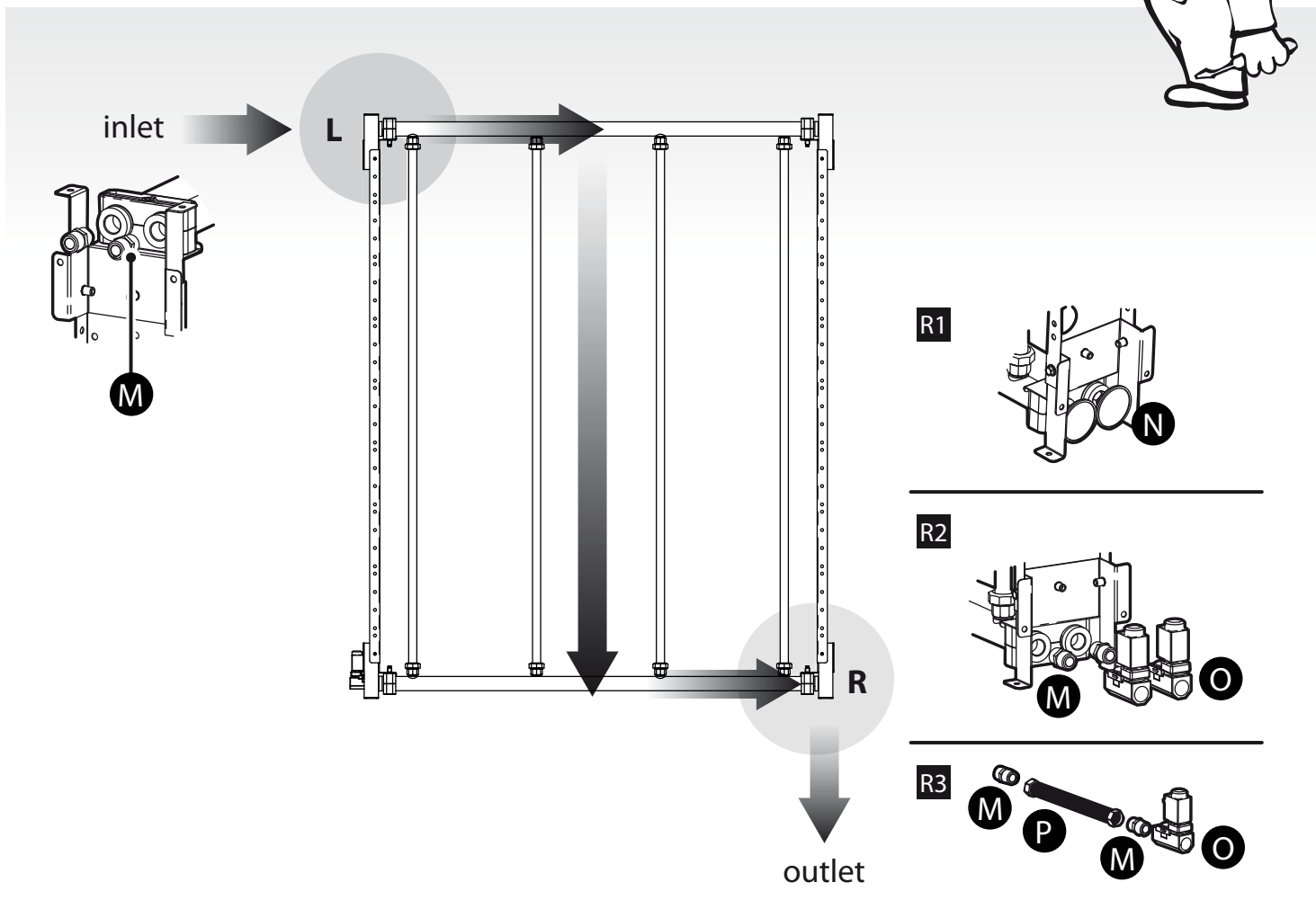
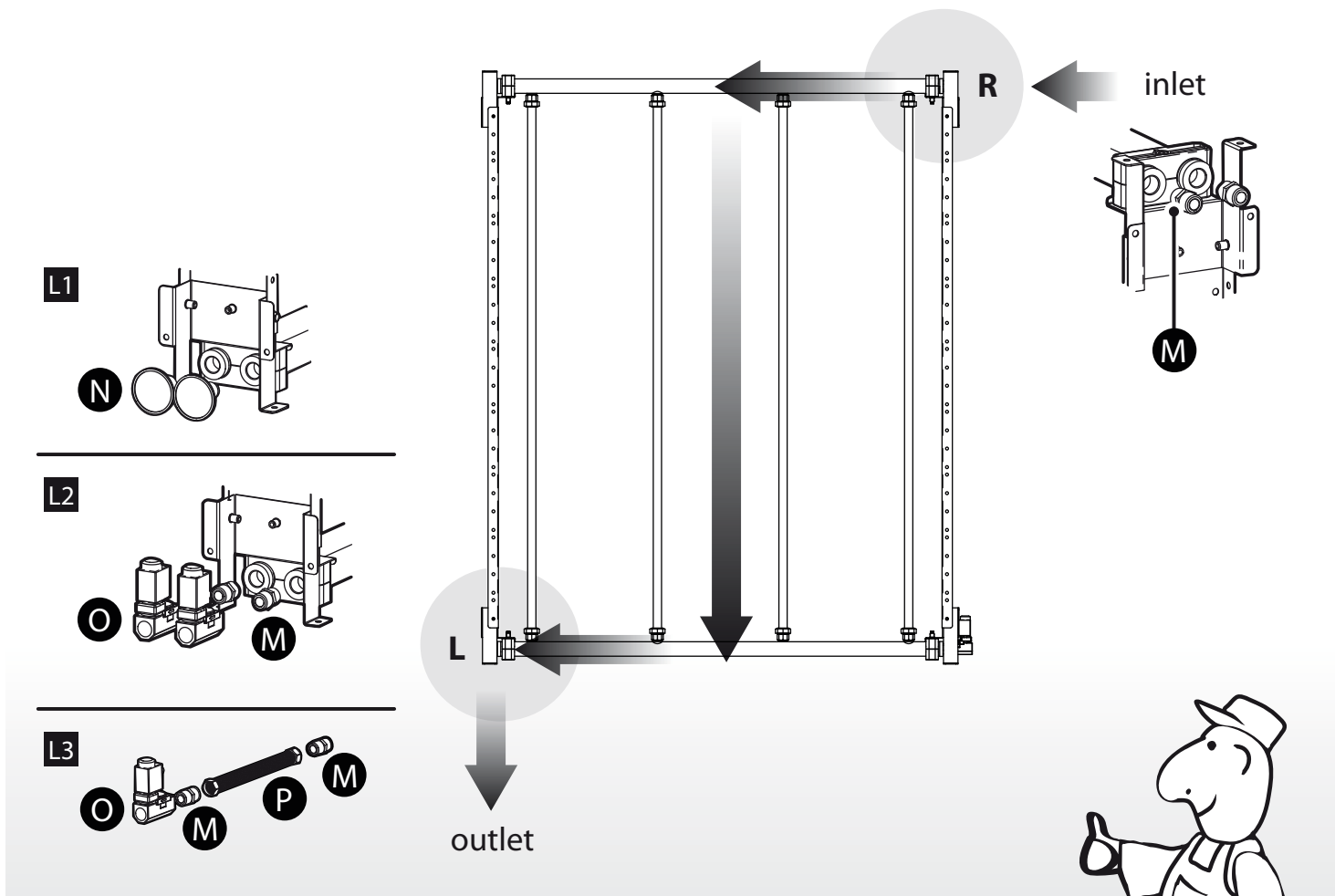
outlet option

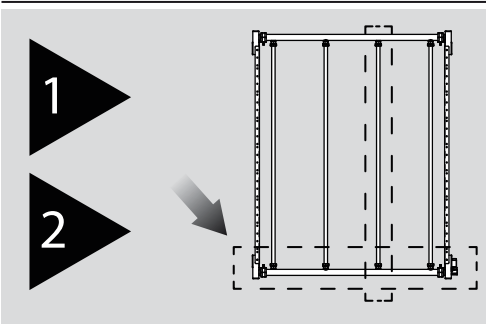
3. outlet option



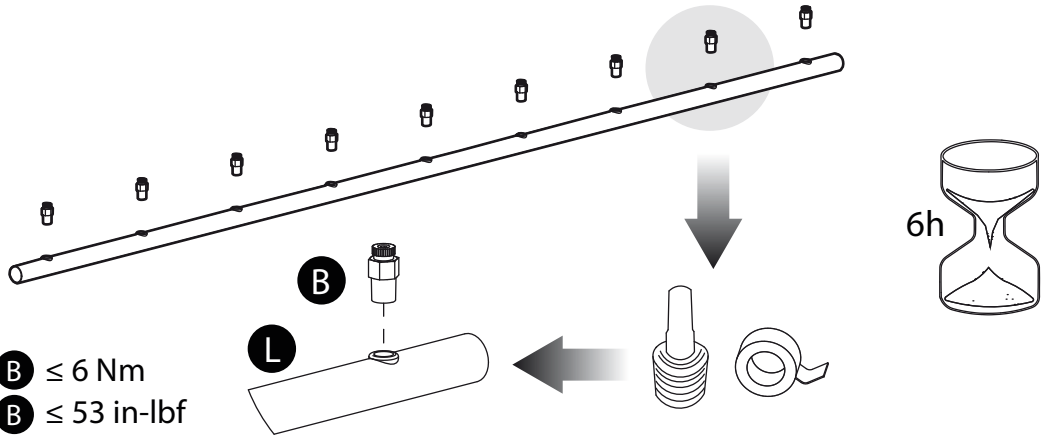
4. outlet option





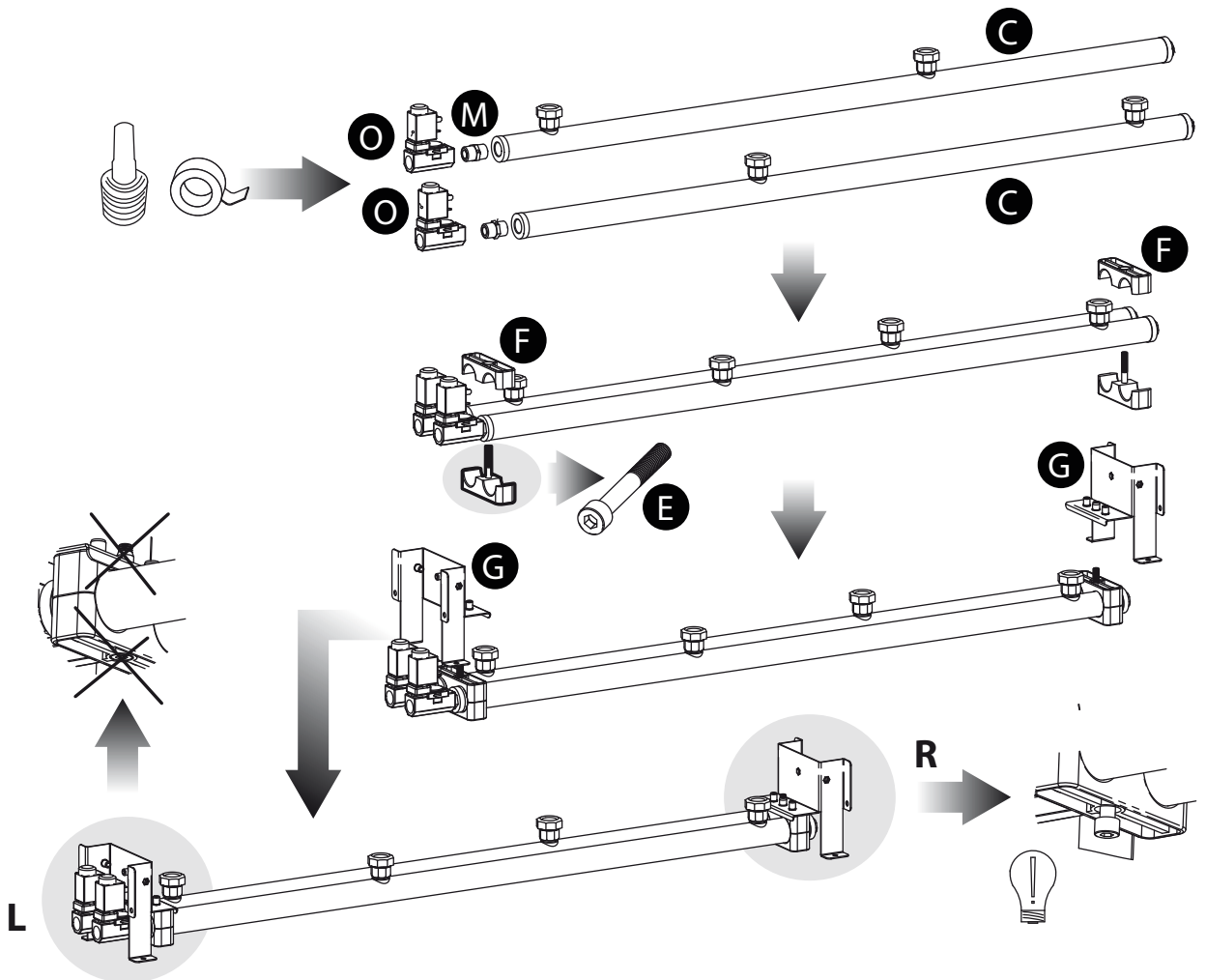


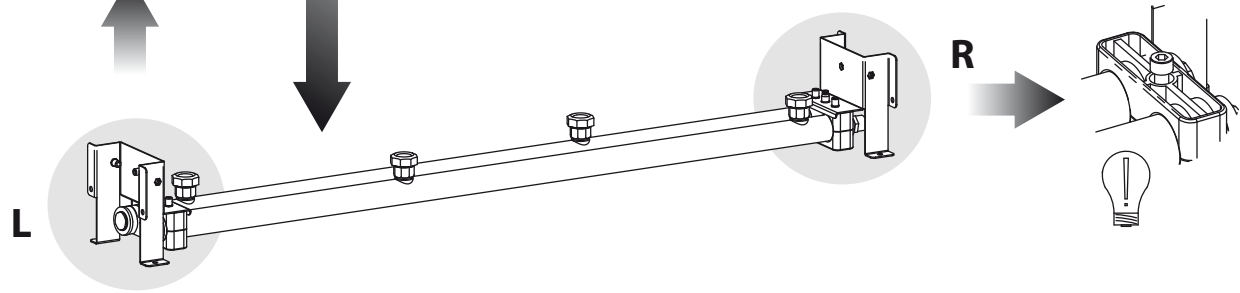
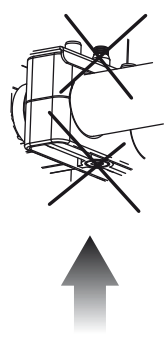
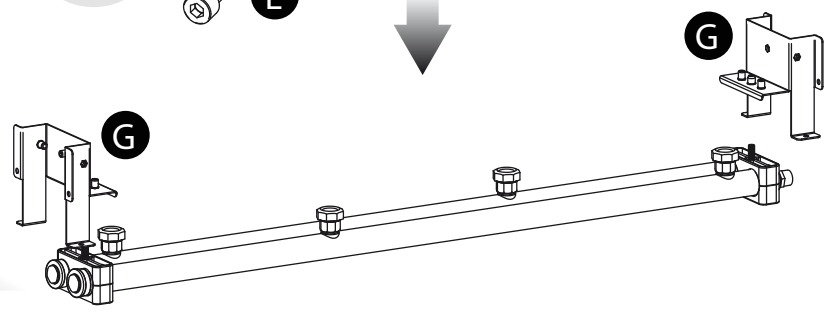
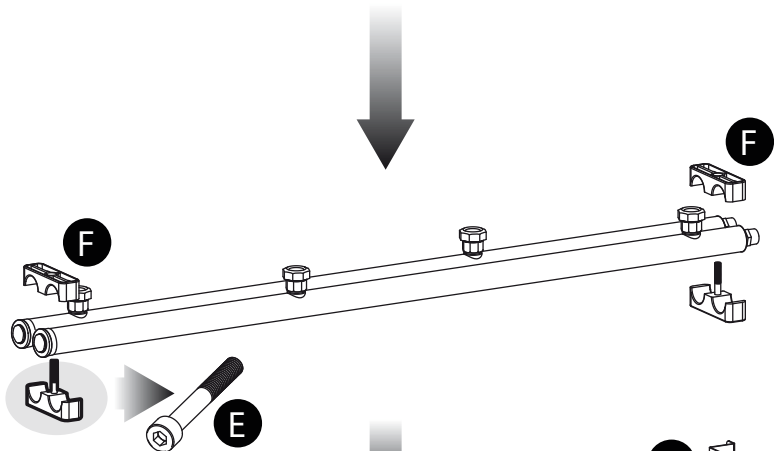
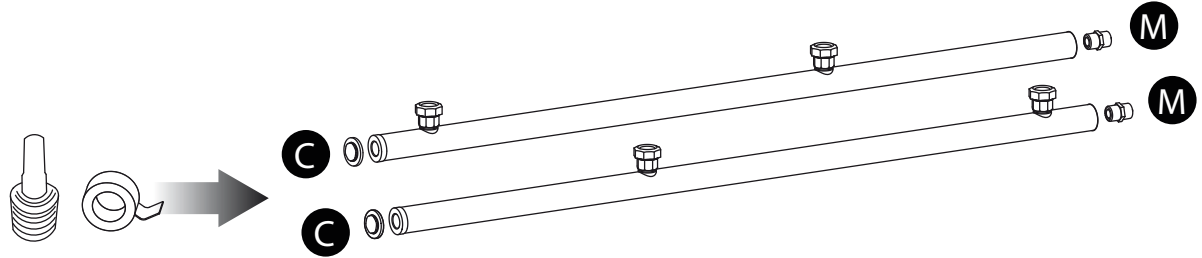
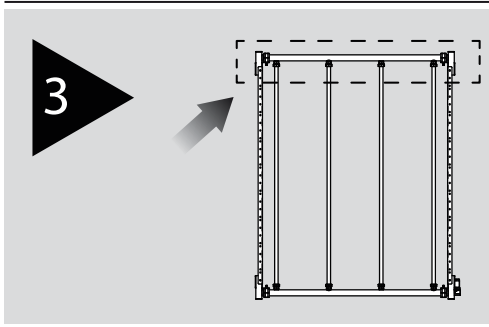
1

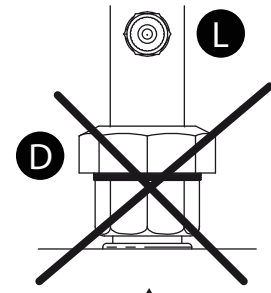
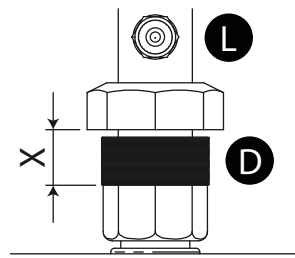
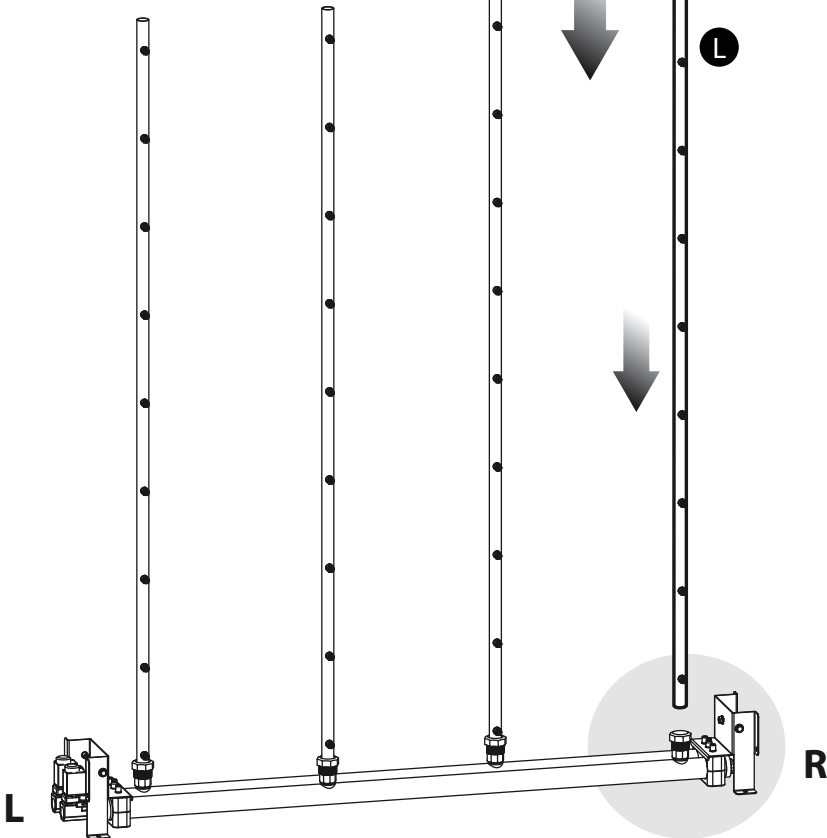
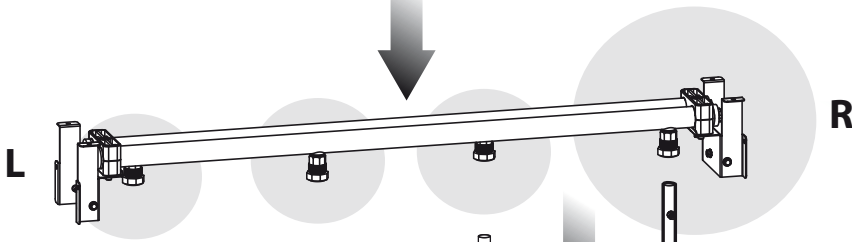
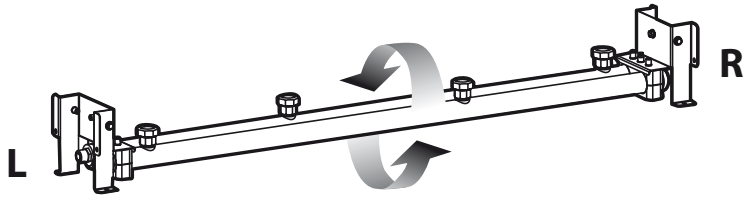
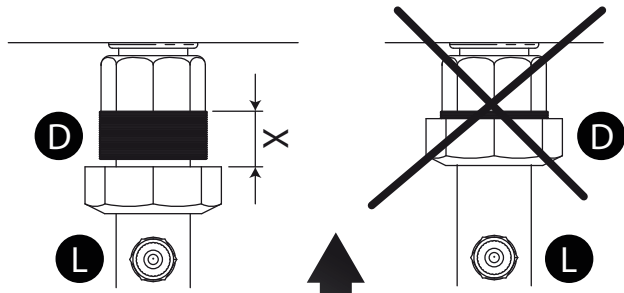
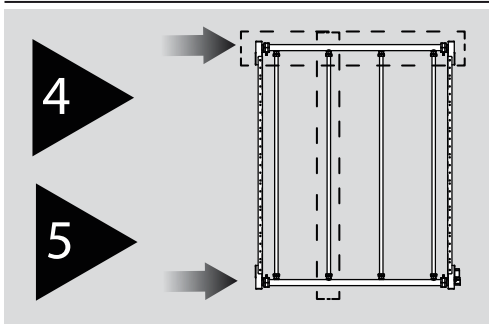


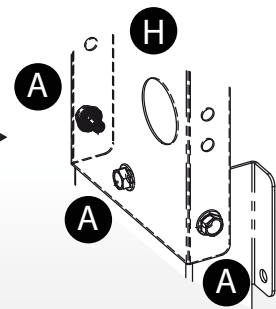
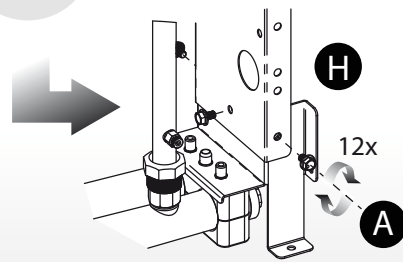
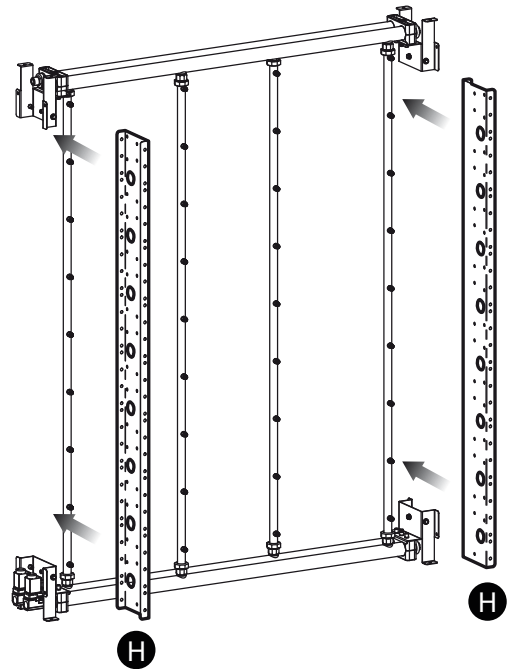
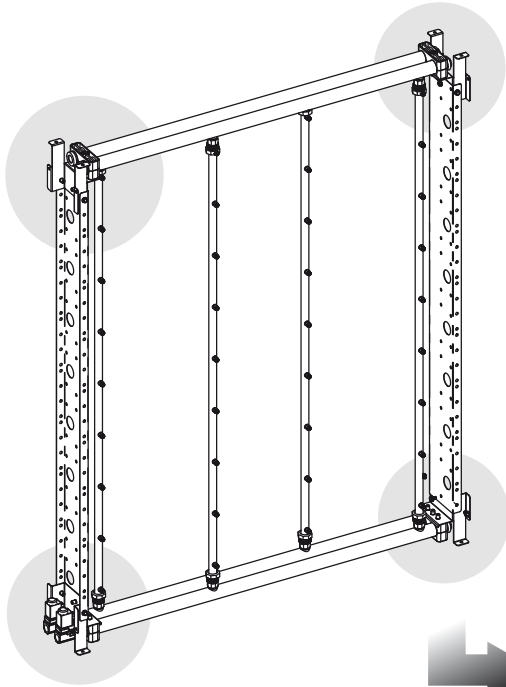
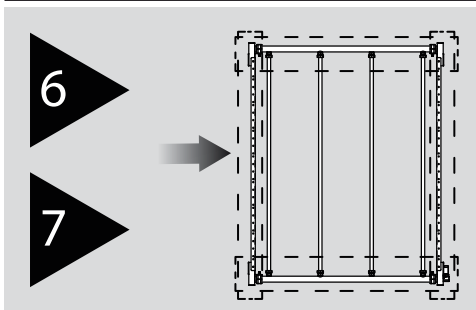
$5 \text{ Nm} \leq \text{B} \leq 6 \text{ Nm}$
 $44 \text{ in-lbf} \leq \text{B} \leq 53 \text{ in-lbf}$

2

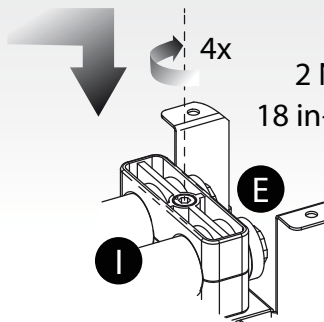
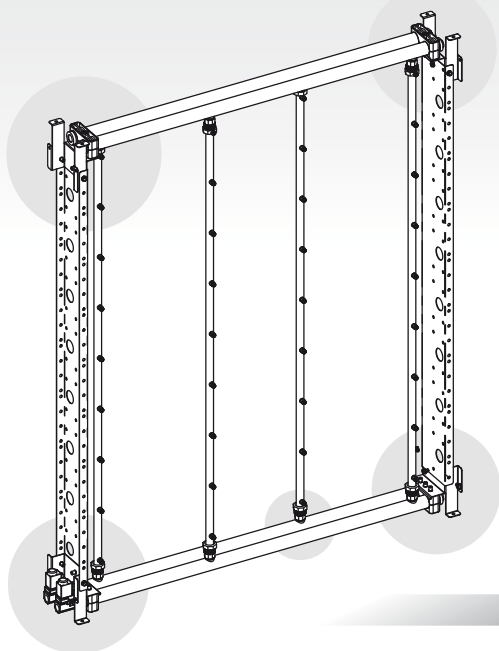








$2 \text{ Nm} \leq \text{A} \leq 4 \text{ Nm}$
 $18 \text{ in-lbf} \leq \text{A} \leq 35 \text{ in-lbf}$



$2 \text{ Nm} \leq \text{E} \leq 2,5 \text{ Nm}$
 $18 \text{ in-lbf} \leq \text{E} \leq 22 \text{ in-lbf}$

$8 \text{ Nm} \leq \text{D} \leq 9 \text{ Nm}$
 $70 \text{ in-lbf} \leq \text{D} \leq 80 \text{ in-lbf}$

