

gaSteam 45/90/180 HD003
45/90/180 HD103

CAREL

Ricambi / Spare parts / Pièces détachées
Ersatzteile / Pieza de ricambio



- (ITA)** Manuale d'uso
- (ENG)** *User manual*
- (FRE)** Manuel d'instruction
- (GER)** *Benutzerhandbuch*
- (SPA)** Manuale del usuario

→ **LEGGI E CONSERVA
QUESTE ISTRUZIONI** ←
**READ AND SAVE
THESE INSTRUCTIONS**



High Efficiency Solutions

IMPORTANT WARNINGS

The CAREL humidifiers are advanced products, whose operation is specified in the technical documentation supplied with the product or can be downloaded, even prior to purchase, from the website www.carel.com. Each CAREL product, in relation to its advanced level of technology, requires setup/configuration/programming/commissioning to be able to operate in the best possible way for the specific application. The failure to complete such operations, which are required/indicated in the user manual, may cause the final product to malfunction; CAREL accepts no liability in such cases.

The customer (manufacturer, developer or installer of the final equipment) accepts all liability and risk relating to the configuration of the product in order to reach the expected results in relation to the specific final installation and/or equipment. CAREL may, based on specific agreements, acts as a consultant for the installation/commissioning/use of the unit, however in no case does it accept liability for the correct operation of the humidifier and the final installation if the warnings or suggestions provided in this manual or in other product technical documents are not heeded. In addition to observing the above warnings and suggestions, the following warnings must be heeded for the correct use of the product:

DANGER OF ELECTRIC SHOCK

The humidifier contains live electrical components. Disconnect the mains power supply before accessing inside parts or during maintenance and installation;

DANGER OF WATER LEAKS

The humidifier automatically and constantly fills/drains certain quantities of water. Malfunctions in the connections or in the humidifier may cause leaks;

DANGER OF BURNS

The humidifier contains high temperature components and delivers steam at 100°C/212°F.

In the event where there is no demand for steam production for a period exceeding 24 hours, the unit will automatically empty the cylinder, so as to avoid stagnation of the water inside. It is recommended to manually empty the cylinder before switching off the unit at the main switch.

The conditions of the environment, the fuel and the power supply voltage must comply with the specified values.

All other uses and modifications made to the appliance that are not authorised by the manufacturer are considered incorrect.

Liability for injury or damage caused by the incorrect use of the appliance lies exclusively with the user.

Please note that the appliance is connected to the gas mains, contains live electrical devices and hot surfaces.

All service and/or maintenance operations must be performed by specialist and qualified personnel who are aware of the necessary precautions and are capable of performing the operations correctly and in accordance with the safety standards and legislation in force, with specific reference to:

1. Italian law 1083/71: "Safety standards relating to the use of gaseous fuel";
2. Italian Law no. 46/90: "Safety standards relating to systems in buildings";
3. Italian Presidential Decree no. 447, December 6, 1991: "Regulations for the enforcement of law no. 46, dated March 5, 1990, on safety relating to systems in buildings";
4. Italian Law 10/91: "Regulations for the enforcement of the national plan for energy savings and the development of renewable sources of energy".

Il settaggio di tutte le unità (sottostanti alla normativa UL - 998) per funzionamento da Gas naturale (settaggio di fabbrica) a gas GPL dovrà essere effettuato esclusivamente da personale Carel o Service Carel.

Disconnect the appliance from the mains power supply before accessing any internal parts. The local safety standards in force must be applied in all cases.

Warning:



The installation of the product must include an earth connection, using the special yellow-green terminal available in the humidifier.

The environmental and power supply conditions must conform to the values specified on the product rating labels.

The product is designed exclusively to humidify rooms either directly or through distribution systems (ducts).

Only qualified personnel who are aware of the necessary precautions and able to perform the required operations correctly may install, operate or carry out technical service on the product.

Only water with the characteristics indicated in this manual must be used for steam production.

All operations on the product must be carried out according to the instructions provided in this manual and on the labels applied to the product. Any uses or modifications that are not authorised by the manufacturer are considered improper. CAREL declines all liability for any such unauthorised use. Do not attempt to open the humidifier in ways other than those specified in the manual.

Observe the standards in force in the place where the humidifier is installed. The appliance is not intended for use by persons (including children) with reduced physical, sensory or mental capabilities, or lack of experience and knowledge, unless they have been given supervision or instruction concerning use of the appliance by a person responsible for their safety.

Do not install and use the product near objects that may be damaged when in contact with water (or condensate). CAREL declines all liability for direct or indirect damage following water leaks from the humidifier.

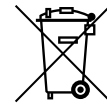
Do not use corrosive chemicals, solvents or aggressive detergents to clean the inside and outside parts of the humidifier, unless specifically indicated in the user manual.

Do not drop, hit or shake the humidifier, as the inside parts and the linings may be irreparably damaged.

CAREL adopts a policy of continual development. Consequently, CAREL reserves the right to make changes and improvements to any product described in this document without prior warning. The technical specifications shown in the manual may be changed without prior warning.

The liability of CAREL in relation to its products is specified in the CAREL general contract conditions, available on the website www.carel.com and/or by specific agreements with customers; specifically to the extent where allowed by applicable legislation, in no case will CAREL, its employees or subsidiaries be liable for any lost earnings or sales, losses of data and information, costs of replacement goods or services, damage to things or people, downtime or any direct, indirect, incidental, actual, punitive, exemplary, special or consequential damage of any kind whatsoever, whether contractual, extra-contractual or due to negligence, or any other liabilities deriving from the installation, use or impossibility to use the product, even if CAREL or its subsidiaries are warned of the possibility of such damage.


DISPOSAL



The humidifier is made up of metal parts and plastic parts. In reference to European Union directive 2002/96/EC issued on 27 January 2003 and the related national legislation, please note that:

1. WEEE cannot be disposed of as municipal waste and such waste must be collected and disposed of separately;
2. the public or private waste collection systems defined by local legislation must be used. In addition, the equipment can be returned to the distributor at the end of its working life when buying new equipment;
3. the equipment may contain hazardous substances: the improper use or incorrect disposal of such may have negative effects on human health and on the environment;
4. the symbol (crossed-out wheeled bin) shown on the product or on the packaging and on the instruction sheet indicates that the equipment has been introduced onto the market after 13 August 2005 and that it must be disposed of separately;
5. in the event of illegal disposal of electrical and electronic waste, the penalties are specified by local waste disposal legislation.

Warranty on the materials: 2 years (from the date of production, excluding consumables).

Approval: the quality and safety of CAREL products are guaranteed by the ISO 9001 certified design and production system, as well as by the  and



1. UG045	5
1.1 Burner Kit	5
2. UG045-090	6
2.1 Complete view	6
2.2 Hydraulic part view	7
3. UG045-090-180	8
3.1 Electrical panel	8
3.2 Burner Kit UG090-UG180	9
4. UG180	10
4.1 Complete view	10
4.2 Hydraulic part view	11
5. SPARE PARTS LIST	12
5.1 Spare parts UG***HD003	12
5.1 Fumisteria	12

1. UG045

1.1 Burner Kit

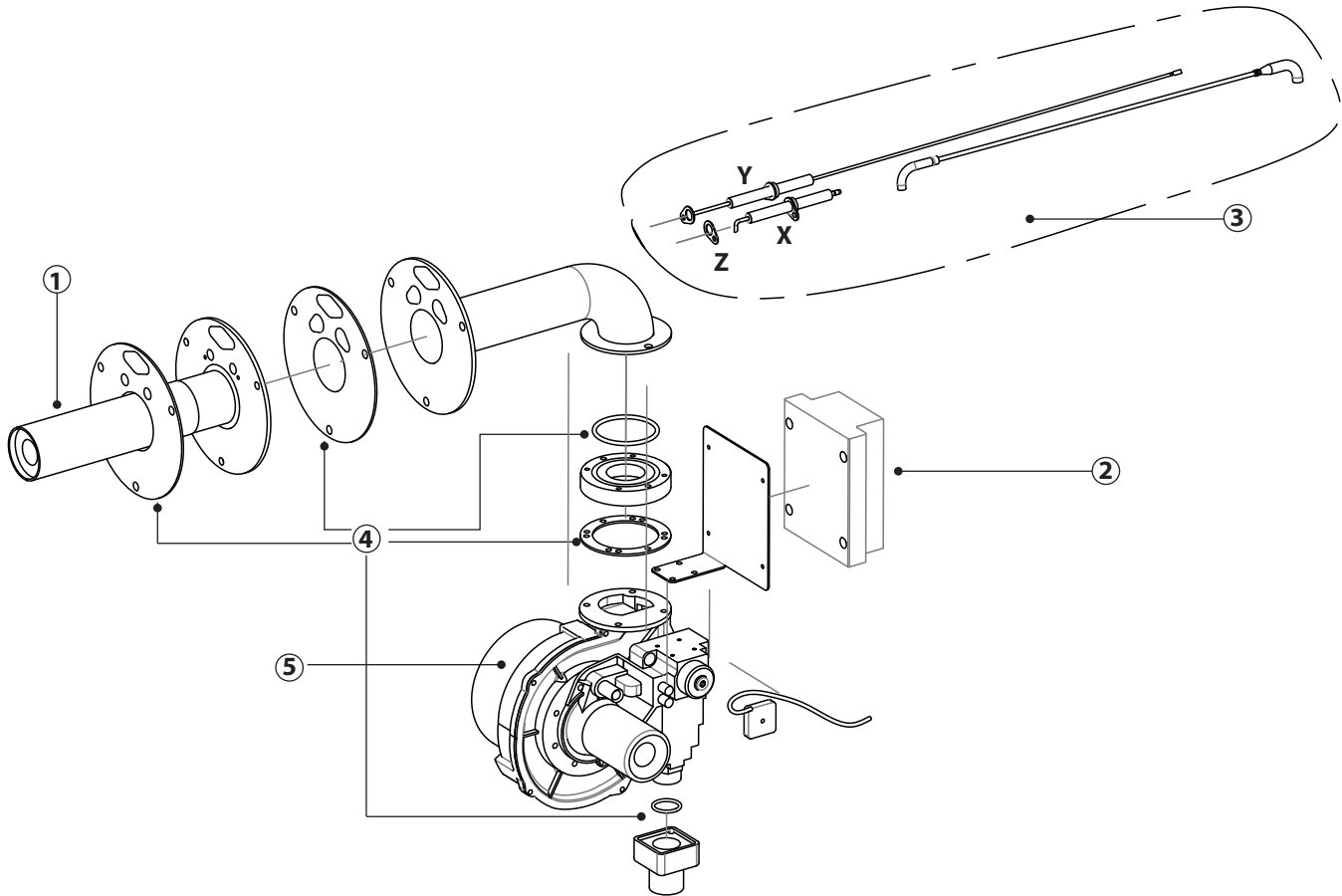


Fig. 1.a

BURNER KIT FOR UG045: UGKBRUC245

The burner kit can be supplied already assembled, tested and calibrated, code UGKBRUC245, complete with all the parts shown on the exploded diagram. It is available some individual components shown in the table 1.a can be supplied.

Position	Description	Code	
1	Combustion head 35kW for UG45	UGKCH00045	
2	Fenwall board 35-605317-221	UGKB10000M	
3	Ignition and survey flame electrodes UG45	UGKFLAM045	
X	Ignition flame electrodes		
Y	Survey flame electrodes		
Z	Gaskets		
4	Gas gasket kit for UG45	UGKGUAG045	Tab. 1.a
5	Fan for UG045	UGKFC00045	

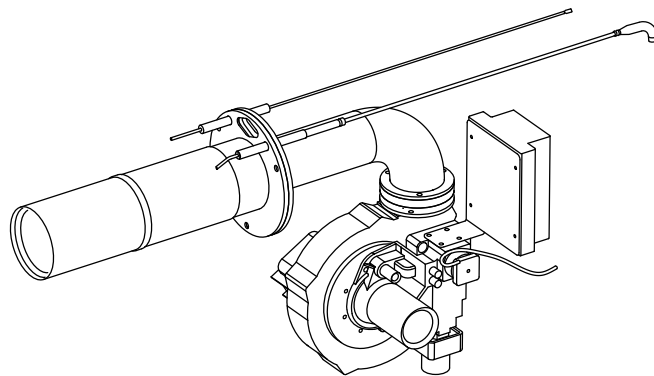


Fig. 1.b

Position	Description	Code	Tab. 1.b
1	Assembled Kit burner UG045	UGKBRUC245	

2. UG045-090

2.1 Complete view

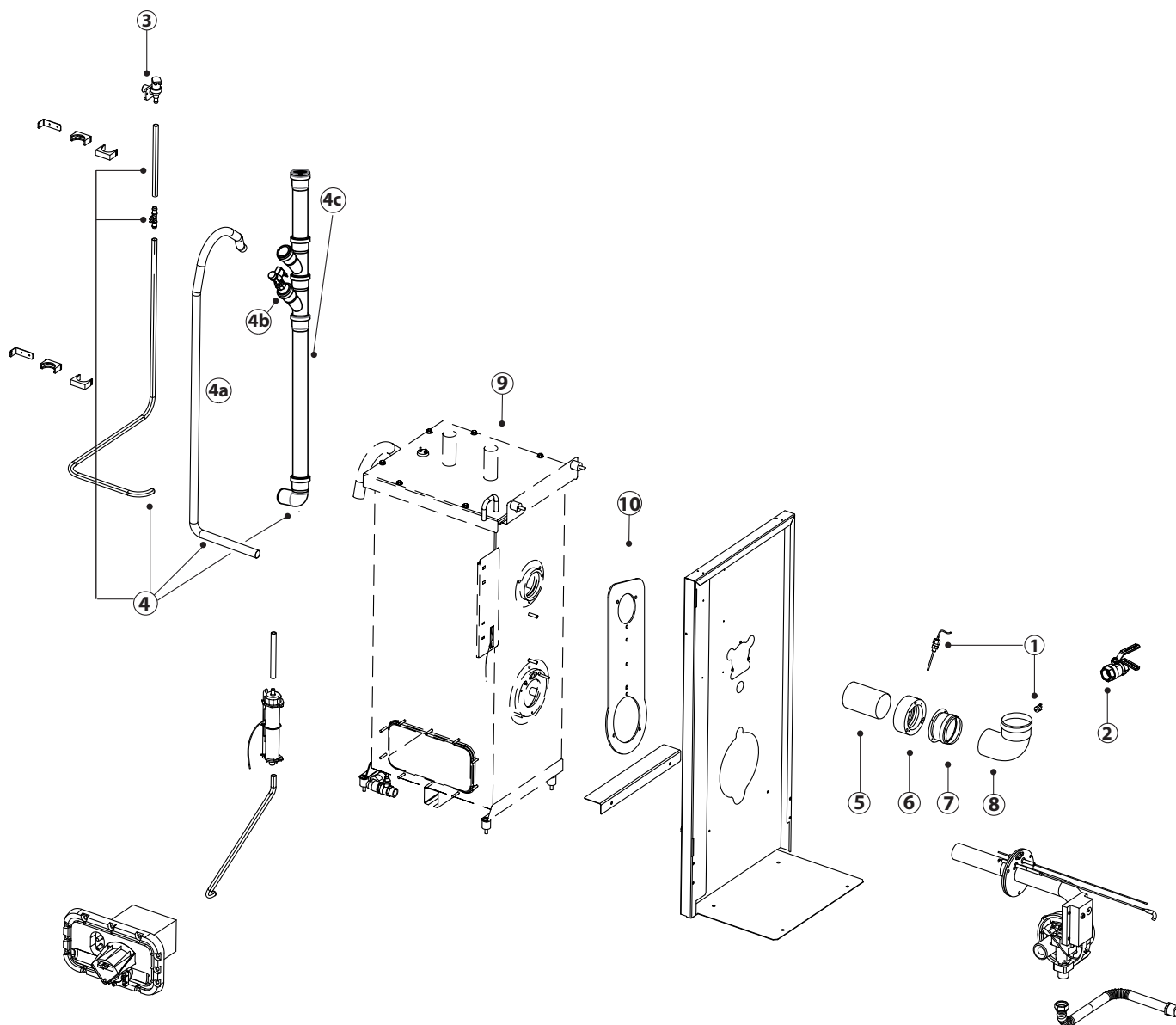


Fig. 2.a

Position	Description	Code
1	NTC + bimetal Thermostat UG045	UGKT000190
2	Tap kit Gas 1" for UG045 and UG090	UGKTAP0090
3	Water fill valve	KITVC00180
4	Drain column kit + tubes	UGKP000003
4a	Drain pump tube	UGKTS00000
4b	EV drain tempering (only UG***HD103 version)	UGKDT00000
4c	Drain column kit	UGKCS00003
5	Flue section Ø 80 mm L = 100 mm	EXHT080100
6	Chimney fastening joint	UGKGF00000
7	Flanged section Ø 80 mm L = 56 mm	EXHL080056
8	90° bend Ø 80 mm R = 0.75	EXHC080080
9	Kit boiler + cover UG45-90	UGKBL00090
10	Kit back plate	UGKCP00000

Tab. 2.a

2.2 Hydraulic part view

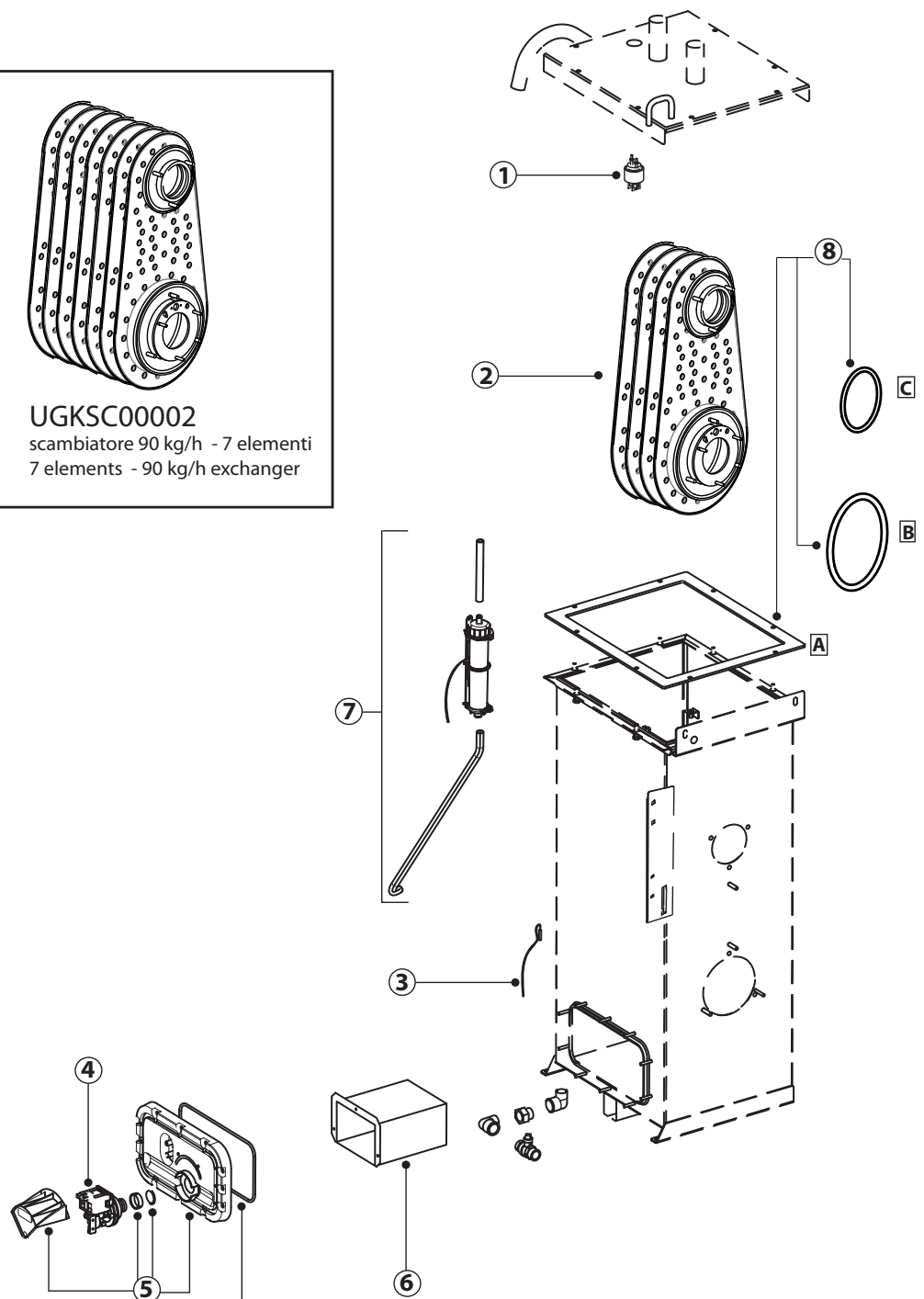
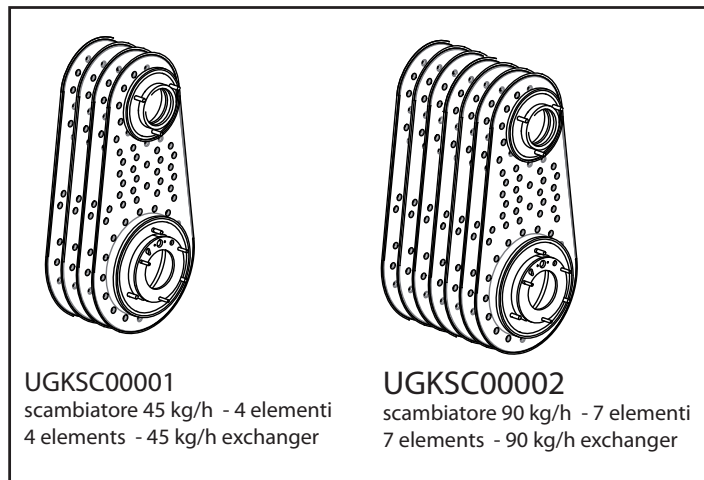


Fig. 2.b

Position	Description	Code
1	Foam sensor assembly kit	URKFS00000
2	Heat exchanger	UGKSC00001 (for UG045) UGKSC00002 (for UG090 and UG180)
3	NTC probe	NTC030HT00
4	Drain pump kit	UGKDP00050 (for UG 50 Hz) UGKDP00060 (for UG 60 Hz)
5	Utility flange assembly	URKFLAN000
6	Utility flange filter	URKF0000XL
7	Level sensor kit	UGKSL00002
8	Hydraulic gasket kit UG045-090	UGKGUAH190

Tab. 2.b

3. UG045-090-180

3.1 Electrical panel

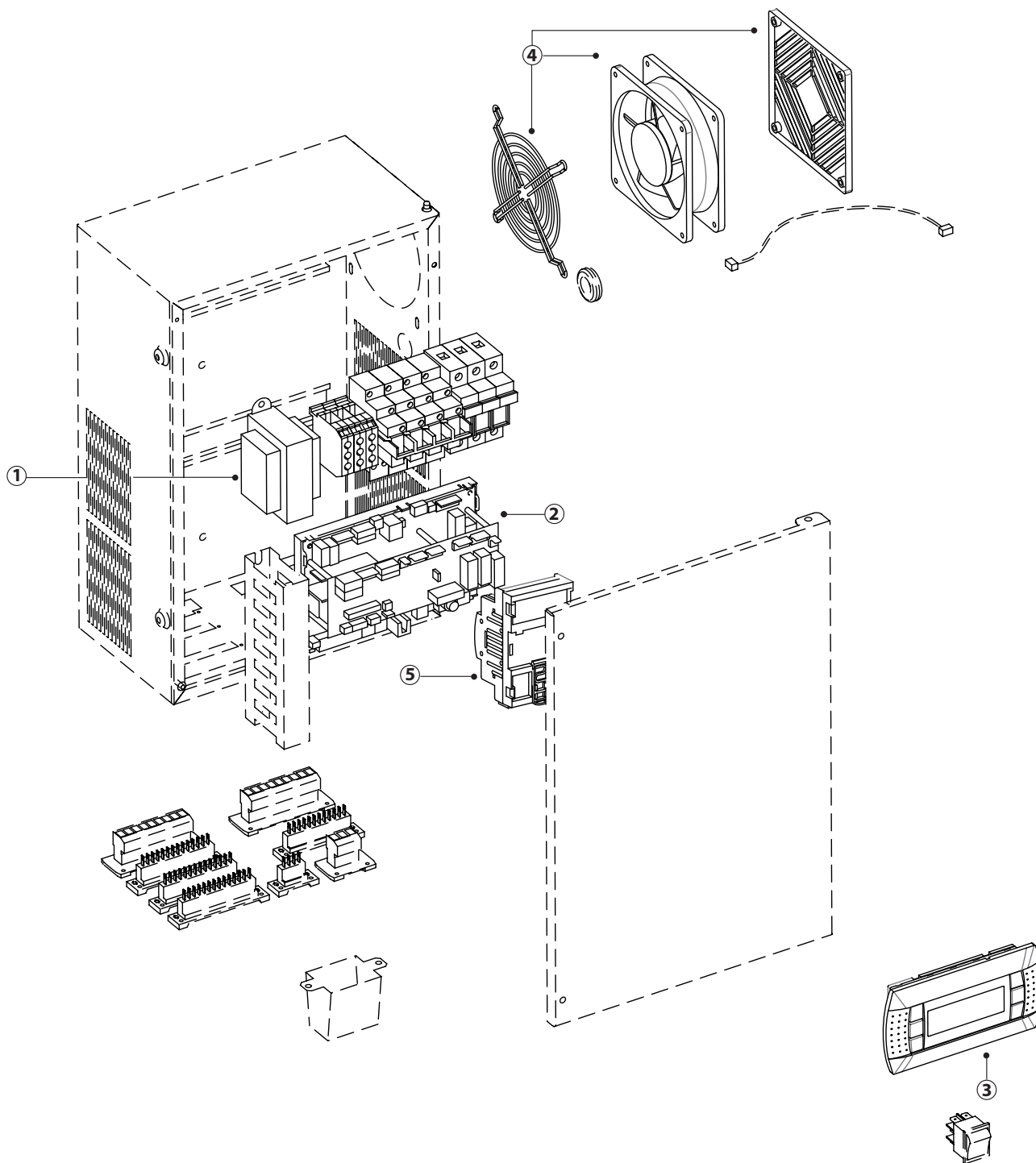


Fig. 3.a

ELECTRICAL PANEL UG045-090-180

The following components numbered in the Fig. 3.a are available for the electrical panel.

Position	Description	Code
1	Transformer	MCKTR00000
2	Main control board for UG045 unit	UGG45D0030
	Main control board for UG090 unit	UGG90D0030
	Main control board for UG180 unit	UGGA8D0030
3	PGD display	PGD1PH0F00
4	Cooling fan kit	UGKVENT001
5	pCOe kit	PCOE00TLNO

Tab. 3.a

3.2 Burner Kit UG090-UG180

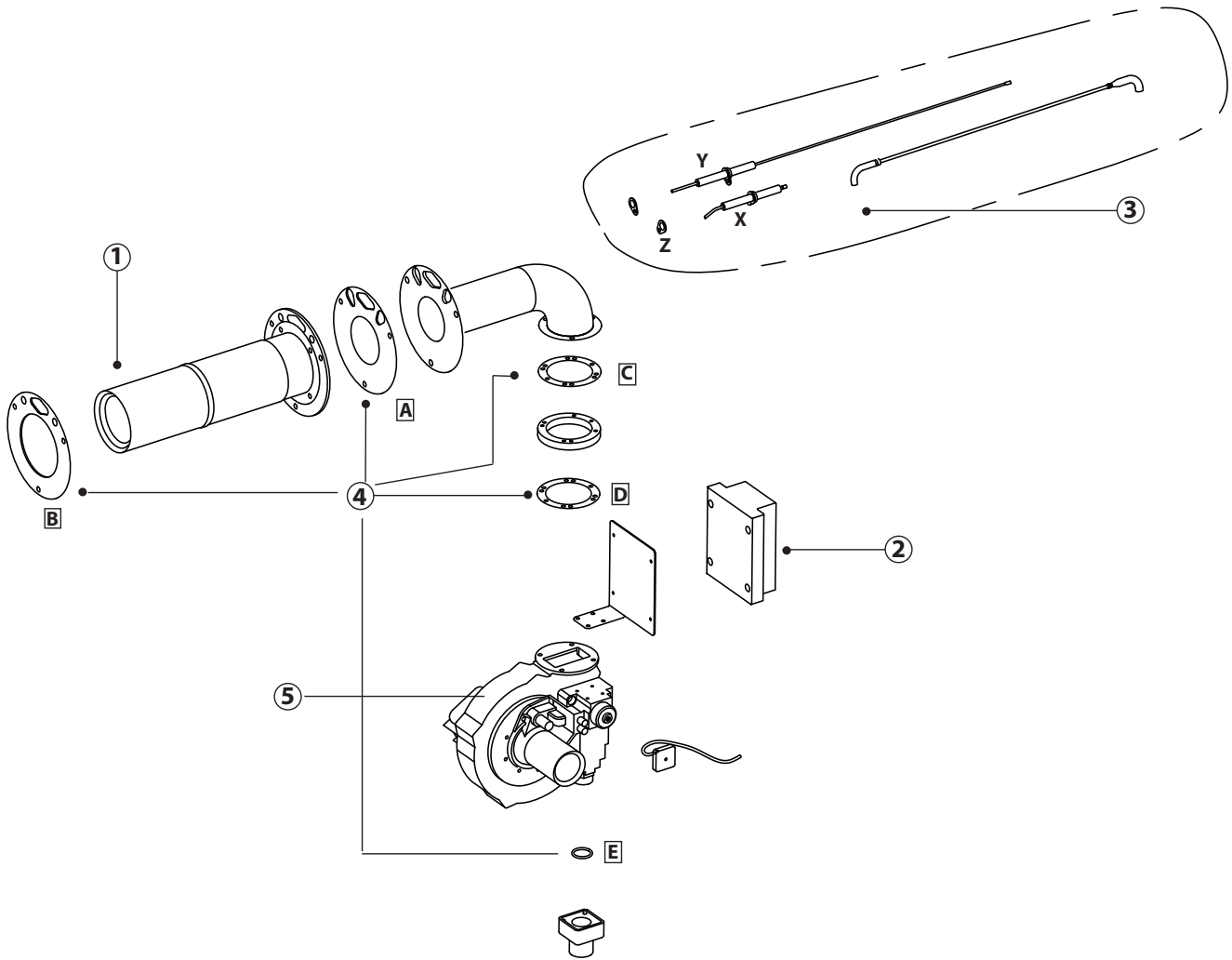


Fig. 3.b

BUNER KIT FOR UG090-180: UGKBRUC290

The burner kit can be supplied already assembled, tested and calibrated code UGKBRUC290, complete with all the parts shown on the exploded diagram. It is available some individual components shown in the table 3.b can be supplied.

Position	Description	Code
1	UG090/180 combustion head	UGKCH00090
2	Fenwall board 35-605317-221	UGKB10000M
3	Ignition and survey flame electrodes	UGKFLAM090
X	Ignition flame electrodes	
Y	Survey flame electrodes	
Z	Gaskets	
4	Gas gasket kit for UG90-180	UGKGUAG090
5	Fan for UG045	UGKFC00090

Tab. 3.b

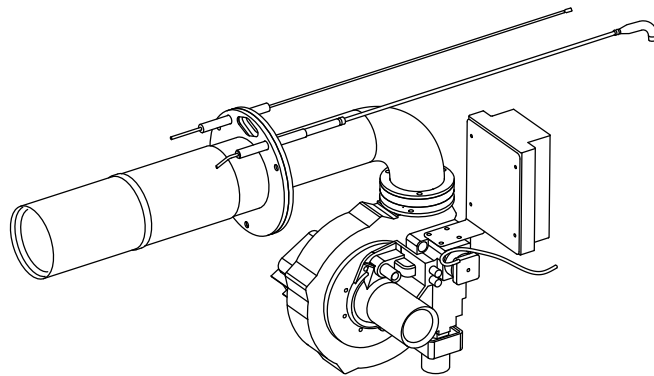


Fig. 3.c

Position	Description	Code
1	Assembled Kit burner UG90-180	UGKBRUC290

Tab. 3.c

4. UG180

4.1 Complete view

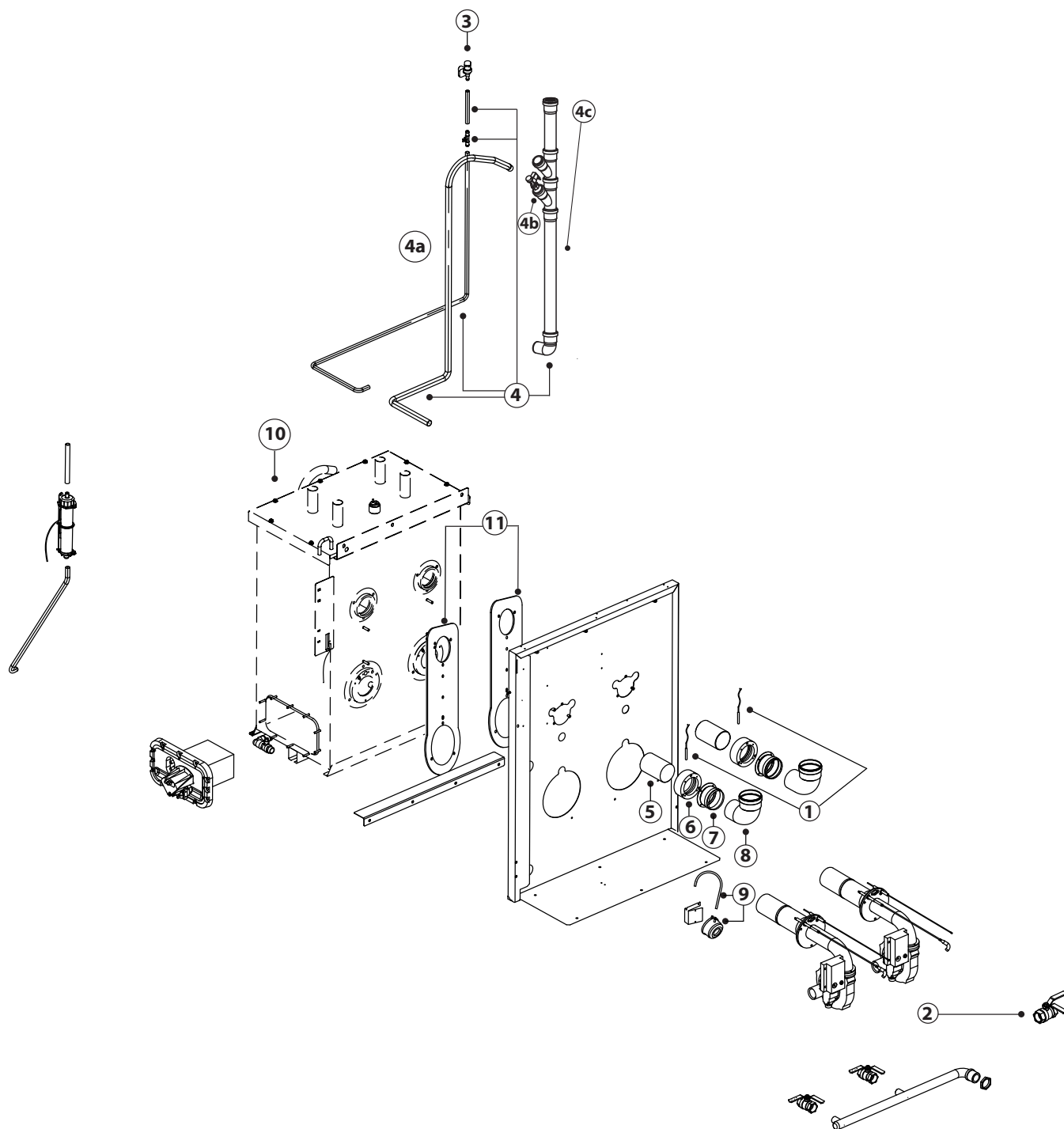


Fig. 4.a

Position	Description	Code
1	NTC kit + bimetal Thermostat UG045-90-180	UGKT000190
2	Tap kit Gas 1" 1/4 for UG180	UGKTAP0180
3	Water fill valve	KITVC00180
4	Drain column kit + tubes	UGKP000003
4a	Drain pump tube	UGKTS00000
4b	EV drain tempering (only UG***HD103 version)	UGKDT00000
4c	Drain column kit	UGKCS00003
5	Flue section Ø 80 mm L = 100 mm	EXHT080100
6	Chimney fastening joint	UGKGF00000
7	Flanged section Ø 80 mm L = 56 mm	EXHL080056
8	90° bend Ø 80 mm R = 0.75	EXHC080080
9	Differential pressure switch kit UG180	UGKPRES180
10	Kit boiler + cover UG180	UGKBL00180
11	Kit back plate (1 pcs.)	UGKCP00000

Tab. 4.a

4.2 Hydraulic part view

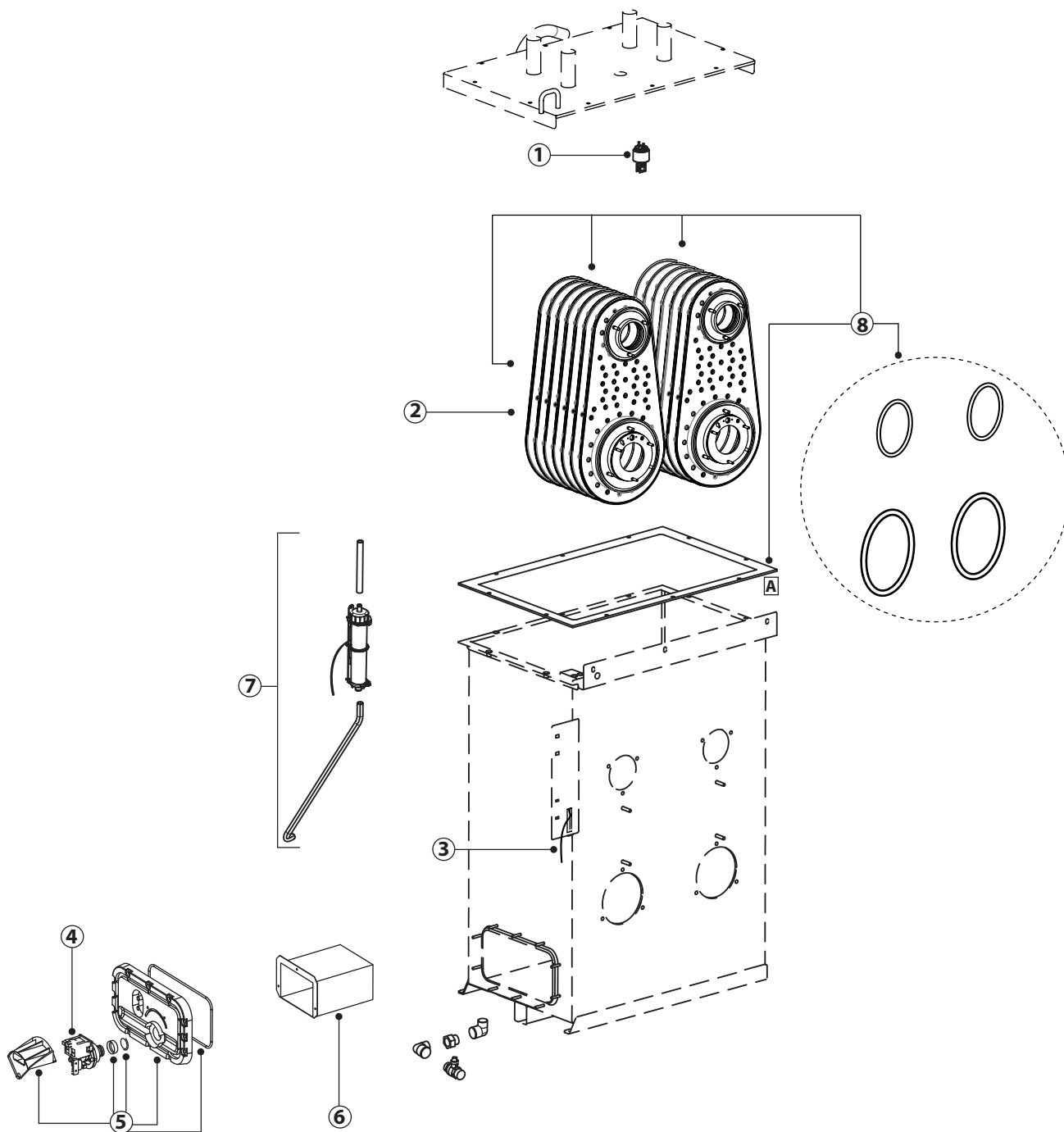


Fig. 4.b

Position	Description	Code
1	Foam sensor assembly kit	URKFS00000
2	Heat exchanger assembly	UGKSC00002
3	NTC probe	NTC030HT00
4	Drain pump kit	UGKDP00050 (for UG 50 Hz) UGKDP00060 (for UG 60 Hz)
5	Utility flange assembly	URKFLAN000
6	Utility flange filter	URKF0000XL
7	Level sensor kit	UGKSL00002
8	Hydraulic gasket kit UG180	UGKGUAH181

Tab. 4.b

5. SPARE PARTS LIST

5.1 Spare parts UG***HD003

Code	Description
UGKBRUC245	Assembled Kit burner UG045HD003 / UG045HD103
UGKCH00045	Combustion head 35kW UG045HD003 / UG045HD103
UGKB10000M	Flame control board Fenwall 35-605317-221
UGKFLAM045	Ignition and survey flame electrodes UG045HD003 / UG045HD103
UGKGUAG045	Gas gasket kit for UG045HD003 / UG045HD103
UGKFC00045	Fan for UG045HD003 / UG045HD103
UGKT000190	NTC kit + bimetal Thermostat UG045HD003 / UG045HD103 - UG090HD003 / UG090HD103 - UG180HD003 / UG180HD103
UGKTAP0090	Tap kit Gas 1" for UG045HD003 / UG045HD103 - UG090HD003 / UG090HD103
KITVC00180	Water fill valve
UGKP000003	Drain column kit + tubes
UGKDT00000	EV drain tempering (only UG***HD103 version)
UGKCS00003	Drain column kit
UGKTS00000	Drain pump tube
URKFS00000	Foam sensor assembly kit
UGKSC00001	Heat exchanger for UG045HD003 / UG045HD103
UGKSC00002	Heat exchanger for UG090HD003 / UG090HD103 - UG180HD003 / UG180HD103
NTC030HT00	Ntc probe
UGKDP00050	50 Hz drain pump kit
UGKDP00060	60 Hz drain pump kit
URKFLAN000	Utility flange assembly
URKF0000XL	Utility flange filter
UGKSL00002	Level sensor kit
UGKGUAH190	Hydraulic gasket kit UG045HD003 / UG045HD103 - UG090HD003 / UG090HD103
UGG45D0030	Main control board for UG045
UGG90D0030	Main control board for UG090
UGGA8D0030	Main control board for UG180
MCKTR00000	Transformer
UGKVENT001	Cooling fan kit
UGKBRUC290	Assembled Kit burner UG090HD003 / UG090HD103 - UG180HD003 / UG180HD103
UGKCH00090	UG090HD003 / UG090HD103 - UG180HD003 / UG180HD103 combustion head
UGKFLAM090	Ignition and survey flame electrodes UG090HD003 / UG090HD103 - UG180HD003 / UG180HD103
UGKGUAG090	UG090HD003 / UG090HD103 - UG180HD003 / UG180HD103 gas gasket kit for
UGKFC00090	Fan kit for UG090HD003 / UG090HD103 - UG180HD003 / UG180HD103
UGKTAP0180	Tap kit Gas 1" for UG180HD003 / UG180HD103
UGKPRE5180	Differential pressure switch kit for UG180HD003 / UG180HD103
UGKGUAH181	Hydraulic gasket kit for UG180HD003 / UG180HD103
PGD1PH0F00	Display PGD
UGKCP00000	Kit back plate UG
UGKGF00000	Chimney fastening joint
UGKBL00090	Kit boiler + cover UG045HD003 / UG045HD103 - UG090HD003 / UG090HD103
UGKBL00180	Kit boiler + cover UG180HD003 / UG180HD103

Tab. 5.a

5.1 Fumisteria

Code	Description
EXHZ080000	Stainless steel flue gas outlet grill, Ø80 mm
EXHP080100	1000 mm extension Ø80 mm
EXHP080500	500 mm extension Ø80 mm
EXHC080080	90° bend Ø80 mm
EXHX080000	Stainless steel intake grill, Ø80 mm
EXHQ080000	Inside/Outside gasket Ø80 mm
EXHNI00125	Tile for sloped roof Ø80 mm
EXHN080000	Flat tile Ø80 mm
EXHS0A0011	Condensate collection section Ø80 mm L= 135mm
EXHD080000	T connection, Ø80 mm
EXHG000000	Plug
EXHDS00000	Condensate drain trap with pipe
EXHW000080	Silicon gasket for flue gas Ø=80mm
EXHL080056	Flue section Ø 80 mm L = 57 mm
EXHT080120	Flue section Ø 80 mm L = 120 mm
EXHI080025	Inspection section Ø 80 mm, L = 135 mm
EXHT080100	Flue section Ø 80 mm L = 100 mm

Tab. 5.b

CAREL

CAREL INDUSTRIES S.r.l. Società Unipersonale
Via dell'Industria, 11 - 35020 Brugine - Padova (Italy)
Tel. (+39) 049.9716611 - Fax (+39) 049.9716600
e-mail: carel@carel.com - www.carel.com

Agenzia / Agency: