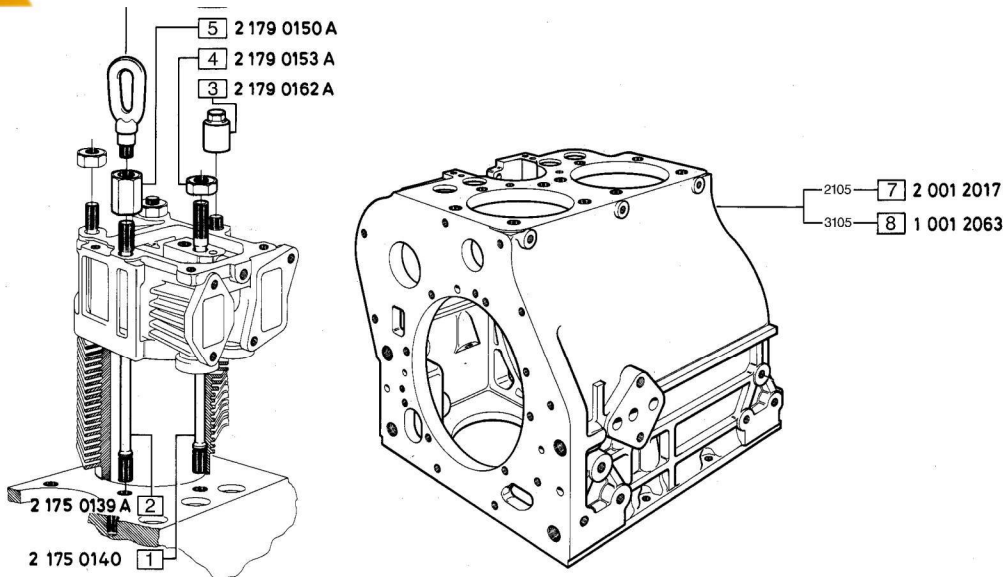


Поставщик в Республике Беларусь, Частное предприятие "Движение Воды"
 Тел.: 8 (029) 183-85-06, МТС 8 (033) 386-80-72

MODIFICACIÓN
 to serial nr.
 o a matricola



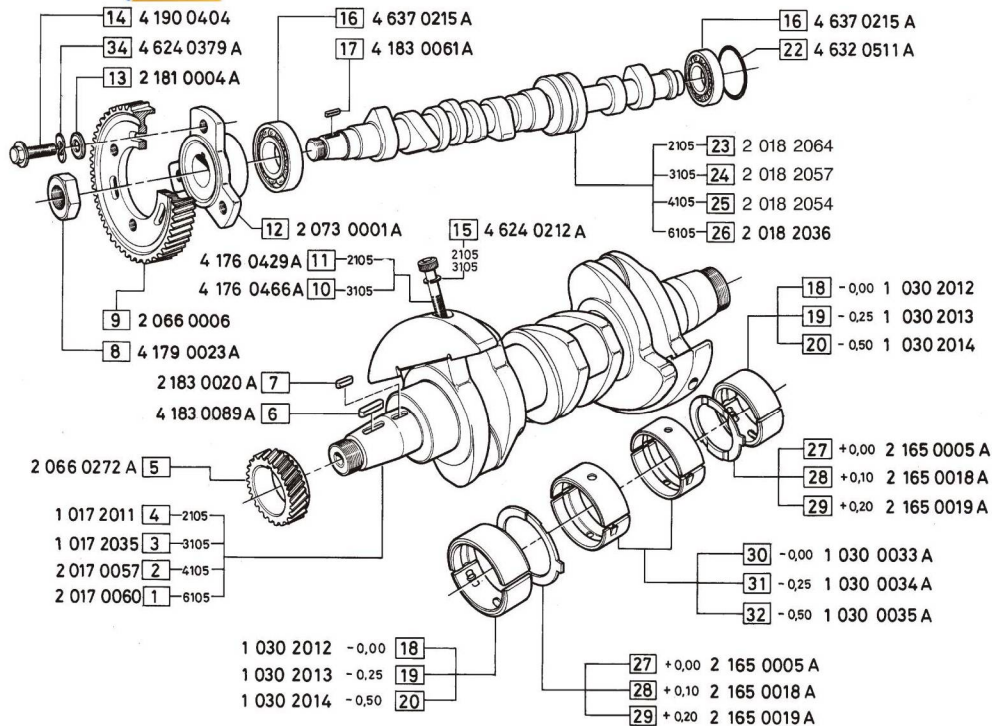
| Pos. N. | DESCRIPTION DESCRIZIONE | Quantity (Q.tà) | | | | 6 | LIFTING EYE (E1) | 2 | 2 | | | | | | | | | | | | |
|---------|-------------------------|-----------------|------|------|------|---|-------------------|---|---|--|--|--|--|--|--|--|--|--|--|--|--|
| | | 2105 | 3105 | 4105 | 6105 | | | | | | | | | | | | | | | | |
| | | | | | | 6 | LIFTING EYE (TE1) | | | | | | | | | | | | | | |
| 1 | STUD | 2 | 3 | | | | | | | | | | | | | | | | | | |
| 2 | STUD | 8 | 12 | | | | | | | | | | | | | | | | | | |
| 3 | NUT | | 1 | 2 | | | | | | | | | | | | | | | | | |
| 4 | NUT (E1) | | 7 | 11 | | | | | | | | | | | | | | | | | |
| 4 | NUT (TE1) | | | 10 | | | | | | | | | | | | | | | | | |
| 5 | NUT (E1) | | 2 | 2 | | | | | | | | | | | | | | | | | |
| 5 | NUT (TE1) | | | 3 | | | | | | | | | | | | | | | | | |

10 - 00

SUN E1



Поставщик в Республике Беларусь, Частное предприятие "Движение Воды"
 Тел.: 8 (029) 183-85-06, МТС 8 (033) 386-80-72



| Pos. N. | Code Codice | MODIFICAZIONI MODIFICHE ANDERUNGEN MODIFICACIÓN | | | Up to serial nr. Fino a matricola |
|---------|------------------------------|---|-----|--|-----------------------------------|
| | | SYMBOLS SIMBOLI | ECI | | |
| 21 | 1 030 2015 (BEARING - 0.75) | | X | | |
| 33 | 1 030 0036A (BEARING - 0.75) | | X | | |

| Pos. N. | DESCRIPTION DESCRIZIONE | Quantity (Q.tà) | | | | 8 | NUT | 1 | 1 | 1 | 1 | 17 | KEY | 1 | 1 | 1 | 1 | 27 | THRUST WASHER + 0.00 | 2 | 2 | 2 | 2 |
|---------|-------------------------|-----------------|------|------|------|----|---------------|---|---|---|---|----|-----|---|---|---|---|----|----------------------|---|---|---|---|
| | | 2105 | 3105 | 4105 | 6105 | | | | | | | | | | | | | | | | | | |
| 1 | CRANKSHAFT ASS.LY | | | | 1 | 10 | SCREW | | | | | | | | | | | | | | | | |
| 2 | CRANKSHAFT ASS.LY | | | 1 | | 11 | SCREW | | | | | | | | | | | | | | | | |
| 3 | CRANKSHAFT ASS.LY | | 1 | | | 12 | FLANGE | | | | | | | | | | | | | | | | |
| 4 | CRANKSHAFT ASS.LY | | | | | 13 | FLAT WASHER | | | | | | | | | | | | | | | | |
| 5 | GEAR | 1 | 1 | 1 | 1 | 14 | SCREW | | | | | | | | | | | | | | | | |
| 6 | KEY | 1 | 1 | 1 | 1 | 15 | SPRING WASHER | | | | | | | | | | | | | | | | |
| 7 | KEY | 1 | 1 | 1 | 1 | 16 | BEARING | | | | | | | | | | | | | | | | |

У нас вы можете заказать полный каталог
 детализировки двигателя, звоните, телефон сверху
 страницы

05 - 01