

Product Information

Materials testing machine with hydraulic drive Z1600H



Figure: Zwick Z1600H with hydraulic grips

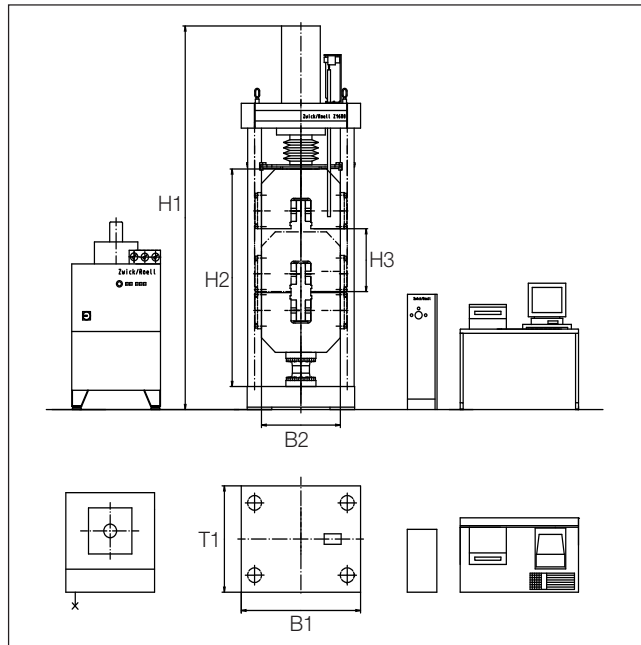


Figure: Drawing of Zwick Z1600H with hydraulic grips

Key benefits

- These hydraulic materials testing machines have a single, central hydraulic drive.
- Optionally available with an adjustable top crosshead, allowing the test area to be adjusted to customers' requirements.
- High-resolution, channel-synchronized measurement technology provides extremely precise, accurate determination of material characteristic values. No range-switching is necessary as load signal resolution is available over the whole range.
- Wide measuring range allows even small test loads to be determined accurately without re-tooling.

Further advantages and features

- Extremely stiff, robust load frame.
- Standard tests using Zwick *testXpert*® software require only single-button operation.
- Modular design throughout the system allows the entire Zwick accessory range to be used, including a wide variety of extensometers, specimen grips and other test tools.
- Should new test requirements arise, additional test tools (e.g. calibration blocks) can very easily be installed by means of a T-slot or screw system.
- Can be tailored to customers' specific requirements (e.g. test devices, specimen grips, test speed ranges, testing software).

Product Information

Materials testing machine with hydraulic drive Z1600H

Model	Z1600H	Z1600H
Fmax [kN]	1600	1600
Top crosshead	fixed	adjustable
Number of lead columns	4	4
Stiffness of the load frame at Fmax (without specimen grips and load cell) approx. [kN/mm]	1600	1600
Dimensions of load frame		
H1 – Height [mm]	3661	max. 4414
B1 – Width [mm]	1210	1210
T1 – Depth [mm]	1015	1015
Dimensions of test area		
H2 – Height [mm]	2076	max. 2834
B2 – Width [mm]	800	800
H3 – Test stroke max. [mm]	600	600
Test speed max. [mm/min]	250	250
Weight		
without tools / specimen grips (with electronics) [kg]	5000	5900
with specimen grips [kg]	7200	8100
Specific floor loading [kg/cm ²]	2.1	2.4
Resolution of drive [µm]	0.16	0.16
Position accuracy [mm]	± 0.01	± 0.01
Item no.	• 010207 (BPC-F1600HN.F15)	• 643074 (BPC-F1600HN.M15)

Environmental conditions		
Operating temperature [°C]	+10 ... +35	
Storage temperature [°C]	-25 ... +55	
Humidity range (not condensing) [%]	≤ 90	
Electrical connection		
Mains voltage 3 Ph/N/PE ^{1 2} [V]	400	
Mains frequency [Hz]	50	
Drive power [kVA]	20	
Fuse [A]	40	
Noise level in 1m distance [dB(A)]	67	
Color coating of rack	RAL7011 (iron gray), RAL7038 (agate gray)	

¹ Three phase AC motor (L1, L2, L3), neutral wire N, protective earth PE

² < ± 10 % related to the mains voltage