

Data sheet

MBV 2000 Isolation valve

Type MBV 2000



The MBV 2000 isolation valve is designed for mounting between Danfoss pressure transmitters with DIN 3852 - E pressure connection and fluid-filled systems.

The isolation valve automatically closes when a transmitter is removed, so transmitters can be changed easily without having to first drain a system. The valve reopens when a transmitter is connected.

Features

- Compact design
- Fast and easy installation and removal
- Simple and effective isolation

Technical data

Performance

Pressure	Operating pressure Burst pressure	Up to 600 bar 1500 bar
Temperature	Operating temperature	-20 – 200 °C

Materials

Wetted parts	All metal parts in contact with the medium	DIN 17440-1.4404 (AISI 316 L)
Gasket	Viton	–
System medium	The valve is impervious to fuel oil, oil and air	It is not recommended for use with petroleum, combustible gasses or corrosive chemicals.

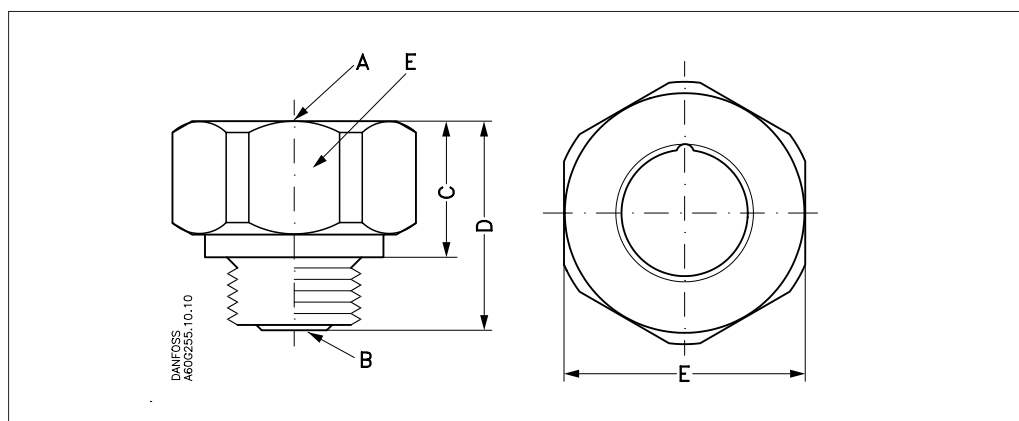
Mounting

Packaging	Isolation valves are supplied with two plastic protective covers which should be removed prior to use.
Locking / fixing	For safety, it is essential that the isolation valve is thoroughly secured to the system prior to connecting / disconnecting a transmitter. The valve must not become loose when a transmitter is being removed.
Fitting & removal	It is recommended to remove or fit transmitters at a system pressure below 40 bar.

Application note:

The MBV 2000 must only be used to connect Danfoss transmitters with a pressure connection in compliance to DIN-3852-E.

Specification and code numbers for standard types



Type	A	B	C [mm]	D [mm]	E	Code no.
MBV 2000-111	G ¼ DIN 3852	G ¼ A DIN 3852-E	17.5	29.4	24	061B6001
MBV 2000-123	G ¼ DIN 3852	G ½ A DIN 3852-E	15.4	29.4	30	061B6002
MBV 2000-223	G ½ DIN 3852	G ½ A DIN 3852-E	20.4	34.4	30	061B6003

Ordering of special versions

	Type no: MBV 2000-	X	X	X
	Female thread:			
	G ¼ DIN 3852.....	1		
	G ½* DIN 3852.....	2		
	Others.....	X		
	Male thread:			
	G ¼ DIN 3852-E.....		1	
	G ½* DIN 3852-E.....		2	
	¼-18 NPT DIN 3866-A.....		3	
	Others.....		X	
Width across flats				
E 24.....			1	
E 27.....			2	
E 30.....			3	
Others.....			X	
* E 27 & E 30 only				
Ordering of special versions will impose an additional cost and extended delivery times. Minimum order quantity: 12 parts.				