

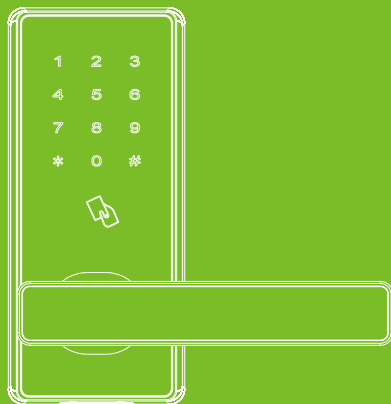
# Installation Guide

## DL30DB Digital Lock with Voice Guide Feature

---

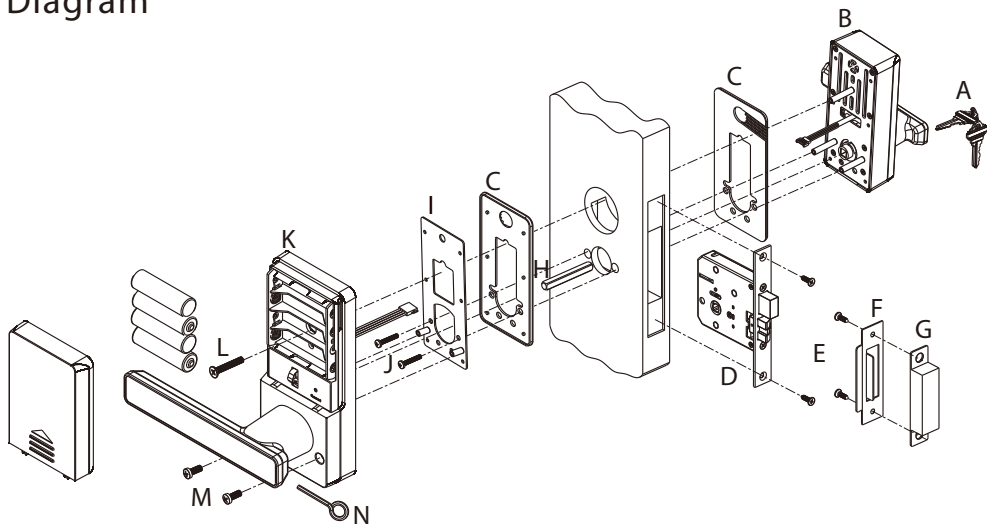
Version: 1.0

Date: July,2017

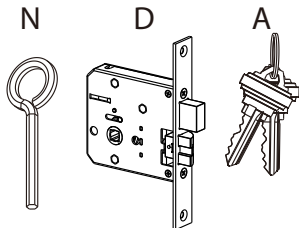
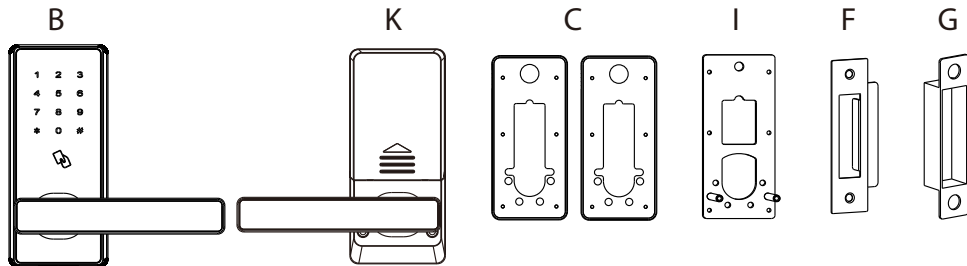


# Before Installation

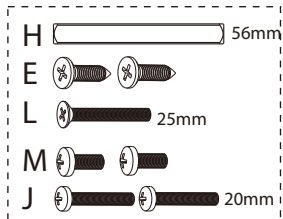
## Diagram



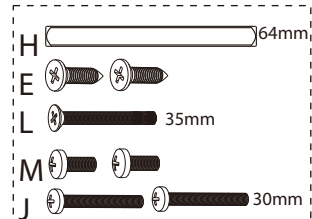
# Packing List



Mounting Hardware Package  
for door thickness of 30-38mm



Mounting Hardware Package  
for door thickness of 39-46mm



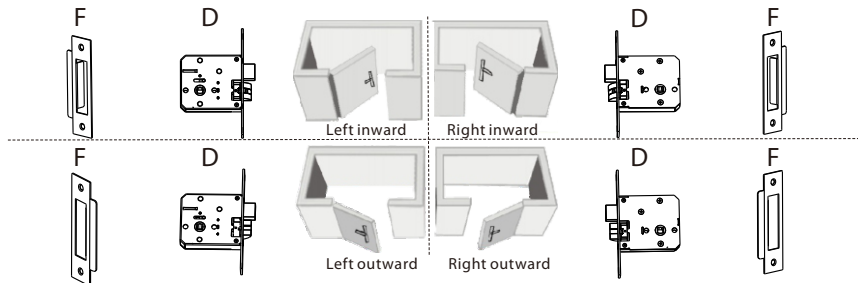
# Door Preparation

1. Check the door thickness and prepare the corresponding mounting hardware package.

Door Thickness (mm)	H Spindle Length (mm)	J Screw Length (mm)	M Screw Length (mm)	L Screw Length (mm)
30~38	56	20	10	25
39~46	64	30	10	35
47~54	72	35	10	40
55~60	80	45	10	50

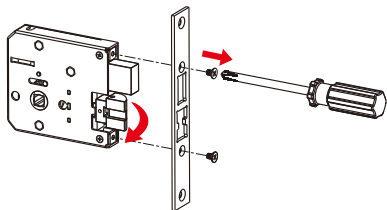
**Note:** The standard lock includes 2 mounting hardware packages only, which are used for the door thickness of 30-38mm and 39-46mm separately.

2. Check door opening direction.

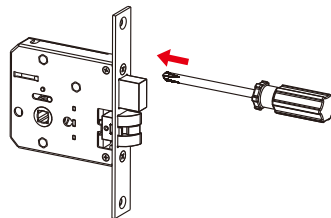


**Note:** Please refer to the above picture to adjust the direction of strike plate F and latch D.

### 3. Change latch (D) direction.

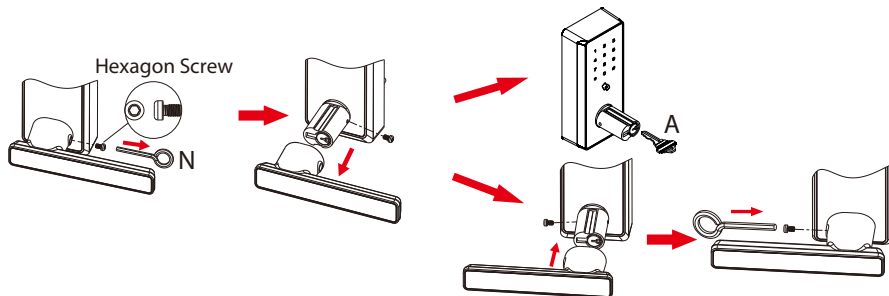


Remove screws from the latch trim panel with a screwdriver and rotate the latch bolt at 180°.



Fix the latch trim panel by using screws.

### How To Use Mechanical Key And Change Handle Direction?

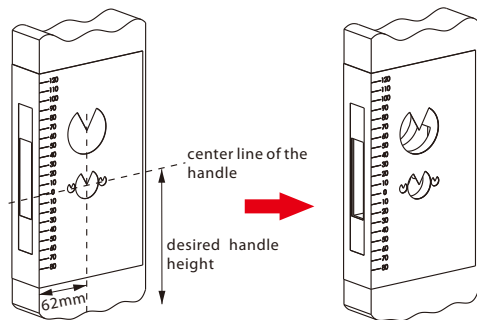


# Remarks

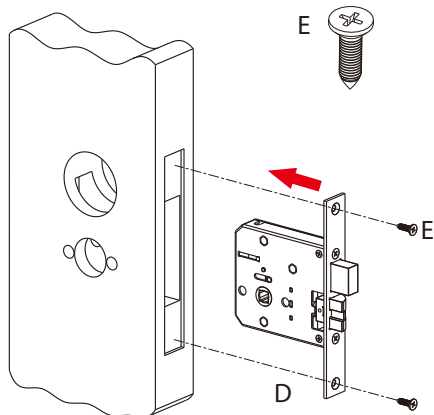
1. New lock is configured to grant any password or card access.
2. The lock is equipped with mechanical keys for manual unlocking. Remove mechanical keys from the package and keep them in a safe place.
3. To power up the lock, four alkaline AA batteries (not included) are required. Non-alkaline and rechargeable batteries are NOT recommended.
4. The operation of lock setting has a stand-by time limit of 10 seconds; if there is no any activity, the lock will shut off after 10 seconds.

# Installation

## 1. Drill holes on the door.



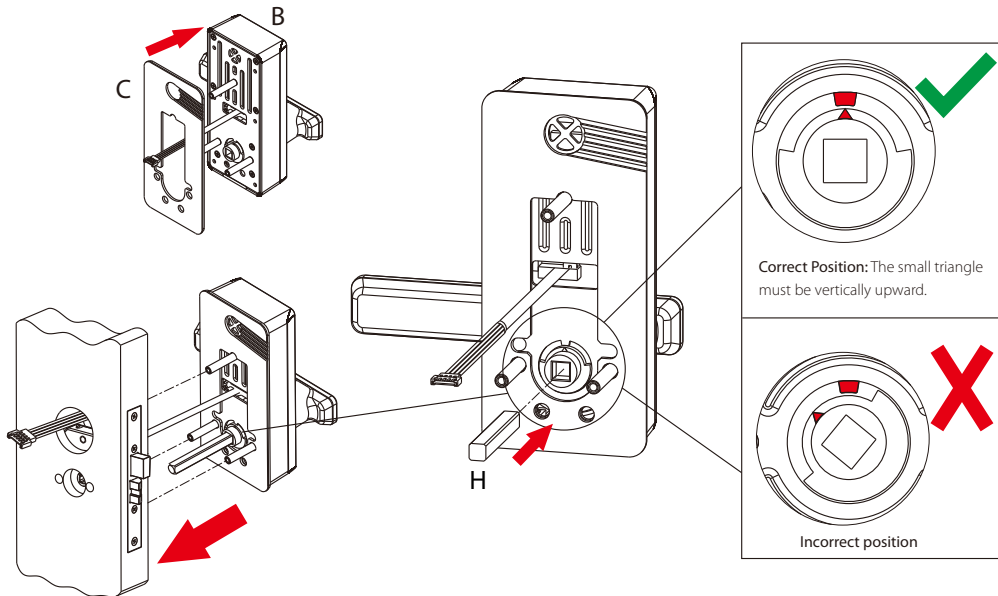
## 2. Install the latch (D).



**Note 1:** Align the template along the vertical center line of the latch (D) at the desired handle height, and tape it to the door.

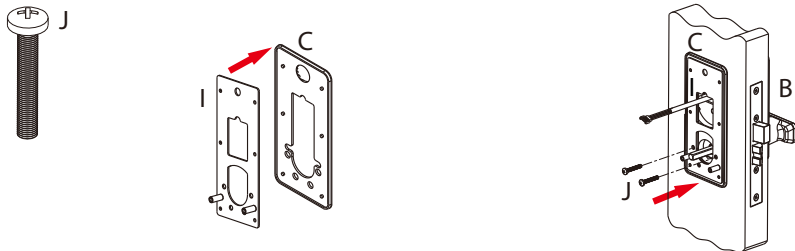
**Note 2:** Mark the holes first, and then start drilling.

### 3. Install outdoor unit (B) with gasket (C) and spindle (H) on the door.

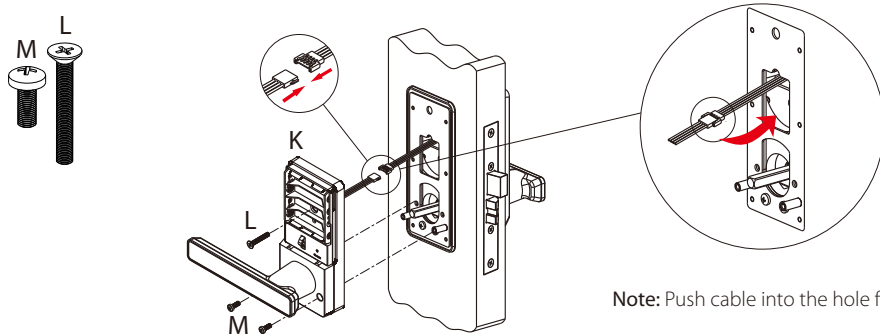




4. Install mounting plate (I) with gasket (C) on the door.

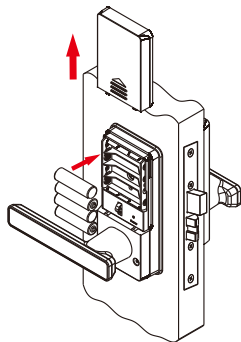


5. Install indoor unit (K).

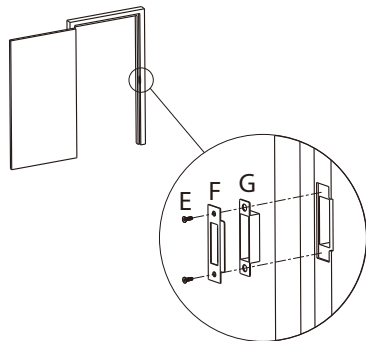
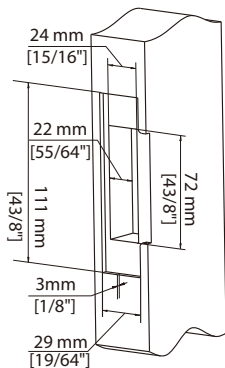


**Note:** Push cable into the hole first.

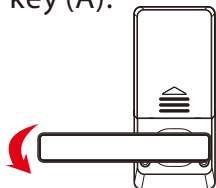
## 6. Insert batteries.



## 7. Mark and drill holes for the strike.



## 8. Test the lock by rotating the back handle and using the mechanical key (A).



**Note:** When the door is locked and the clutch is idle, the front handle can be turned, but the door will remain locked.