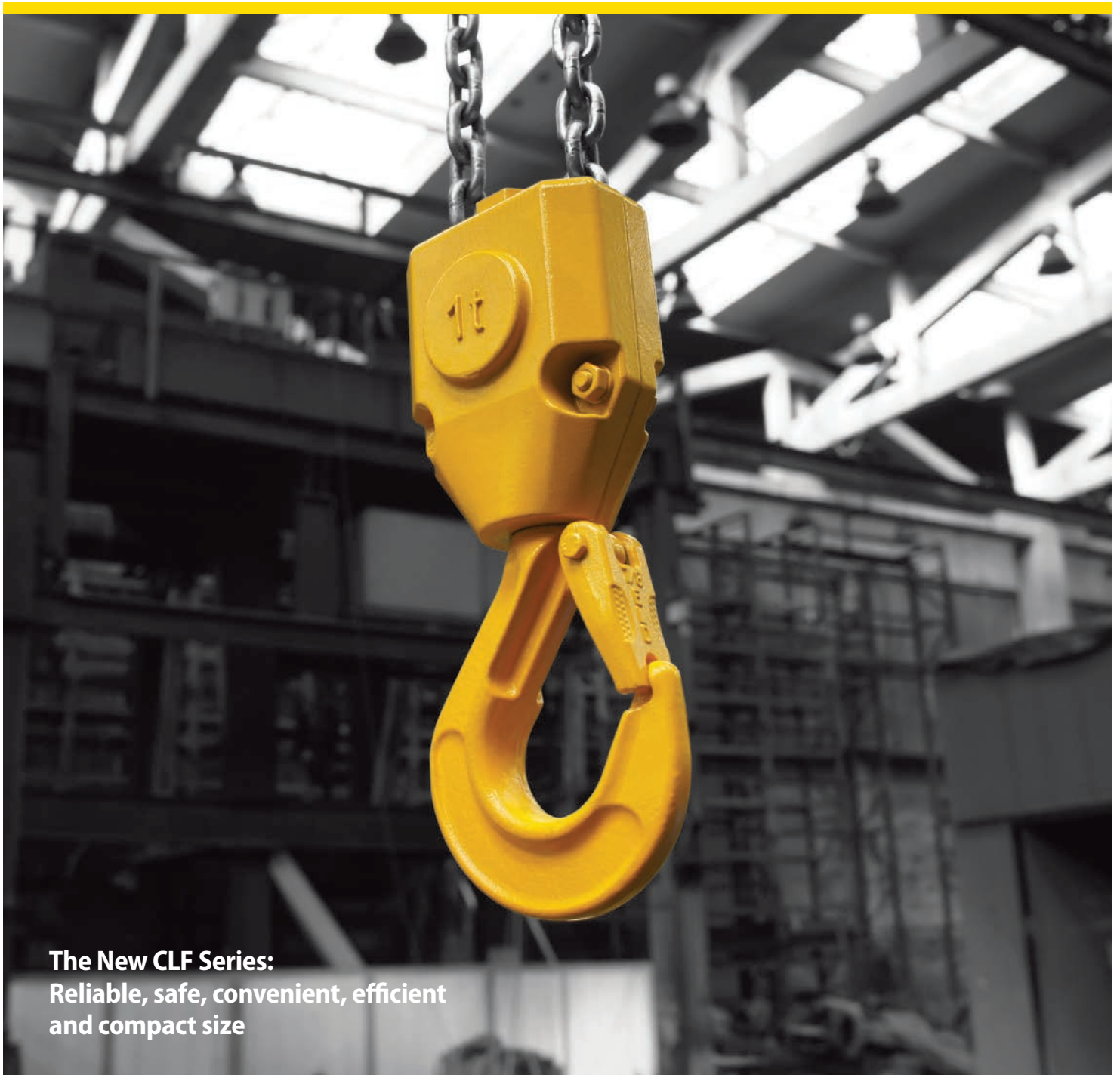


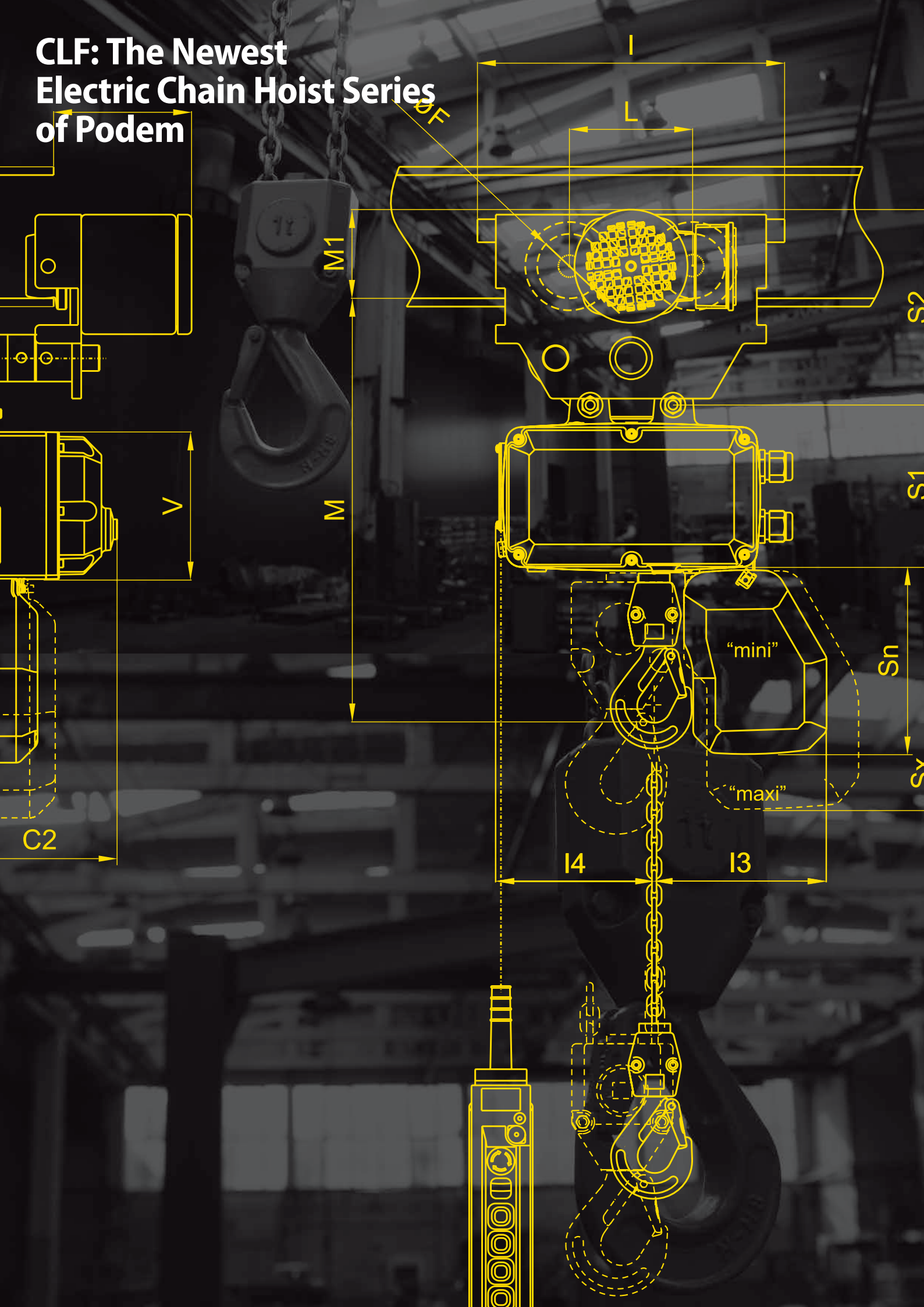
Electric Chain Hoists

CLF & CLW Series



The New CLF Series:
Reliable, safe, convenient, efficient
and compact size

CLF: The Newest Electric Chain Hoist Series of Podem



Experience & Know-how by Podem

Podem chain hoists are durable lifting solution for a jib crane or for an overhead travelling crane

Both hoist CLF and CLW series gives many years of powerful performance and easy maintenance.

Capacity range:

- The new CLF hoist series (from 125 to 2000 kg) replaces CLN series
- CLW hoist series, from 2000 to 5000 kg

Both series are available with eye or top hook suspension, push or, electric power travel trolleys.

Advantages:

- Safety and high reliability
- High quality
- Compact size
- Excellent price/performance ratio



Technical Features		
Hoist Features	New CLF Series	CLW Series
Capacity	125 kg to 2000 kg	2000 kg to 5000 kg
Lifting Speeds, Type	Double	Single*, Double
Main Lifting Speeds, m/min	From 4 to 8 m/min	From 4 to 8 m/min
Electric Motor	Cylindrical 3-phase Motor	Cylindrical 3-phase Motor
Electric Motor Fan	No	Yes
Operating Voltage	380–415 V / 50 Hz	400 V
Hoist Brake	85/95 V DC Electro-magnetic	105 V DC Electro-magnetic
Low Voltage Panel	Yes	Yes
Control Voltage	48 V	24 V
Gear-box	Helical	Planetary
FEM Group	1 Am, 2 m	2 m
Number of Starts per Hour	180 to 240	240
Duty Cycle	10+30% or 15+40%	15+40%
IP Protection	IP55	IP55, IP65*
Overload Limiter	Slipping Clutch	Slipping Clutch
End Switch for Lifting	Optional*	Yes
Chain Type	Galvanized, Class DAT, EN818-7	Galvanized, Class DAT, EN818-7
Chain Size	2 Types	2 Types
Chain Container	2 Types (Plastic)	4 Types (Plastic, Textile or Metal)
Electric Trolley Speed, m/min	20/6, 20, 10	14/7, 14, 7*
Push Trolley	Yes	Yes
Top Hook	Yes	Yes
Operating Temperature	-10 / +40 °C	-10 / +50 °C

* On request

CLF Series

Capacity from 125 to 2000 kg

CLF-E

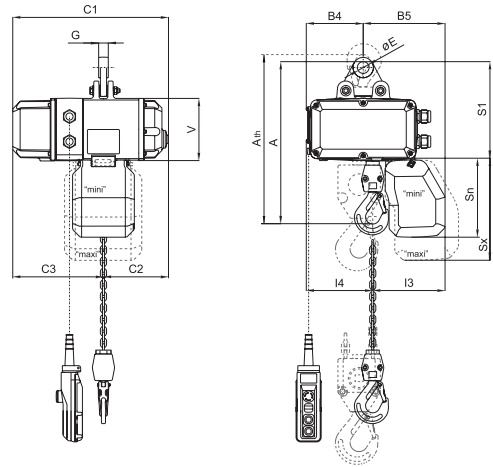
Eye Bolt



Top Hook



Eye Bolt Suspension



Type CLF-E (Eye Bolt)																						
Model	Capacity (kg)	FEM	Speed (m/min)	Lifting Motor (kW)	Chain Diameter	Chain Falls	Min Headroom				Dimensions											Weight 3 m Lift
							A	A th	B4	B5	C1	C2	C3	ØE	G	I3	I4	Sn*	S1	S1 th	V	
0.1 CLF1 ...E	125	3 m	8/2	0.09/0.36	5	1	420	445	148	212	404	169	235	24,5	25	187	172	205	250	275	162	35
0.2 CLF1 ...E	250	2 m	5/1.3	0.09/0.36	5	1	420	445	148	212	404	169	235	24,5	25	187	172	205	250	275	162	35
0.2 CLF1 ...E	250	1 Am	8/2	0.09/0.36	5	1	420	445	148	212	404	169	235	24,5	25	187	172	205	250	275	162	35
0.5 CLF2 ...E	500	2 Am	5/1.3	0.18/0.75	5	1	420	445	148	212	404	169	235	24,5	25	187	172	205	250	275	162	35
0.5 CLF2 ...E	500	1 Am	8/2	0.18/0.75	5	1	420	445	148	212	404	169	235	24,5	25	187	172	205	250	275	162	35
1 CLF2 ...E	1000	1 Am	4/1	0.18/0.75	5	2	456	481	148	212	404	169	235	30,5	25	187	172	205	250	275	162	37
1 CLF3 ...E	1000	1 Am	8/2	0.45/1.90	7	1	454	497	174	260	452	186	266	36,5	30	271	162	260	285	328	182	58
2 CLF3 ...E	2000	1 Am	4/1	0.45/1.90	7	2	541	584	174	260	452	186	266	36,5	30	271	162	260	285	328	182	61

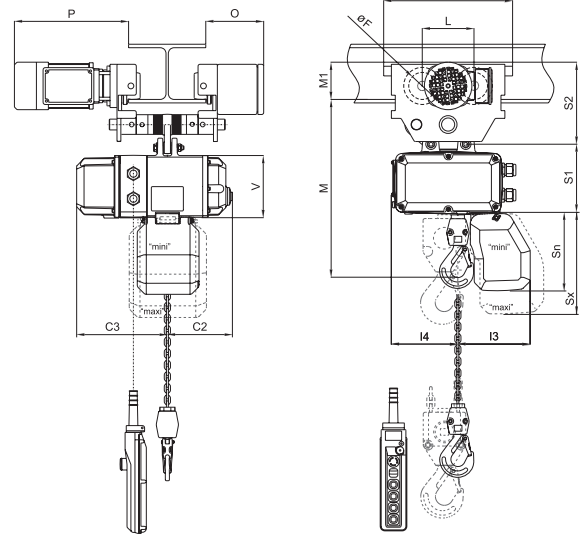
* Small chain collector up to 11 m chain

CLF-P

Push Trolley



Push Trolley



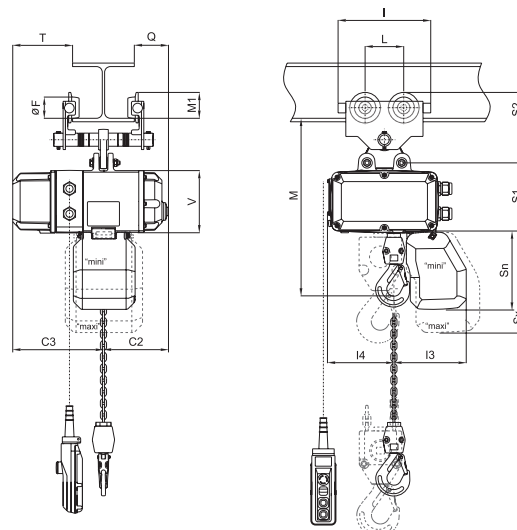
Type CLF-P (Push Trolley)																						
Model	Capacity (kg)	FEM	Speed (m/min)	Lifting Motor (kW)	Chain Diameter	Chain Falls	Min Headroom				Dimensions											Weight 3 m Lift
							M	C2	C3	ØF	I	I3	I4	L	M1	Sn*	S1	S2	T	Q	V	
0.1 CLF1 ...P	125	3 m	8/2	0.09/0.36	5	1	425	169	235	55	240	187	172	100	67	205	250	183	105	88	162	41
0.2 CLF1 ...P	250	2 m	5/1.3	0.09/0.36	5	1	425	169	235	55	240	187	172	100	67	205	250	183	105	88	162	41
0.2 CLF1 ...P	250	1 Am	8/2	0.09/0.36	5	1	425	169	235	55	240	187	172	100	67	205	250	183	105	88	162	41
0.5 CLF2 ...P	500	2 Am	5/1.3	0.18/0.75	5	1	425	169	235	55	240	187	172	100	67	205	250	183	105	88	162	41
0.5 CLF2 ...P	500	1 Am	8/2	0.18/0.75	5	1	425	169	235	55	240	187	172	100	67	205	250	183	105	88	162	41
1 CLF2 ...P	1000	1 Am	4/1	0.18/0.75	5	2	500	169	235	78	286	187	172	120	87	205	250	203	105	88	162	48
1 CLF3 ...P	1000	1 Am	8/2	0.45/1.90	7	1	462	186	266	78	286	271	162	120	87	260	285	203	186	107	182	70
2 CLF3 ...P	2000	1 Am	4/1	0.45/1.90	7	2	555	186	266	80	316	271	162	132	94	260	285	210	186	107	182	80

* Small chain collector up to 11 m chain

CLF-N Electric Trolley



Electric Trolley



Type CLF-N (Electrical Trolley)																						
Model	Capacity (kg)	FEM	Speed (m/min)	Lifting Motor (kW)	Chain Diameter	Chain Falls	Min Headroom		Dimensions											Weight 3 m Lift		
							M	C2	C3	ØF	I	I3	I4	L	M1	Sn*	S1	S2	O		P	V
0.1 CLF1 ...N	125	3 m	8/2	0.09/0.36	5	1	460	169	235	70	334	187	172	134	97	205	250	216	150	296	162	76
0.2 CLF1 ...N	250	2 m	5/1.3	0.09/0.36	5	1	460	169	235	70	334	187	172	134	97	205	250	216	150	296	162	76
0.2 CLF1 ...N	250	1 Am	8/2	0.09/0.36	5	1	460	169	235	70	334	187	172	134	97	205	250	216	150	296	162	76
0.5 CLF2 ...N	500	2 Am	5/1.3	0.18/0.75	5	1	460	169	235	70	334	187	172	134	97	205	250	216	150	296	162	76
0.5 CLF2 ...N	500	1 Am	8/2	0.18/0.75	5	1	460	169	235	70	334	187	172	134	97	205	250	216	150	296	162	76
1 CLF2 ...N	1000	1 Am	4/1	0.18/0.75	5	2	495	169	235	70	334	187	172	134	97	205	250	216	150	296	162	85
1 CLF3 ...N	1000	1 Am	8/2	0.45/1.90	7	1	578	186	266	70	334	271	162	134	97	260	285	216	150	296	182	106
2 CLF3 ...N	2000	1 Am	4/1	0.45/1.90	7	2	660	186	266	70	334	271	162	134	97	260	285	216	150	296	182	116

* Small chain collector up to 11 m chain

The CLF is the newest electric chain hoist series of Podem

Based on the experience of series CLN and feedback of the market new CLF offers again very reliable product with excellent price/performance ratio.

Advantages:

- Simple and compact design
- Easy to adjust and minimum installation time
- High quality European components

Housing

Aluminium die cast body, compact, light and rugged, motor and control panel made with shock resistant plastic.

Hoist Motor

Three-phase asynchronous pole change motor with cylindrical rotor with insulation class F.

Brake

Electro-mechanical disk brakes FD type allow quick and safe stopping in any operating mode. CLF hoist brakes as standard are provided with dust protection ring to improve durability and performances.

Gearbox

Parallel shaft 3 stages gearbox provided with case hardened alloy steel helical gears to allow a very smooth transmission, vibration-free and low noise operations.

Slipping Clutch

The safety clutch operating in oil bath is offered as a reliable overload safety and extends the service life of the gearbox and the motor. It must only be readjusted after 20,000 slipping occurrences.

Low Voltage Control Panel

as standard. The integrated panel, built and wired according to EN 60204-32. The control board is protected inside the hoist aluminium body and sealed with a shock resistant plastic cover complete with rubber gasket to grant IP55 protection.

Push Button Control

Ergonomic compact design, made by ABS copolymer with excellent mechanical intensity and electrical features. IP 66.

Chain

Galvanized alloy steel chain, class DAT, highly resistant to fatigue and wear Conform to EN 818-7.

Chain Container

Durable plastic containers available in two sizes.

Suspension

Modular and outstanding flexibility. Easy exchange of eye bolt or swivel minimizes installation time. Easy switch from 1 to 2 falls operation

Electric Trolley

One metal structure and three type of motor reducers for all CLF range. Universal wheel profile and simply adjustable width for IPE, IPN, HEA or HEB beam types. Compact dimension allow running on curved track. Honed gears teeth reduce the noise level.

CLW Series

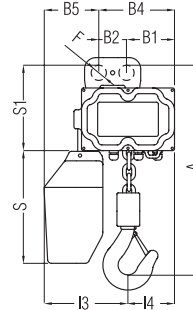
Capacity from 2000 to 5000 kg

CLW-E

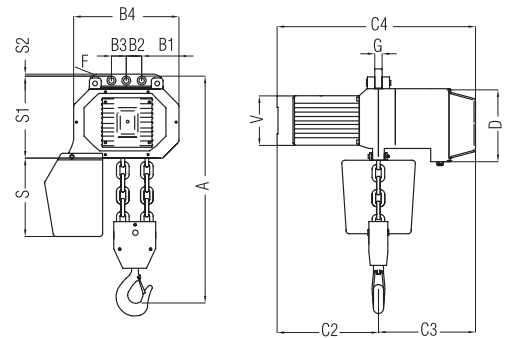
Eye Bolt



2 CLW1 ...E



3.2/4/5 CLW2 ...E



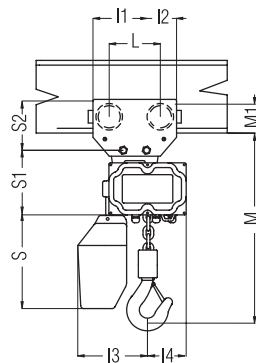
Type CLW-E (Eye Bolt)																								
Model	Capacity (kg)	FEM	Speed (m/min)	Lifting Motor (kW)	Chain Diameter	Chain Falls	Min Headroom		Dimensions													Weight 3 m Lift		
							A	B1	B2	B3	B4	B5	øF	C2	C3	C4	D	I3	I4	S	S1		G	V
2 CLW1 ...E	2000	2m	4/1	0,5/2	10	1	466	127	73	/	273	70	40	345	310	655	168	216	127	290	235	25	168	90
2 CLW2 ...E	2000	2m	8/2	0,7/3	11	1	605	125	54	54	350	85	40	350	330	680	235	220	235	330	300	25	162	98
2.5 CLW2 ...E	2500	2m	8/2	0,8/3,5	11	1	605	125	54	54	350	85	40	350	330	680	235	220	235	330	300	25	162	98
3 CLW2 ...E	3000	2m	4/1	0,7/3	10	2	670	125	54	54	350	85	40	350	330	680	235	270	185	330	300	25	162	113
4 CLW2 ...E	4000	2m	4/1	0,7/3	11	2	685	125	54	54	350	110	40	350	330	680	235	320	185	390	300	25	162	118
5 CLW2 ...E	5000	2m	4/1	0,8/3,5	11	2	685	125	54	54	350	110	40	350	330	680	235	320	185	390	300	25	162	123

CLW-P

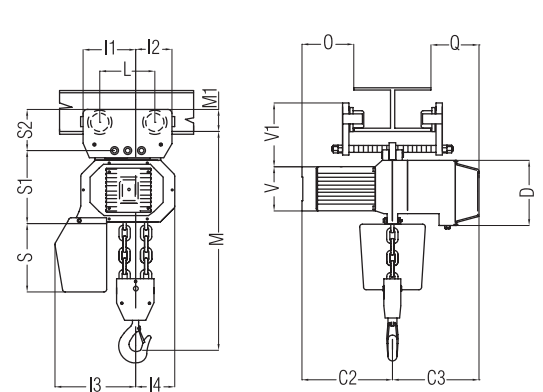
Push Trolley



2 CLW1 ...P



3.2/4/5 CLW2 ...P

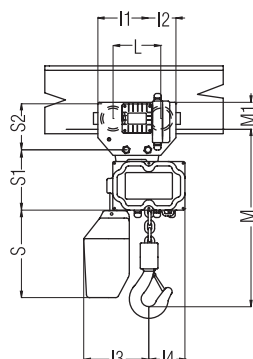


Type CLW-P (Push Trolley)																							
Model	Capacity (kg)	FEM	Speed (m/min)	Lifting Motor (kW)	Chain Diameter	Chain Falls	Min Headroom		Dimensions													Weight 3 m Lift	
							M	C2	C3	D	I1	I2	I3	I4	L	M1	S	S1	S2	V	V1		øWheel
2 CLW1 ...P	2000	2m	4/1	0,5/2	10	1	526	345	310	168	188	107	216	127	162	90	290	235	141	162	195	70	105
2 CLW2 ...P	2000	2m	8/2	0,7/3	11	1	655	350	330	235	150	170	220	235	176	95	330	300	165	162	223	80	125
2.5 CLW2 ...P	2500	2m	8/2	0,8/3,5	11	1	655	350	330	235	150	170	220	235	176	95	330	300	165	162	223	80	125
3 CLW2 ...P	3000	2m	4/1	0,7/3	10	2	717	350	330	235	150	170	270	185	176	95	330	300	165	162	223	80	135
4 CLW2 ...P	4000	2m	4/1	0,7/3	11	2	735	350	330	235	150	170	320	185	176	95	390	300	165	162	223	80	140
5 CLW2 ...P	5000	2m	4/1	0,8/3,5	11	2	735	350	330	235	150	170	320	185	176	95	390	300	165	162	223	80	145

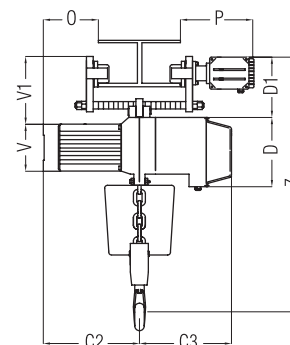
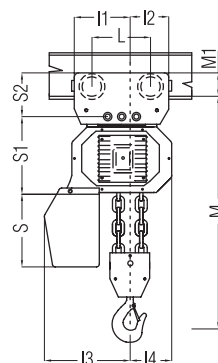
CLW-N Electric Trolley



2 CLW1 ...N



3.2/4/5 CLW2 ...N



Type CLW-N (Electrical Trolley)																								
Model	Capacity (kg)	FEM	Speed (m/min)	Lifting Motor (kW)	Chain Diameter	Chain Falls	Min Headroom				Dimensions										Weight 3 m Lift			
							M	C2	C3	D	I1	I2	I3	I4	L	M1	P	S	S1	V		V1	Z	øWheel
2 CLW1 ...N	2000	2m	4/1	0,5/2	10	1	685	345	310	168	150	170	220	235	162	90	268	290	235	223	195	134	70	115
2 CLW2 ...N	2000	2m	8/2	0,7/3	11	1	655	350	330	235	150	170	220	235	176	95	310	330	300	162	223	710	80	134
2.5 CLW2 ...N	2500	2m	8/2	0,8/3,5	11	1	655	350	330	235	150	170	220	235	176	95	310	330	300	162	223	710	80	134
3 CLW2 ...N	3000	2m	4/1	0,7/3	10	2	715	350	330	235	150	170	270	185	176	95	310	330	300	162	223	835	80	140
4 CLW2 ...N	4000	2m	4/1	0,7/3	11	2	735	350	330	235	150	170	320	185	176	95	310	390	300	162	223	850	80	150
5 CLW2 ...N	5000	2m	4/1	0,8/3,5	11	2	735	350	330	235	150	170	320	185	176	95	310	390	300	162	223	850	80	158

The heavy CLW series are designed for a high duty cycle and proven reliability

CLW are produced from certificated and tested materials to ensure the high quality level and reliability at competitive cost.

Advantages:

- High duty level
- Powerfull
- High quality European components

Housing

The hoist body is without plastic components.

Hoist Motor

The 3-phase dual speeds motor with insulation class F. IP 55 against ingress of dust and water, IP 65 upon request. The hoists 3000/4000/5000 have a standard fan assisted motor for better cooling and increased duty cycles.

Brake

Due to the high quality of electrical contractors used and the 400 V AC brake Podem guarantee the WR series hoists for more than 240 operations per hour.

Gearbox

The gears are manufactured from high tensile steel and are hardened and heat treated for smooth operation and maximum life span.

Low Voltage Control Panel

High quality components mounted on a steel backing plate, a transformer for low voltage (24 V) guarantee up to 240 operations per hour.

Upper & Lower Electric Limit Switches

CLW series hoists are supplied with limit switches to prevent hook over travel and prevent the use the clutch as an ultimate limit and extending the life of the clutch and gearbox. They are manufactured with two micro switches that operate on the auxiliary circuit of the hoist contactors cutting out operating contactor in the direction of lift.

Slipping Clutch

The hoists are also equipped with a slipping clutch that is set to 125% of the working load limit to prevent accidental overloading.

Chain

Galvanized alloy steel chain, class DAT, highly resistant to fatigue and wear Conform to EN 818-7.

Guide Chain

The hoists central body and patented chain guide are machined from one single casting, this allows precise positioning of the load chain into the load sprocket.

Electric Trolley

Two type divide by capacity with fix anti-drip plate. Heavy duty design and greater durability and safety. Heat-treated tooth profile of the wheels to guarantee the long life. Travel limit switch to prevent damaging available.

Chain Hoist CL Series Code Breakdown

Example	1	CL	F1	H6	V4	1/1	M	N	52	10	-	-
Capacity (t)	0.1, 0.2, 0.5, 1, 2, 2.5, 3, 4, 5											
Series	CL											
Hoist Size	F1, F2, F3, W1, W2											
Standart Height of Lift H (m)	H3, H4, ... H12, ...											
Lifting Speed V (m/min)	4, 5, 8											
Falls of Chain	1/1, 2/1											
Speed Type for Lifting Speed	M (Micro), S (Single), I (Inverter)											
Hoist Type	N (Normal Headroom), E (Eye Bolt), P (Push Trolley), TH (Top Hook)											
Electro Equipment Podem Code	52, 53											
Electric Trolley Speed (m/min)	7, 10, 14/7, 20, 20/6											
Second Brake	- (No), C (Yes)											
Special Climate Execution	- (Standard), F (Cold), T (Tropical), X (Chemical)											

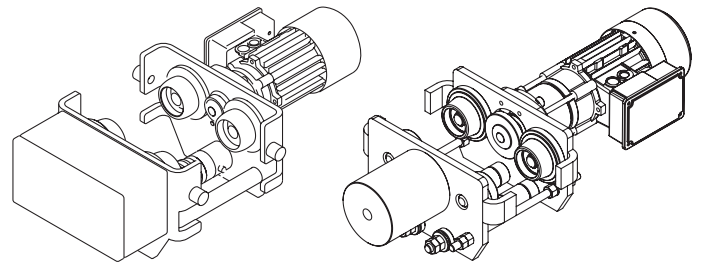
Trolley Models

Monorail Trolley Range							
Hoist Type	Capacity (kg)	Trolley Model	Beam Flange b* (mm)	Speed	Motor	Power	RPM
P	500	P500 CLF	62±152	-	-	-	-
P	1000	P1000 CLF	80±200	-	-	-	-
P	2000	P2000 CLF	106±200	-	-	-	-
N	2000	KM70 20	60±200	20	KT 63B-4 86	0,18	1440
N	2000	KM70 10	60±200	10	KT 71B-8 86	0,12	720
N	2000	KM70 20/6	60±200	20/6	KT71 B-12/4	0.06/0.2	480/1440
N	3000	ET3000 01	100±200	14	KR71 B-2 86	0,2	2880
N	3000	ET3000 02	100±200	14/7	KR71 B-8/2 86	0.1/0.2	980/2880
N	5000	ET5000 01	100±200	14	KR71 B-2 86	0,5	2880
N	5000	ET5000 02	100±200	14/7	KR71 B-8/2 86	0.2/0.5	980/2880

* Different size available on request

KM Monorail Trolley

ET Monorail Trolley



Hook Models

Pull of Chain 1/1								
Capacity (kg)	a	b	c	d	e	f	g	s
125	79	84	28	57	25	39	88	19
200	79	84	28	57	25	39	88	19
250	79	84	28	57	25	39	88	19
500	79	84	28	57	25	39	88	19
1000	79	84	28	57	25	39	88	19
2000*	88	135	38	60	40	68	50	38
2500*	114	135	38	78	40	68	50	38

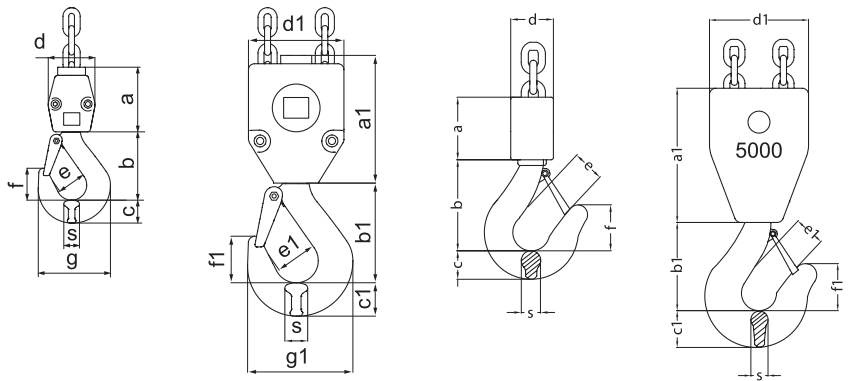
Pull of Chain 1/2								
Capacity (kg)	a1	b1	c1	d1	e1	f1	g1	s
1000	107	84	28	80	25	39	88	19
2000	148	103	33	110	34	44	111	24
3200	213	145	38	152	40	73	50	38
4000	213	145	45	152	45	73	56	45
5000	213	145	45	152	45	73	56	45

CLF Hook Block 1/1

CLF Hook Block 2/1

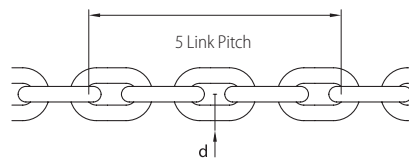
CLW Hook Block 1/1
DIN 15401

CLW Hook Block 2/1
DIN 15401



Chain

Chain 818-7, DAT					
Nominal Diameter (mm)	Pitch (mm)	5 Link Pitch (mm)		Tolerance Limit (d)	Weight (kg/m)
		Standard	Limit		
5	15	75	77,5	4,5	0,54
7	21	105	108,5	6,3	1,1
10	28	140	135	9	2,1
11	31	155	149,5	9,9	2,7



Podemcrane AD

1 General Nikolov St.
5300 Gabrovo, Bulgaria
t: +359 66 801 375
f: +359 66 801 390
sales@podem.bg
podem.bg



Electric Chain Hoists

CLF & CLW Series

August 2015