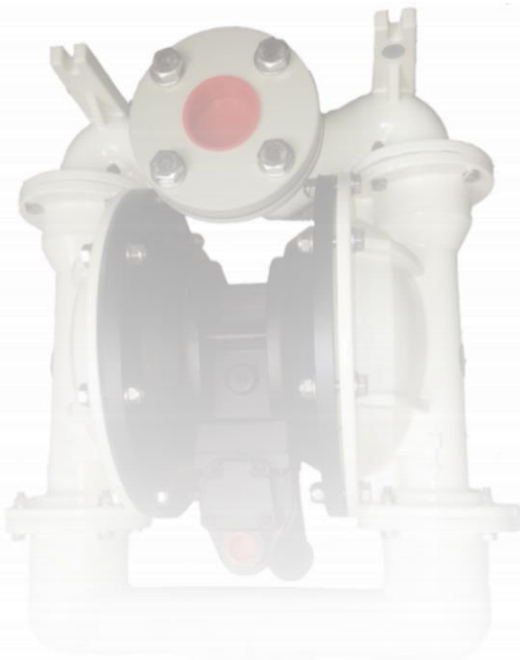




Test report included !
Prüfbericht inklusive!



- Capacity 8 - 240 l/min
- 1-1/2" connections (Counter Flanges not included)
- High suction lift (8,5 mtr)
- Standard equipped with Santoprene diaphragms & valves
- Suitable for high Viscous liquids
- Low noise (78 dBa)
- Pump body: Alu. (Komaxit coated)
- Suitable for abrasive liquids
- Low air-consumption !
- Dry running capability
- Low maintenance and parts costs
- Bolted (SST) leakage free design
- No Air leakage at liquid stop
- Made in EU

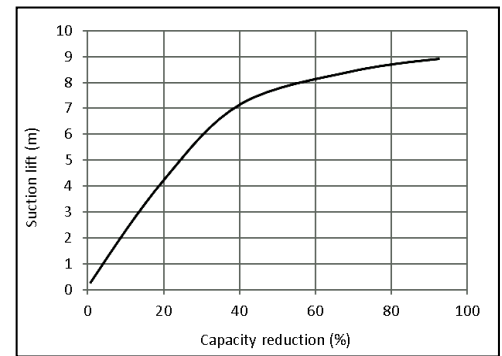
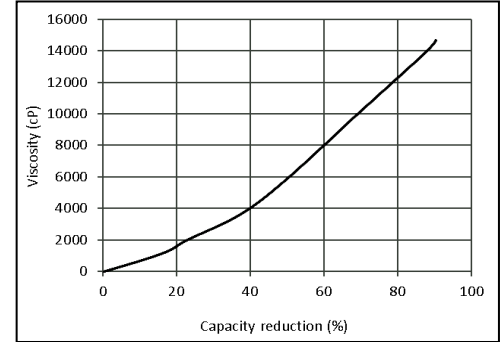
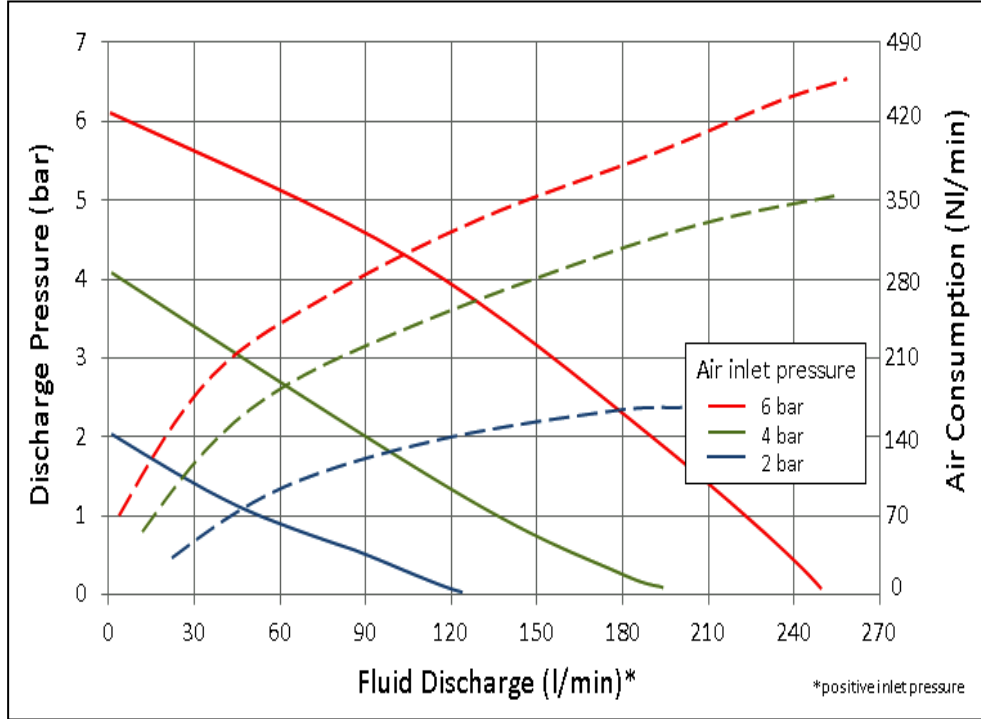
- Kapazität 8 - 240 l/min
- 1-1/2" Anschlüsse
- Hohe Saugleistung (8,5 Mtr)
- Standardmässig mit Santoprene Membranen und Ventilen ausgestattet
- Geeignet für hochviskose Medien
- Äusserst leise (78 dBa)
- Pumpengehäuse: Alu.(Komaxit beschichtet)
- Beständig gegen abrasive Flüssigkeiten
- Geringer Luftverbrauch
- Trockenlauf geeignet
- Niedrige Wartungs- und Ersatzteilkosten
- Bolzen (SST) leckagefrei Ausführung
- Bei Betriebsstopp kein Druckluftverlust
- Made in EU

APPLICATIONS

CHEMICALS • SOLVENTS • PLATING • ACIDS • OILS • INKS • GLUES • ALKALIES • ENAMEL
POLYESTER PAINT • WASTE WATER • COOLING LIQUIDS • FOAMS • HYDRAULIC OILS

xylem
Let's Solve Water

Flowchart 1-1/2" Series / Flusssdiagramm 1-1/2" Series

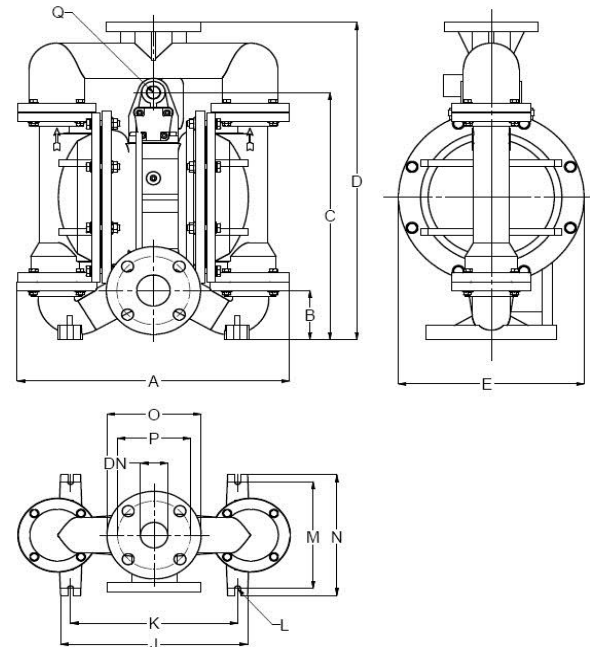


Available types - Verfügbare Typen

Type	liquid wetted parts - Temperature Limits
T240-AX-D	Alu / Santoprene 0 to +100 degr.C.
T240-ANB-D	Alu / NBR 0 to + 82 degr.C.
T240-ATW	Alu / PTFE + 4 to +100 degr.C.

Air-motor made from POM-C

- A** = Aluminium body
- X** = Santoprene diaphragms & valve balls
- NB** = NBR diaphragms & valve balls
- TW** = Teflon vulcanised diaphragms & teflon valve balls
- D** = Domed shaped diaphragms (extended lifetime!!)



A	367 mm	J	252 mm	O	127 mm
B	71 mm	K	225 mm	P	99 mm
C	358 mm	L	8 mm	DN	45 mm
D	460 mm	M	155 mm		
E	250 mm	N	175 mm		
H	209 mm	Q	3/8" BSP fem.	Weight :	18 kg.

xylem
Let's Solve Water