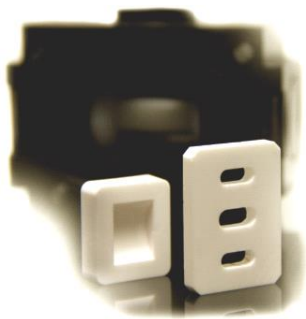




Test report included !



Maintenance Free
Ceramic Air-Valve Parts

Wartungsfrei
Lüftungsventilteile aus Keramik

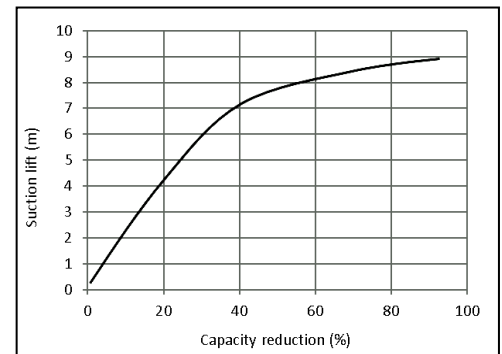
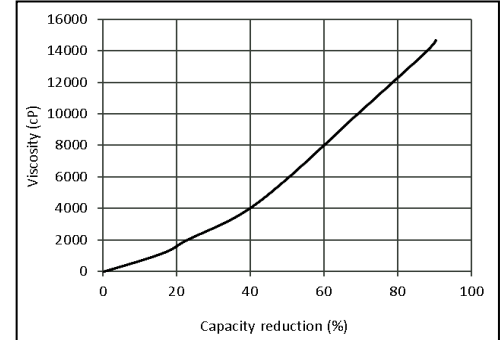
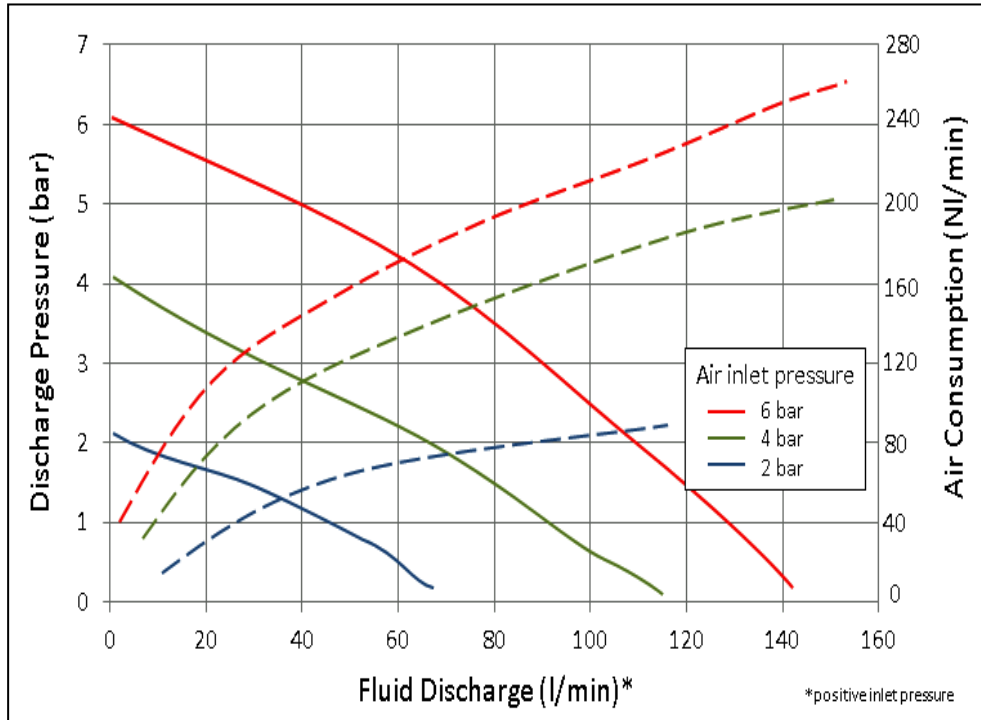
- Capacity 5 - 130 l/min
- 1" connection in several positions
- High suction lift (8,5 Mtr)
- Standard equipped with Santoprene diaphragms & valves
- Ceramic air-valve system (lubefree)
- Suitable for high Viscous liquids
- Low noise (77 dBa)
- Pump body: PP
- Suitable for abrasive liquids
- Low air-consumption !
- Dry running capability
- Low maintenance and parts costs
- Bolted (SST) leakage free design
- No Air leakage at liquid stop
- Made in EU

- Kapazität 5 - 130 l/min
- Variable 1" Anschlüsse
- Hohe Saugleistung (8,5 Mtr)
- Standardmässig mit Santoprene Membranen und Ventilen ausgestattet
- Keramik-Luft-Ventilsystem (fettfrei)
- Geeignet für hochviskose Medien
- Äusserst leise (77 dBa)
- Pumpengehäuse: PP
- Beständig gegen abrasive Flüssigkeiten
- Geringer Luftverbrauch
- Trockenlauf geeignet
- Niedrige Wartungs- und Ersatzteilkosten
- Bolzen (SST) leakagefreie Ausführung
- Bei Betriebsstopp kein Druckluftverlust
- Made in EU

APPLICATIONS

CHEMICALS • SOLVENTS • PLATING • ACIDS • OILS • INKS • GLUES • ALKALIES • ENAMEL
POLYESTER PAINT • WASTE WATER • COOLING LIQUIDS • FOAMS • HYDRAULIC OILS

Flowchart 1" Series / Flussdiagramm 1" Series

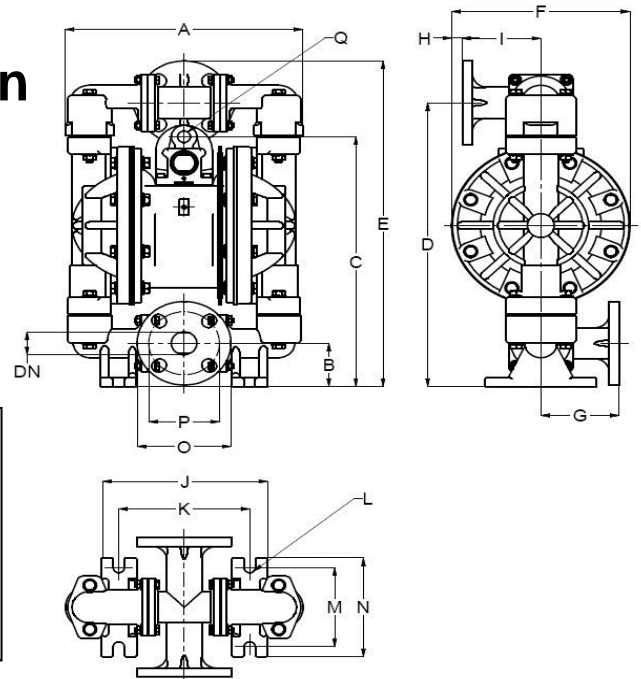


Available types - Verfügbare Typen

Type	liquid wetted parts	Temperature Limits
TEP130-PX	PP / Santoprene	0 to +79 degr.C.
TEP130-PNB	PP / NBR	0 to +79 degr.C.
TEP130-PTW	PP / PTFE	+4 to +79 degr.C.

Air-motor made from POM-C

- P** = Polypropylene body
- X** = Santoprene diaphragms & valve balls
- NB** = NBR diaphragms & valve balls
- TW** = Teflon vulcanised diaphragms & teflon valve balls
- D** = Domed shaped diaphragms (extended lifetime!!)



A	305 mm	G	44 mm	M	102 mm
B	32 mm	H	61 mm	N	127 mm
C	313 mm	I	44 mm	O	110 mm
D	359 mm	J	267 mm	P	82-85 mm
E	382 mm	K	219 mm	DN	30 mm
F	209 mm	L	13 mm	Q	3/8" BSP-fem.

xylem
Let's Solve Water



FLANGES PN 10 With ANSI & DIN connection.

Weight: 6,8 kg.

Specifications & Performances