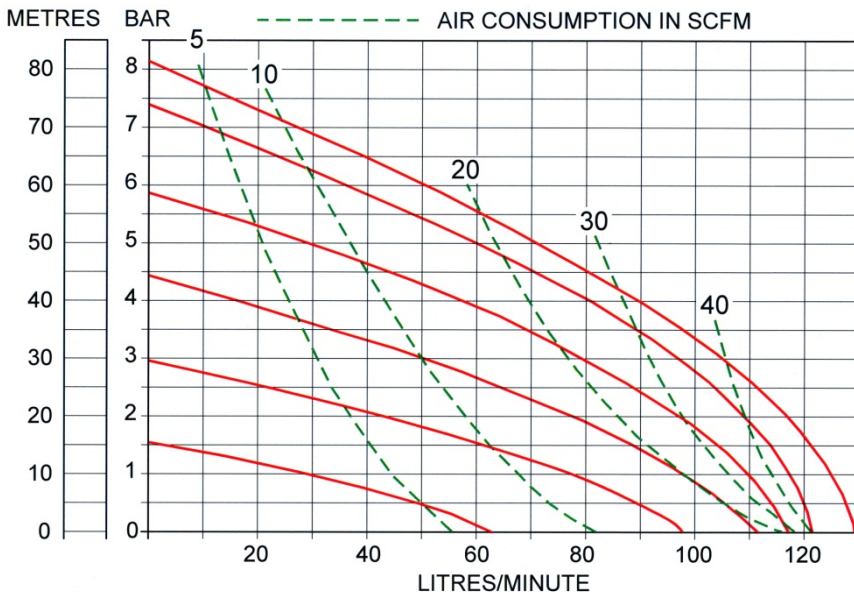
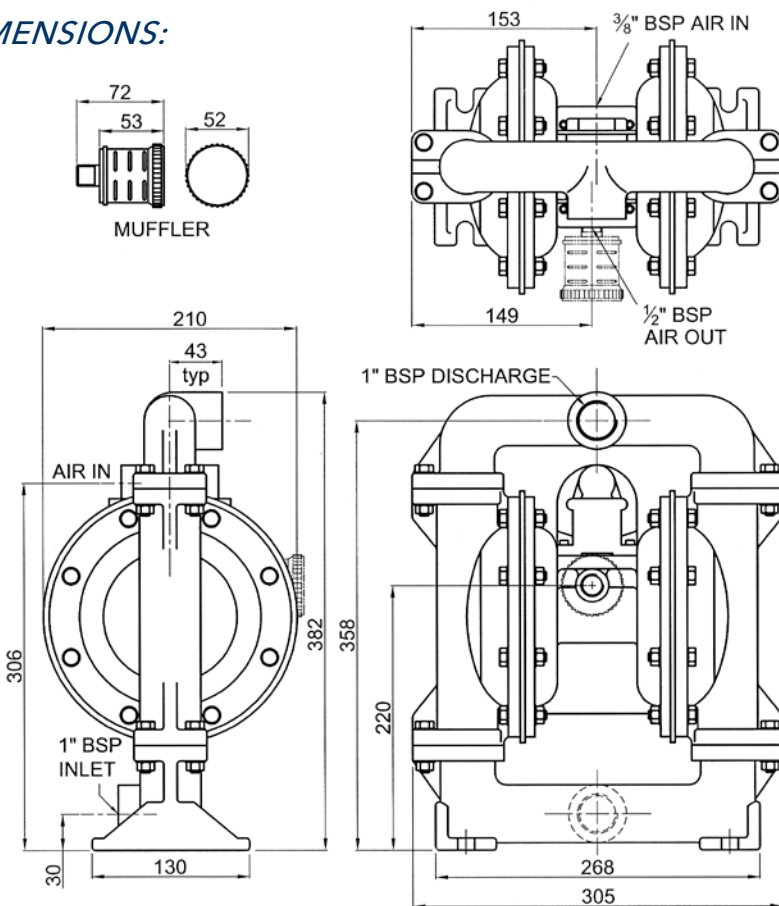


**PERFORMANCE:**



**DIMENSIONS:**



**MATERIALS OF CONSTRUCTION:**

**WEIGHT: 14.7 Kg**

BODY	DIAPHRAGMS	BALL VALVES	VALVE SEATS	VALVE SEAT 'O' RINGS
Aluminium	Geolast	Geolast	Geolast	Neoprene

OTHER ELASTOMERS AVAILABLE



**TEP132-AG**  
**1" BSP**  
**AIR OPERATED**  
**DOUBLE DIAPHRAGM**  
**PUMP**



- ◆ Robust design
- ◆ Stall free performance
- ◆ Self-priming
- ◆ Can run dry without damage
- ◆ Oil free - no contamination
- ◆ Test certificate with every pump