

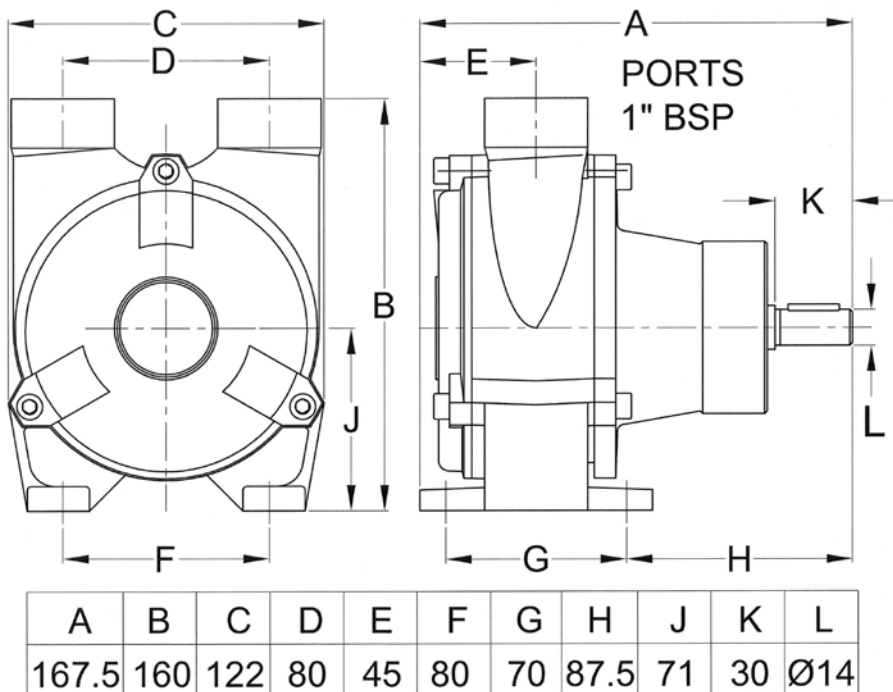
PERFORMANCE

Model	Maximum flow rate			Maximum head	
	l/min	cu.m/hr	gall/min	metres	feet
PC25	141	8.5	31	28	92

Maximum power absorbed 1.2kW at 3000rpm

DIMENSIONS IN MM (APPROX.)

WEIGHT: 5.6kg



MATERIALS OF CONSTRUCTION

Pump casing	bronze
Impeller	bronze
Shaft	stainless steel AISI316
Bearing housing	cast iron
Pump head bolts	stainless steel
O-ring static seal	nitrile rubber

Pump performance and specification are subject to alteration without notice

AVAILABLE CLUTCHES (ask for a data sheet)

Clutch Type	Pulley Pitch Dia	Pulley Belt Section	No of Belts	FP Code
MANUAL	125mm	SPA	1	FP-94-8000211
24v dc	130mm	SPA	2	FP-94-8010327

FP PUMPS

PC25

1" BRONZE SELF-PRIMING SIDE CHANNEL PUMP



- * reliable continuous duty pump
- * corrosion-resistant bronze, with stainless steel shaft
- * self-priming up to 3m
- * direction of flow can be reversed
- * carbon-ceramic mechanical shaft seal

BRONZE PUMPS for SEAWATER

Xylem Water Solutions UK Ltd
Bingley Road
Hoddesdon
Hertfordshire • EN11 0BU • UK

Tel: +44 (0)1462 480380
Fax: +44 (0)1462 482422
mail@cleghorn.co.uk
www.jabscoshop.com

