

Tender specification:

Oventrop cast iron gate valve “Hygate AFC”, both ports flanged connection PN 16. Non-rising stem, handwheel operation.

Body, bonnet and stuffing box assembly made of cast iron. Stem and valve seat made of brass. Stem seal with Teflon impregnated, asbestos free gland packing.

Technical data:

Max. operating pressure p_s : 16 bar (PN 16)
 Operating temperature t_s : -10 °C up to +120 °C
 Round flanges according to DIN EN 1092-2, PN 16
 Length according to DIN EN 558 TI 1, basic series 15

Function:

The non-rising stem permits a compact design and allows for use in confined spaces.

The gland packing can be re-sealed by tightening the gland fitting.

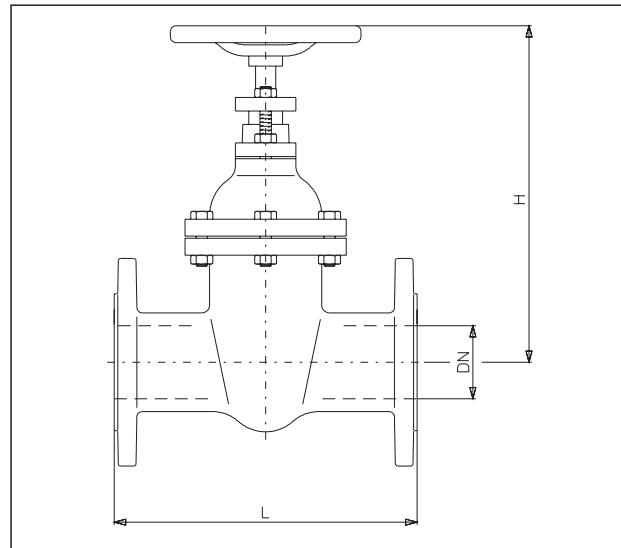
Material:

Body, bonnet and stuffing box assembly made of cast iron (GG 25/EN-GJL-250 DIN EN 1561), stem and valve seat made of brass, handwheel made of steel. Teflon impregnated, asbestos free gland packing.

Application:

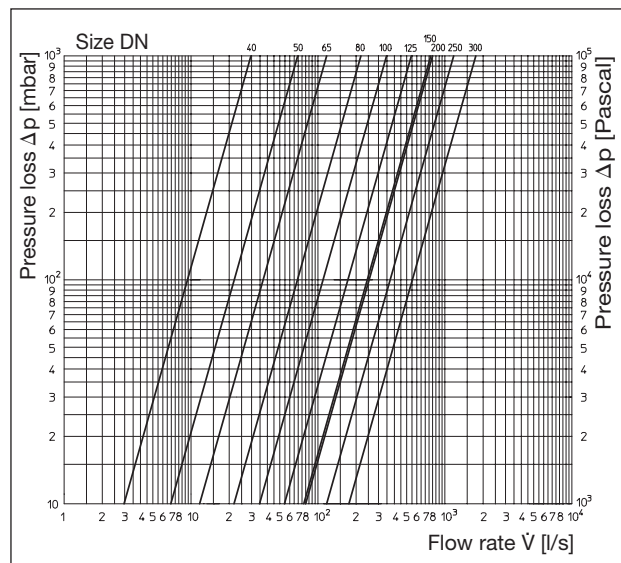
Central heating and cooling systems with closed circuits, for operation with non-aggressive, harmless fluids (e.g. water or suitable water and glycol mixtures according to VDI 2035/ÖNORM 5195).

Size:	kvs value:	Item no.:
DN 40	107	1045049
DN 50	250	1045050
DN 65	430	1045051
DN 80	790	1045052
DN 100	1250	1045053
DN 125	1960	1045054
DN 150	2790	1045055
DN 200	2880	1045056
DN 250	4306	1045057
DN 300	6380	1045058



DN	L	H	kg
40	240	230	10
50	250	265	13
65	270	300	17
80	280	340	24
100	300	370	31
125	325	415	41
150	350	460	55
200	400	555	89
250	450	665	140
300	500	730	180

Dimensions



Flow chart

Subject to technical modifications without notice.

Product range 5
 ti 123-EN/10/MW
 Edition 2018