

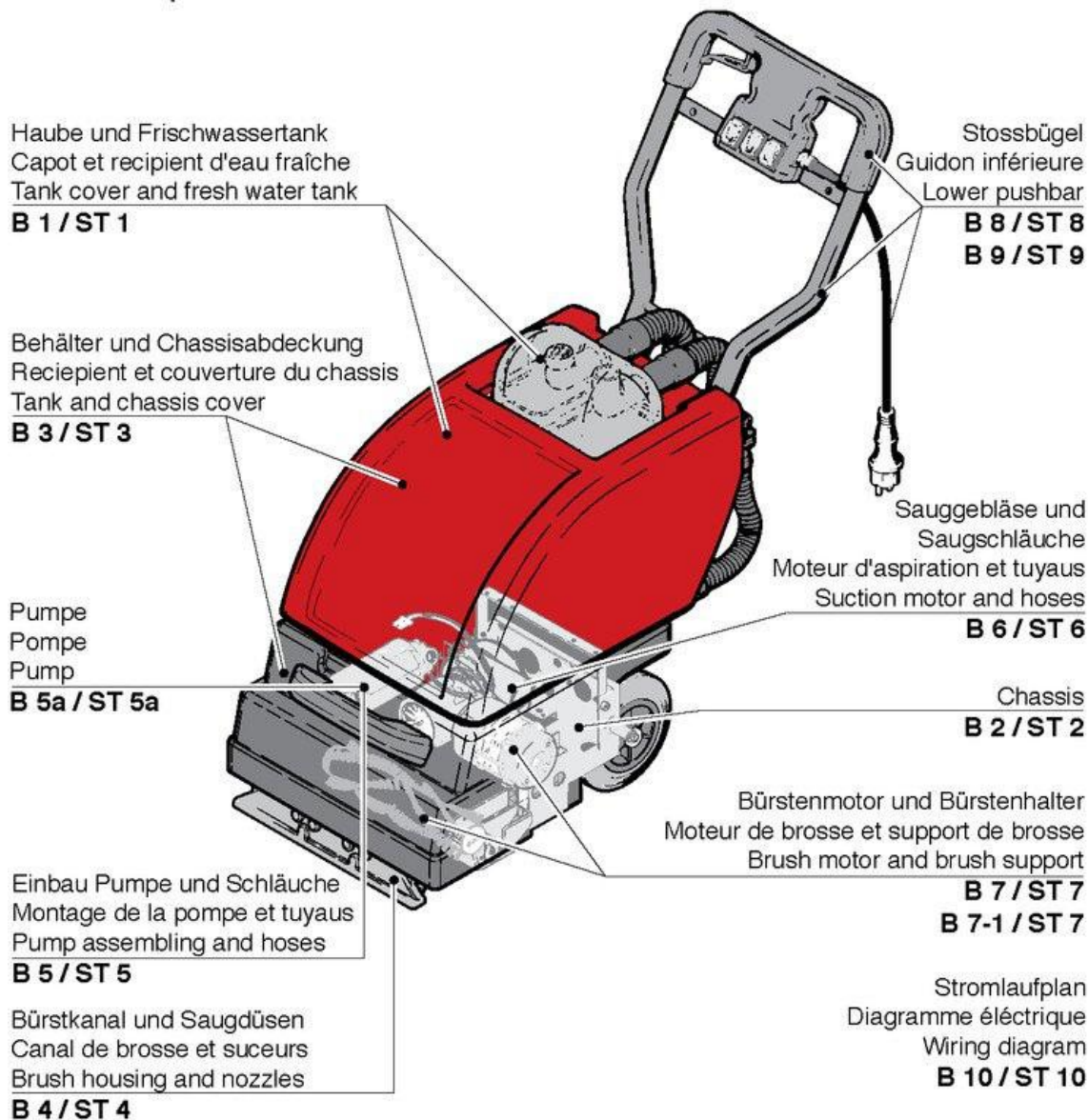
# TW Compact

## Contents

Stand: 31.03.2017 06:42

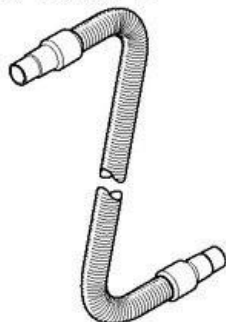


### TW Compact



### Sonderzubehör / Accessoires

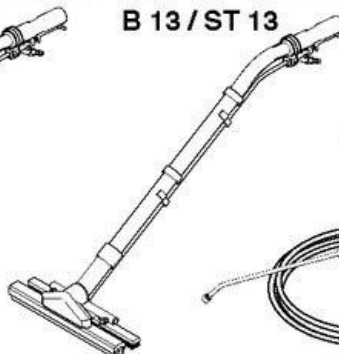
**Saug-Sprühschlauch**  
 Tuyau d'asp. et pression  
 Spray and suction hose  
**B 11 / ST 11**



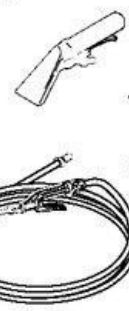
**Teppichadapter 2 Düsen**  
 Adapteur tapis, 2-gicleur  
 Carpet adaptor, 2-nozzles  
**B 12 / ST 12**



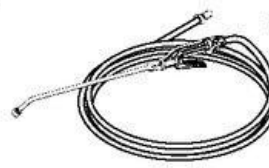
**Hartbodenadapter**  
 Adapteur pour les sols durs  
 Hard floor attachment  
**B 13 / ST 13**



**Polsteradapter**  
 Adapteur pour ameublements  
 Upholstery tool  
**B 14 / ST 14**



**Vorsprühlanze mit Schlauch**  
 Lance d'inject. avec tuyau  
 Spray nozzle with hose  
**B 15 / ST15**



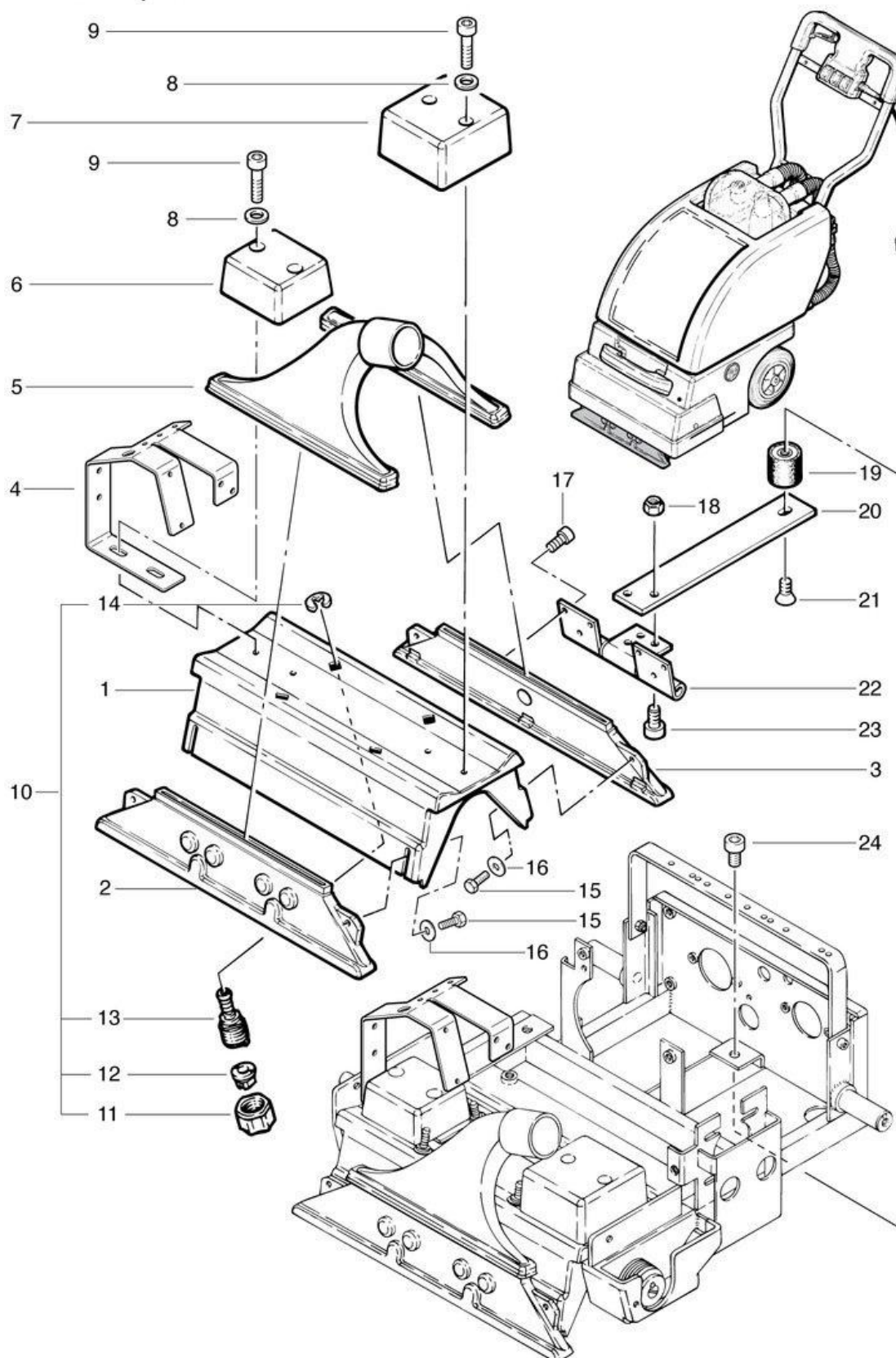
# TW Compact

## Brush housing and nozzles

Stand: 31.03.2017 06:43



### TW Compact



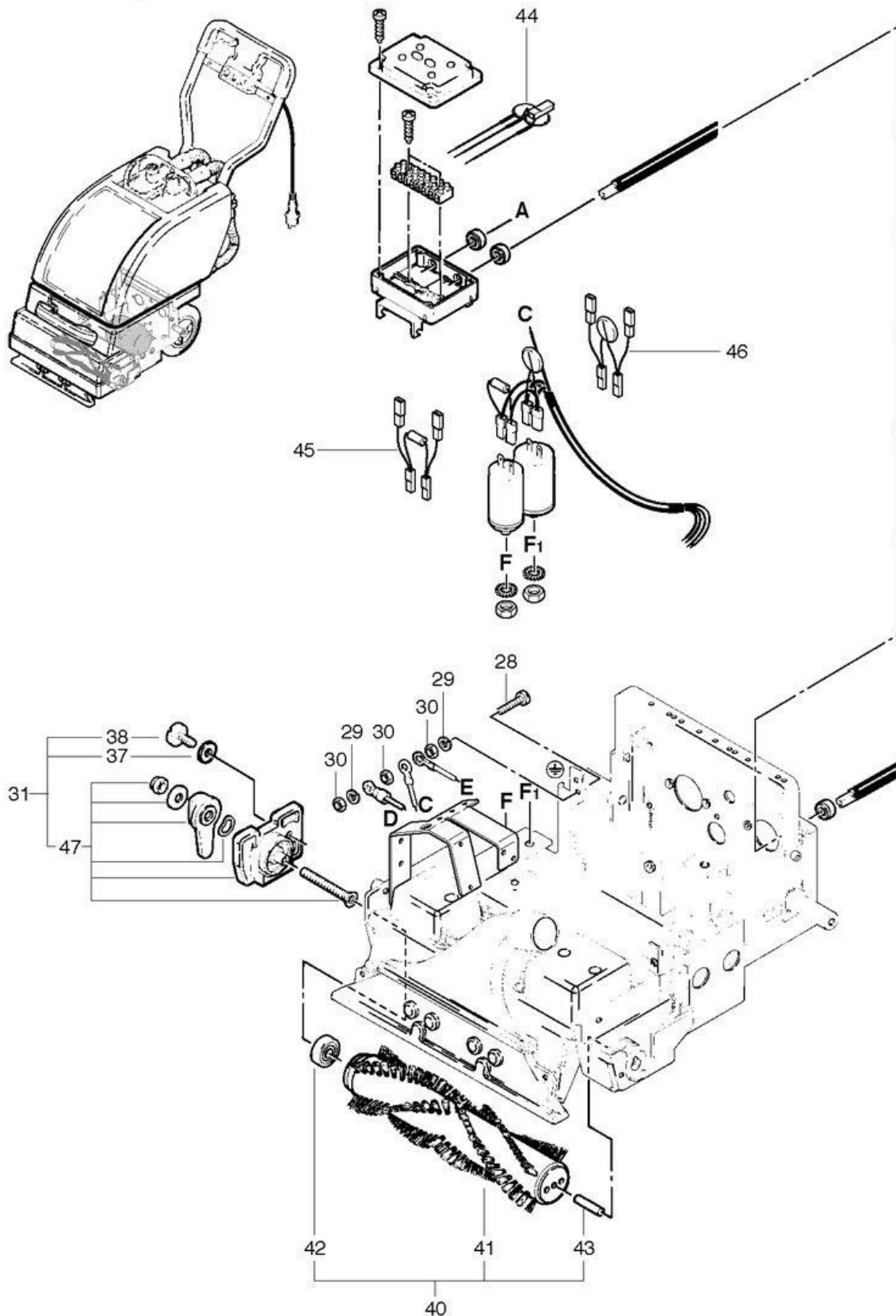
# TW Compact

## Brush motor and brush support

Stand: 31.03.2017 06:44



TW Compact





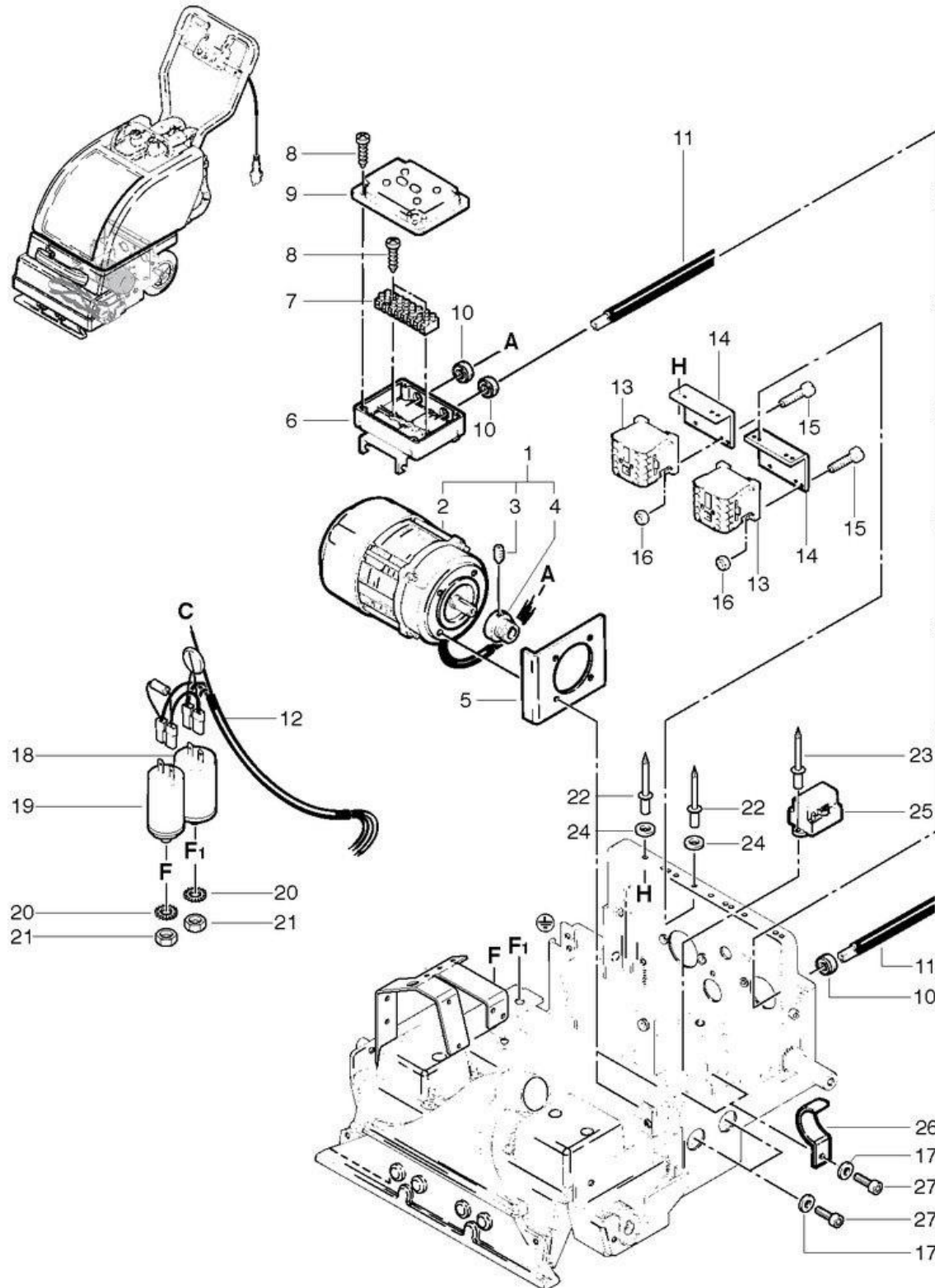
# TW Compact

## Brush motor and brush support

Stand: 31.03.2017 06:44



TW Compact



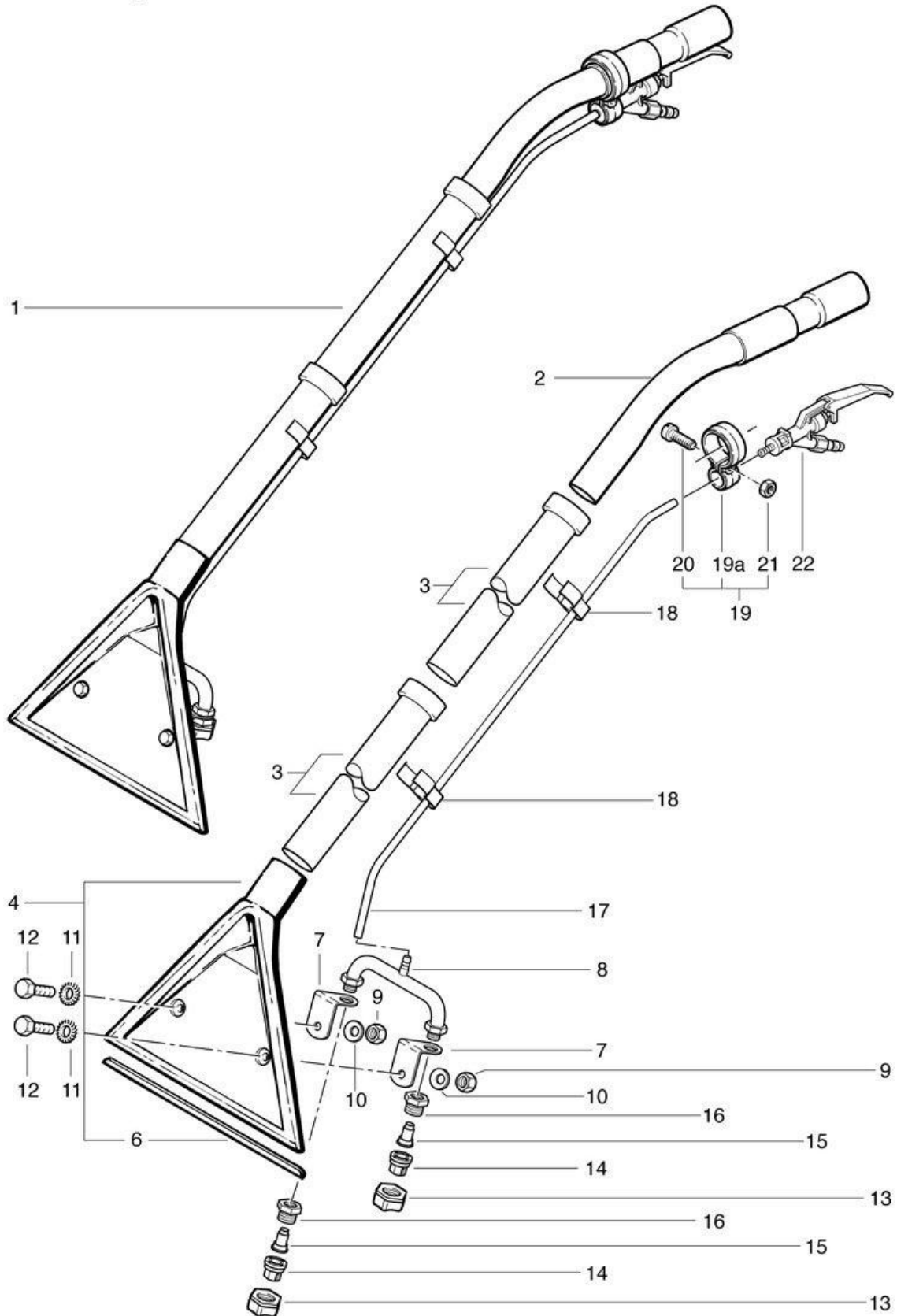
# TW Compact

## Carpet tool, 2-nozzles

Stand: 31.03.2017 06:49



TW Compact



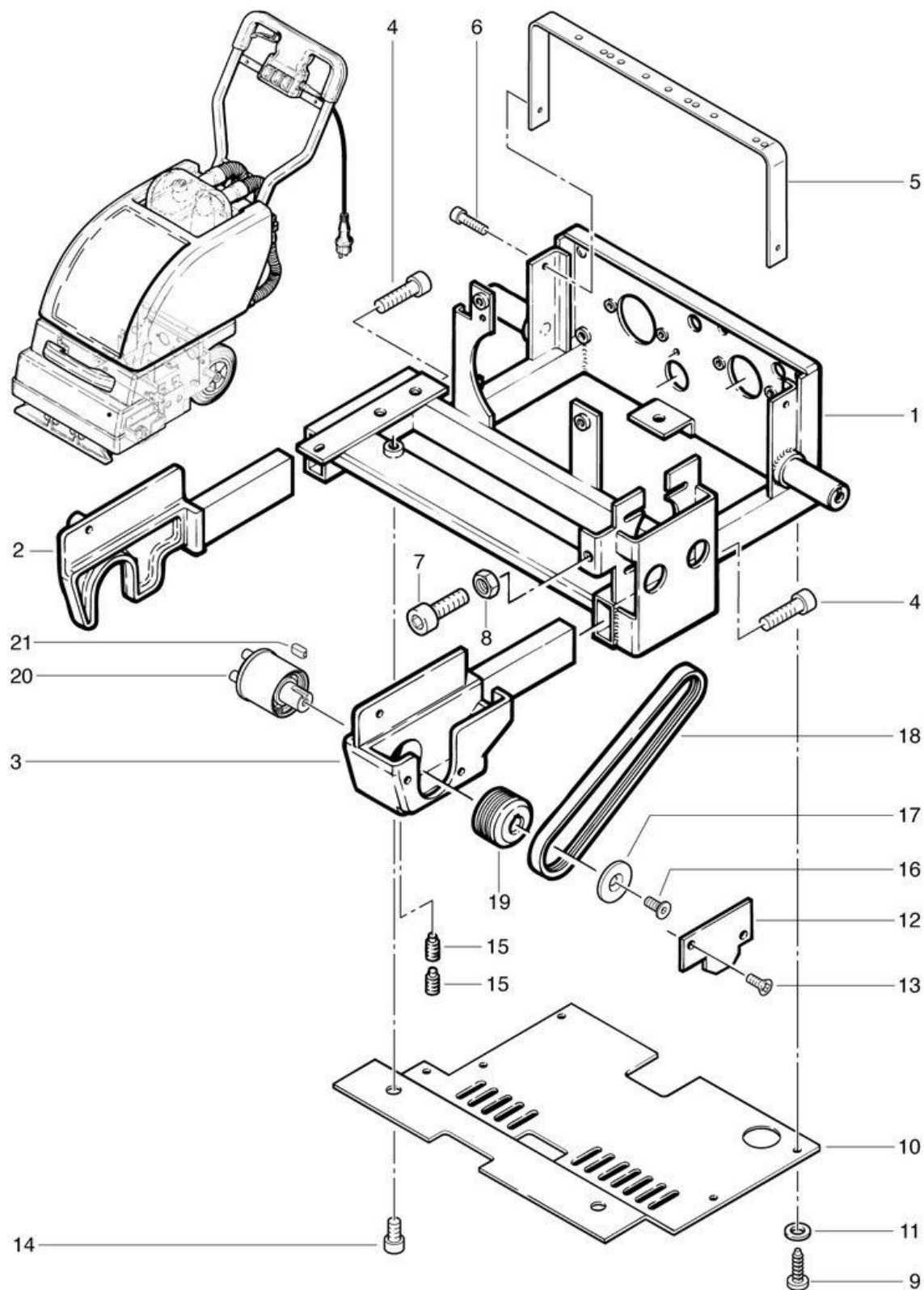
# TW Compact

## Chassis

Stand: 31.03.2017 06:42



TW Compact



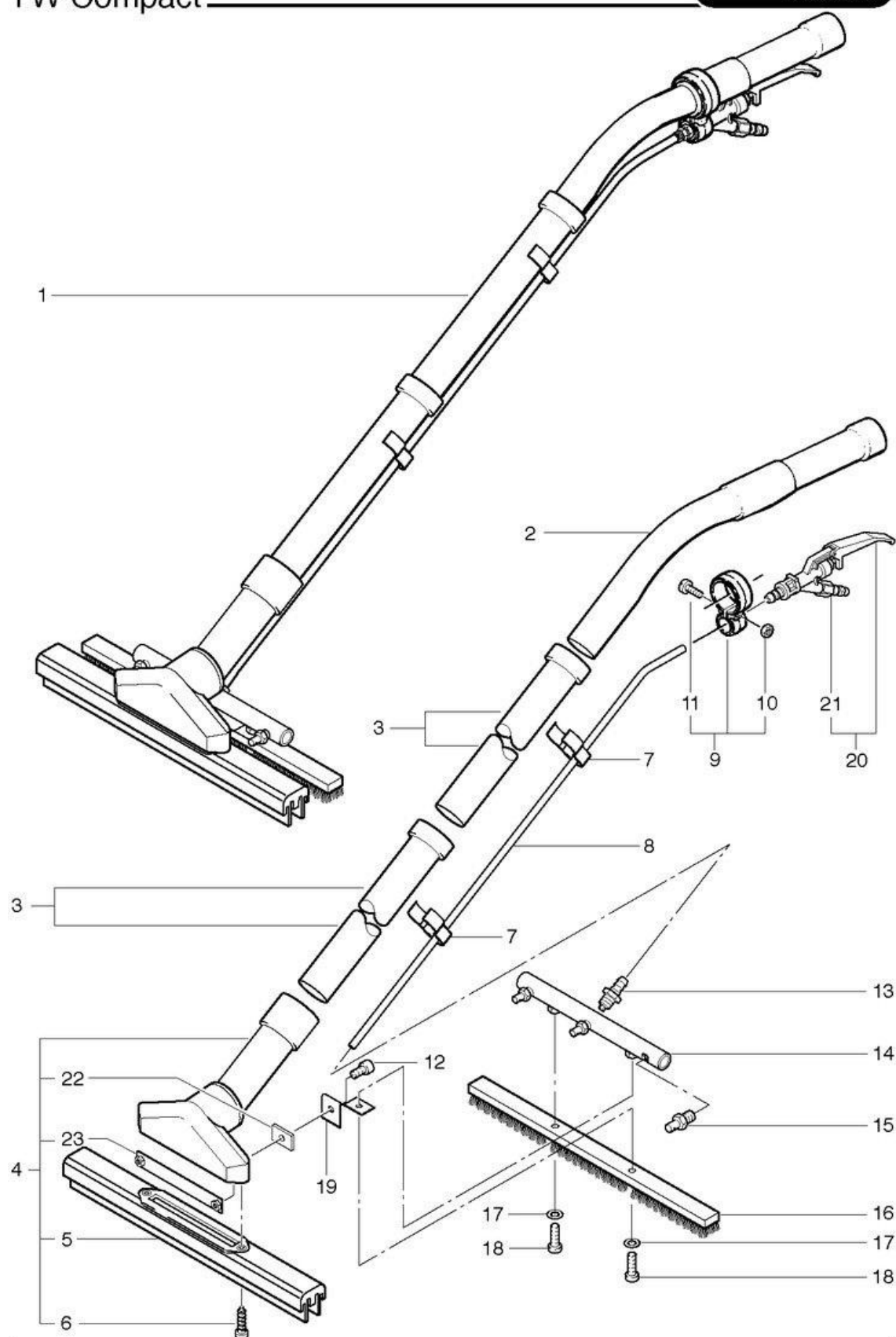
# TW Compact

## Hard floor attachment

Stand: 31.03.2017 06:50



TW Compact



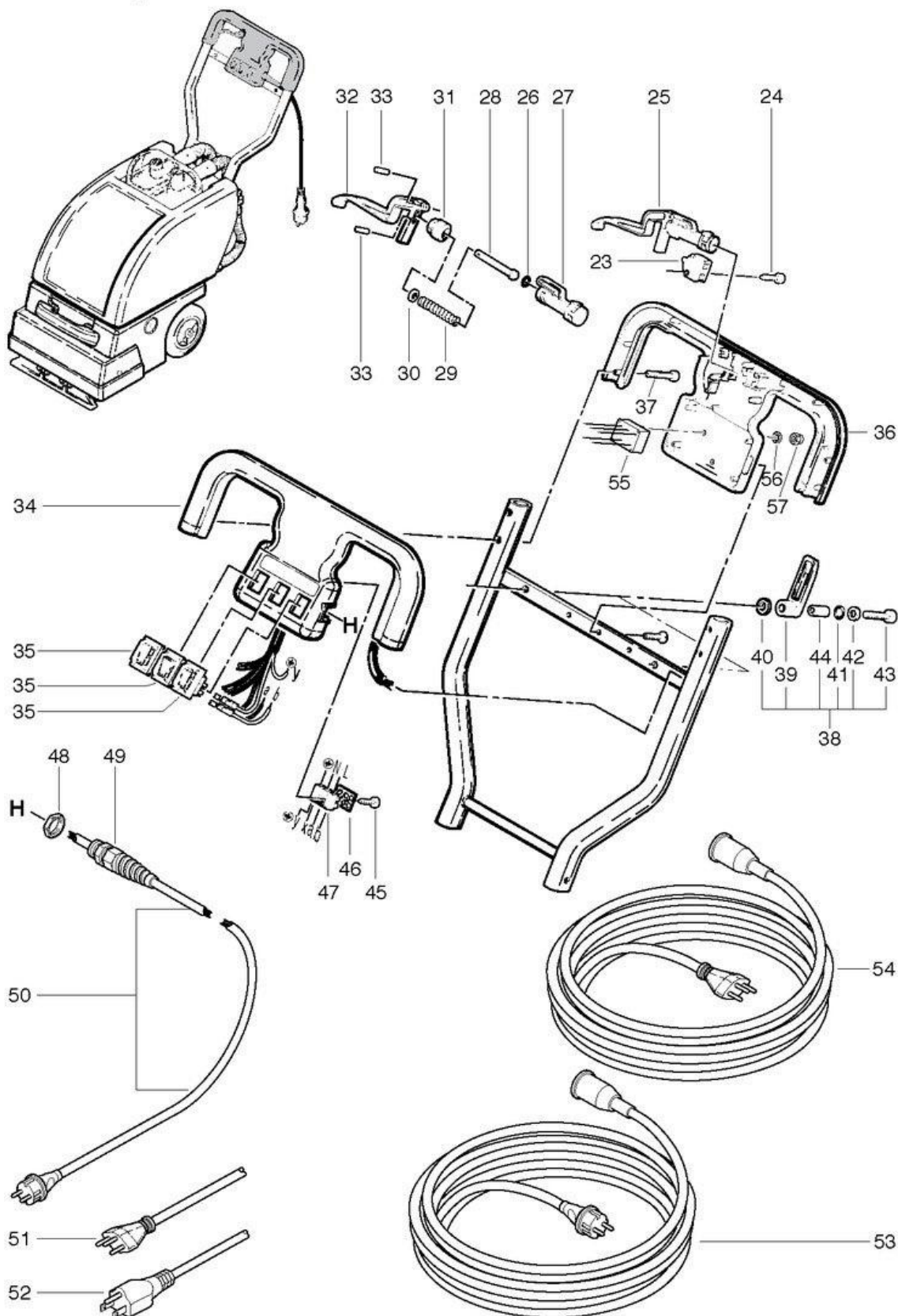
# TW Compact

## Lower pushbar

Stand: 31.03.2017 06:48



TW Compact



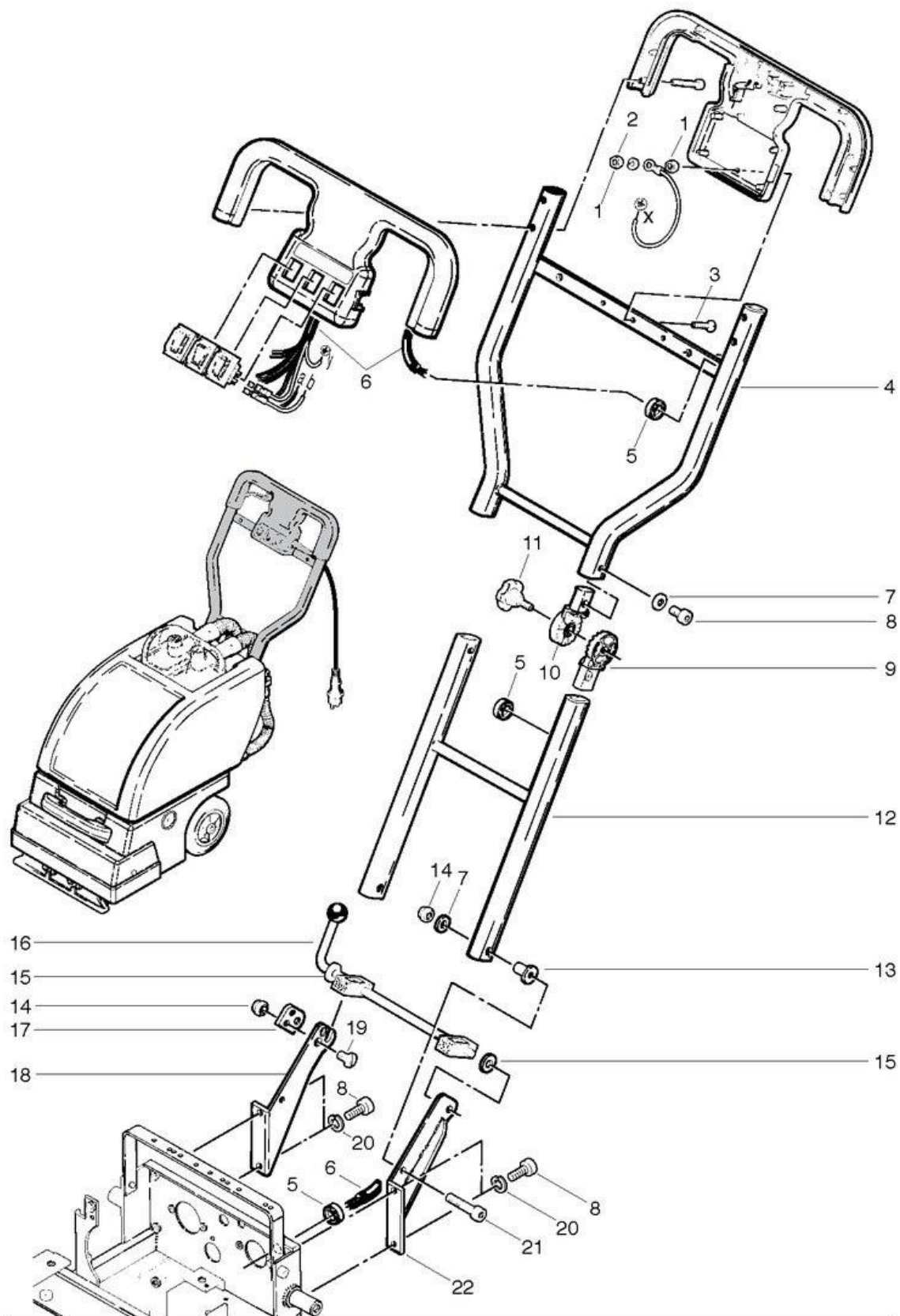


# TW Compact

## Lower pushbar

Stand: 31.03.2017 06:44

TW Compact



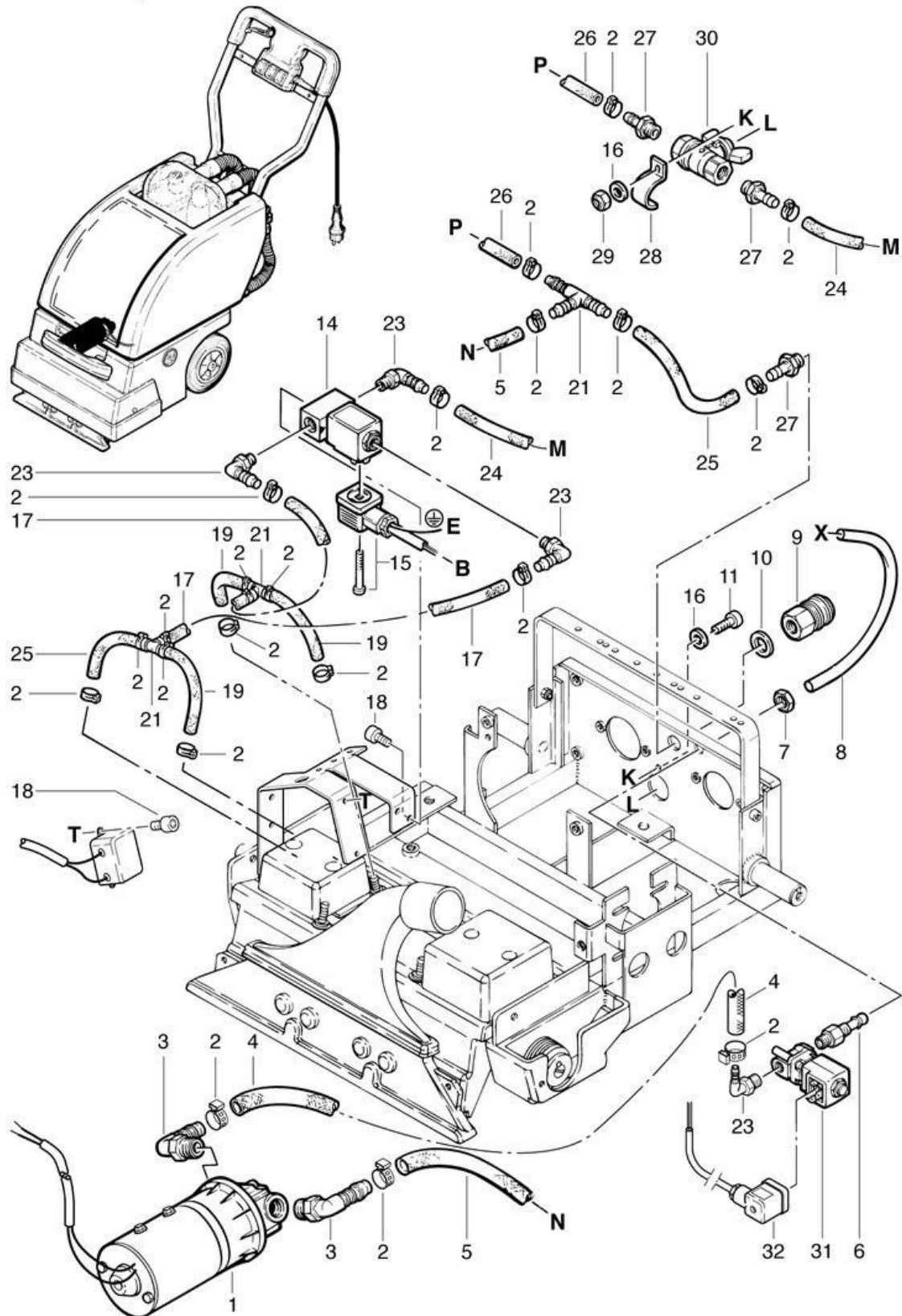
# TW Compact

## Pump assembling and hoses

Stand: 31.03.2017 06:43



TW Compact

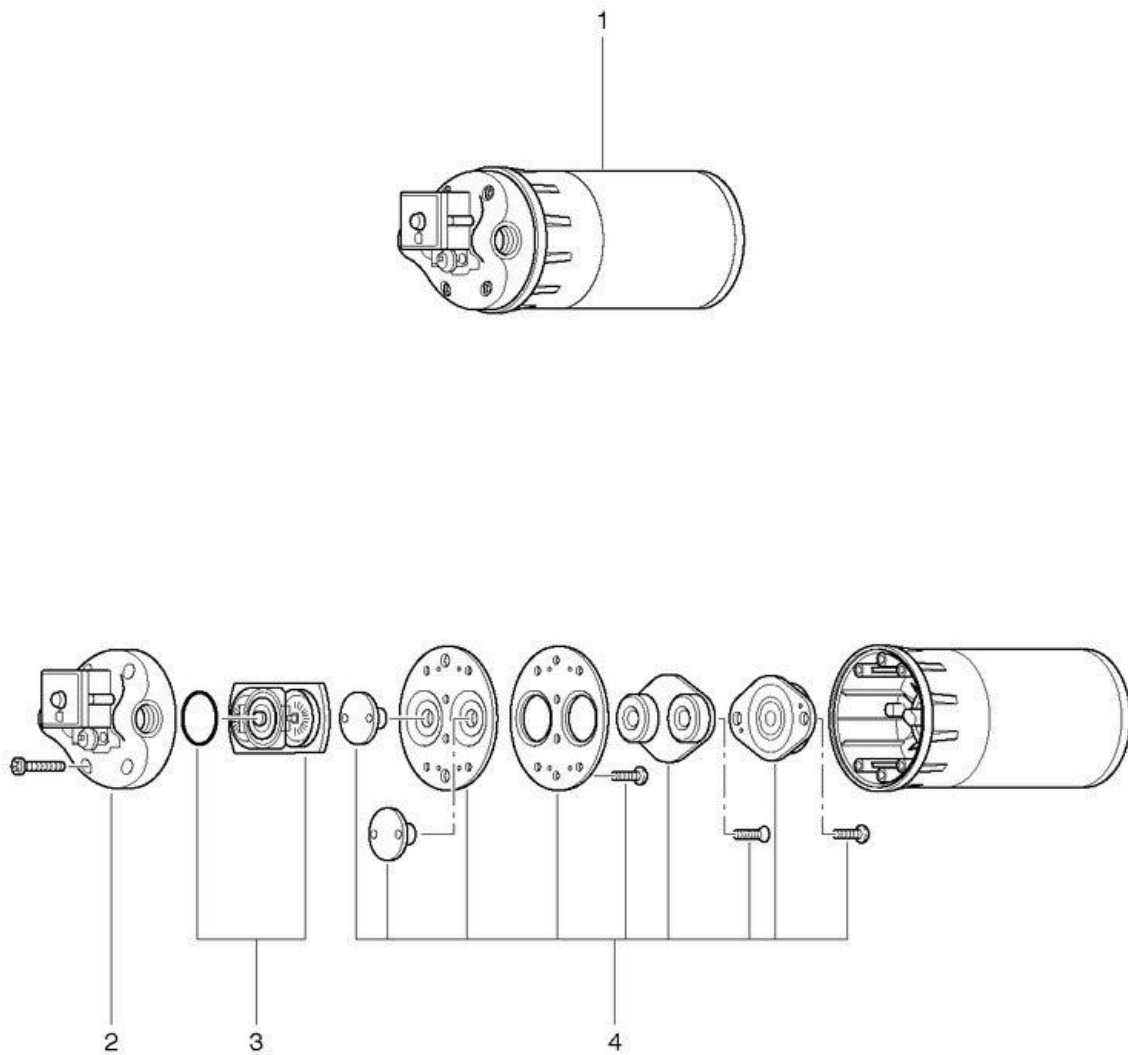


# TW Compact

## Pump

Stand: 31.03.2017 06:44

TW Compact



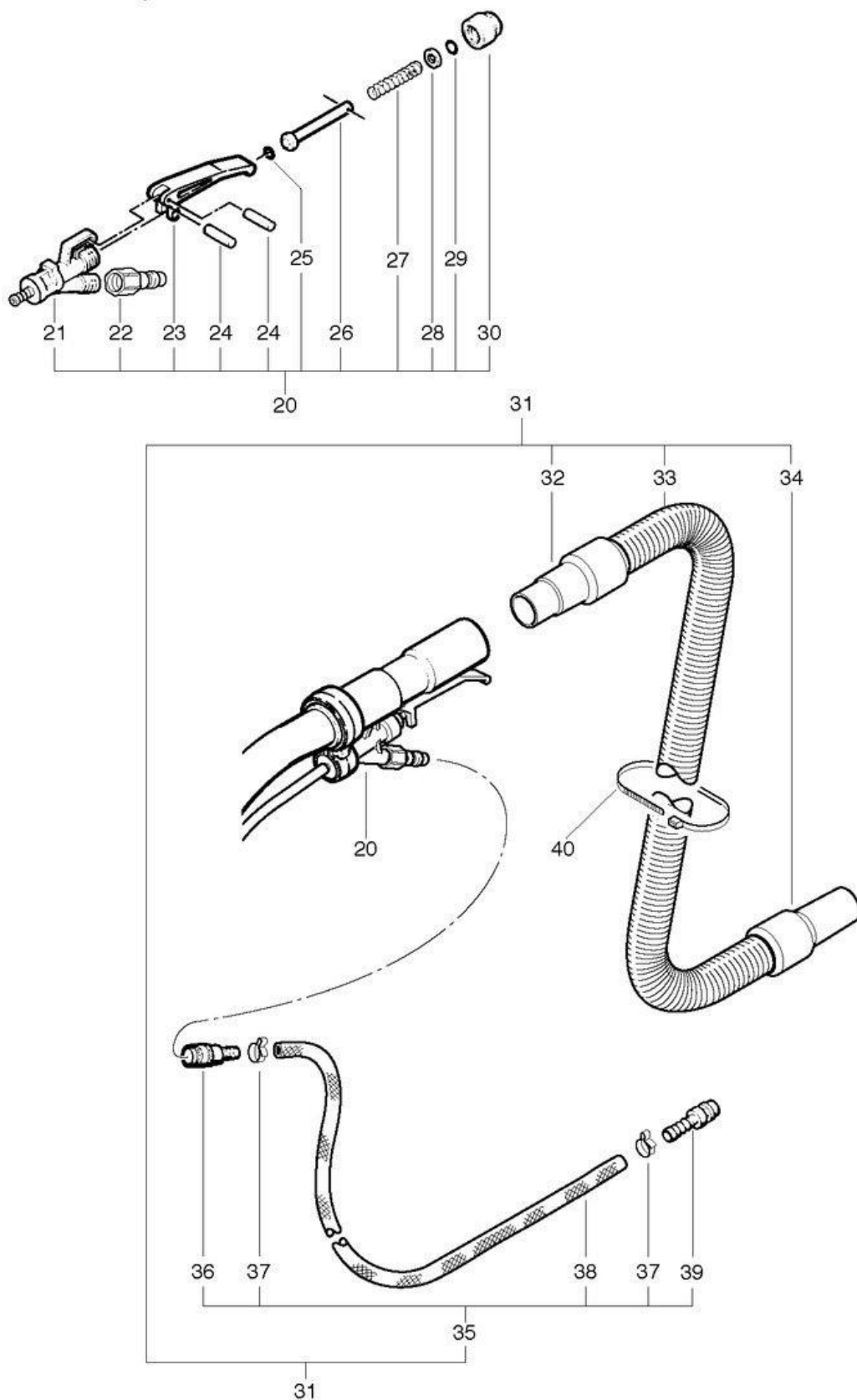
# TW Compact

## Spray and suction hose

Stand: 31.03.2017 06:47



TW Compact



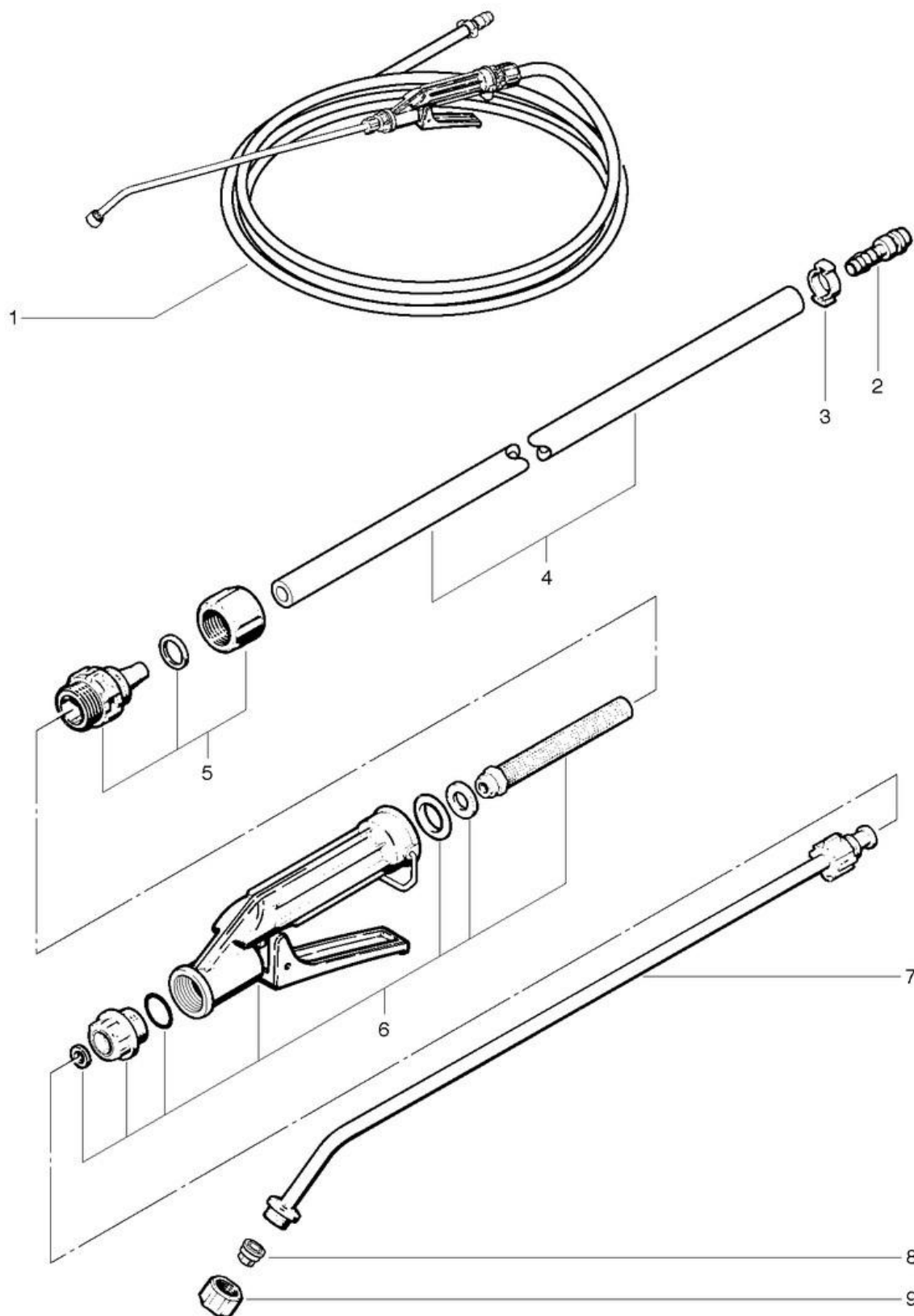


# TW Compact

## Spray nozzle with hose

Stand: 31.03.2017 06:51

TW Compact



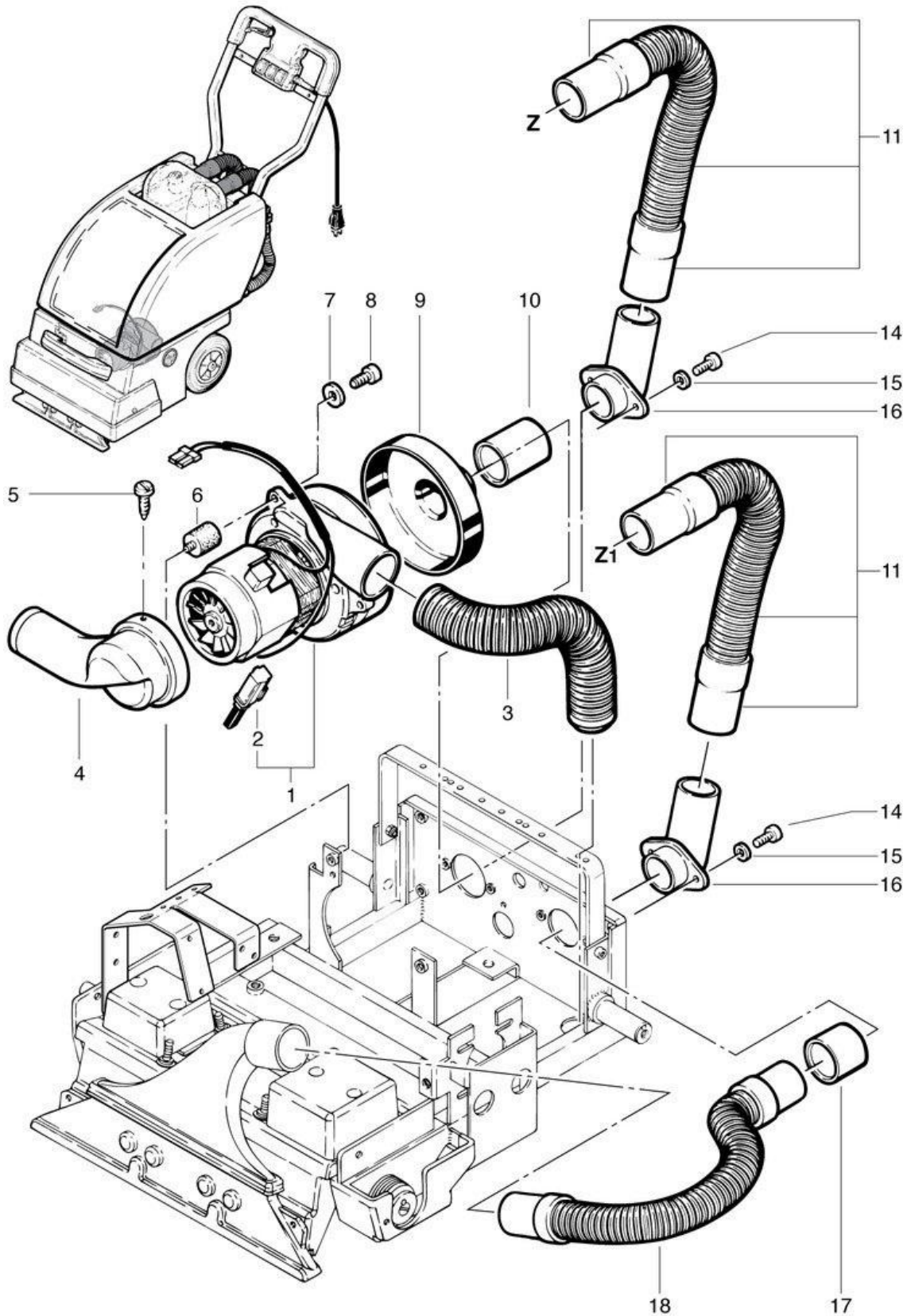
# TW Compact

## Suction motor and hoses

Stand: 31.03.2017 06:44



TW Compact



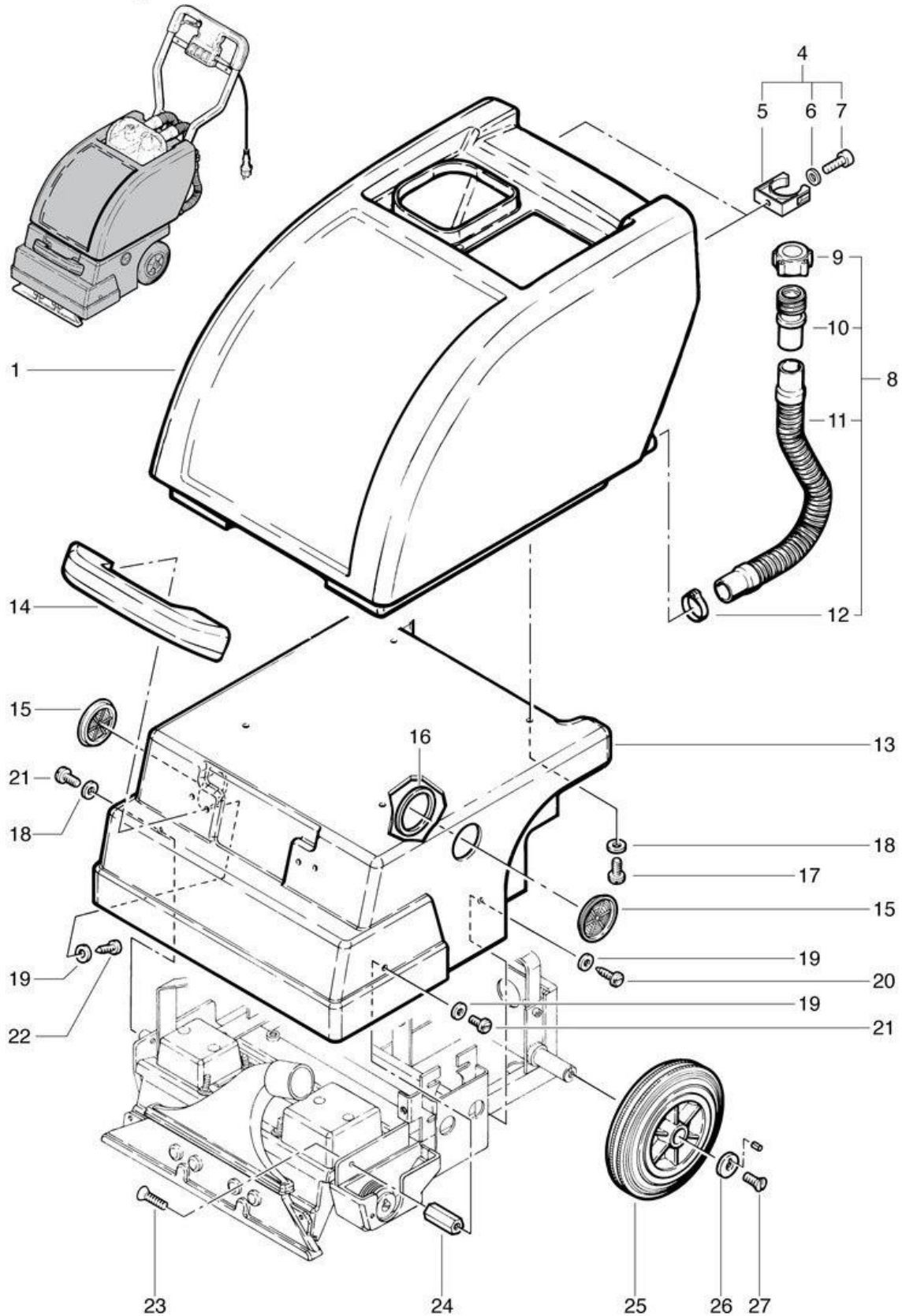
# TW Compact

## Tank and chassis cover

Stand: 31.03.2017 06:43



TW Compact



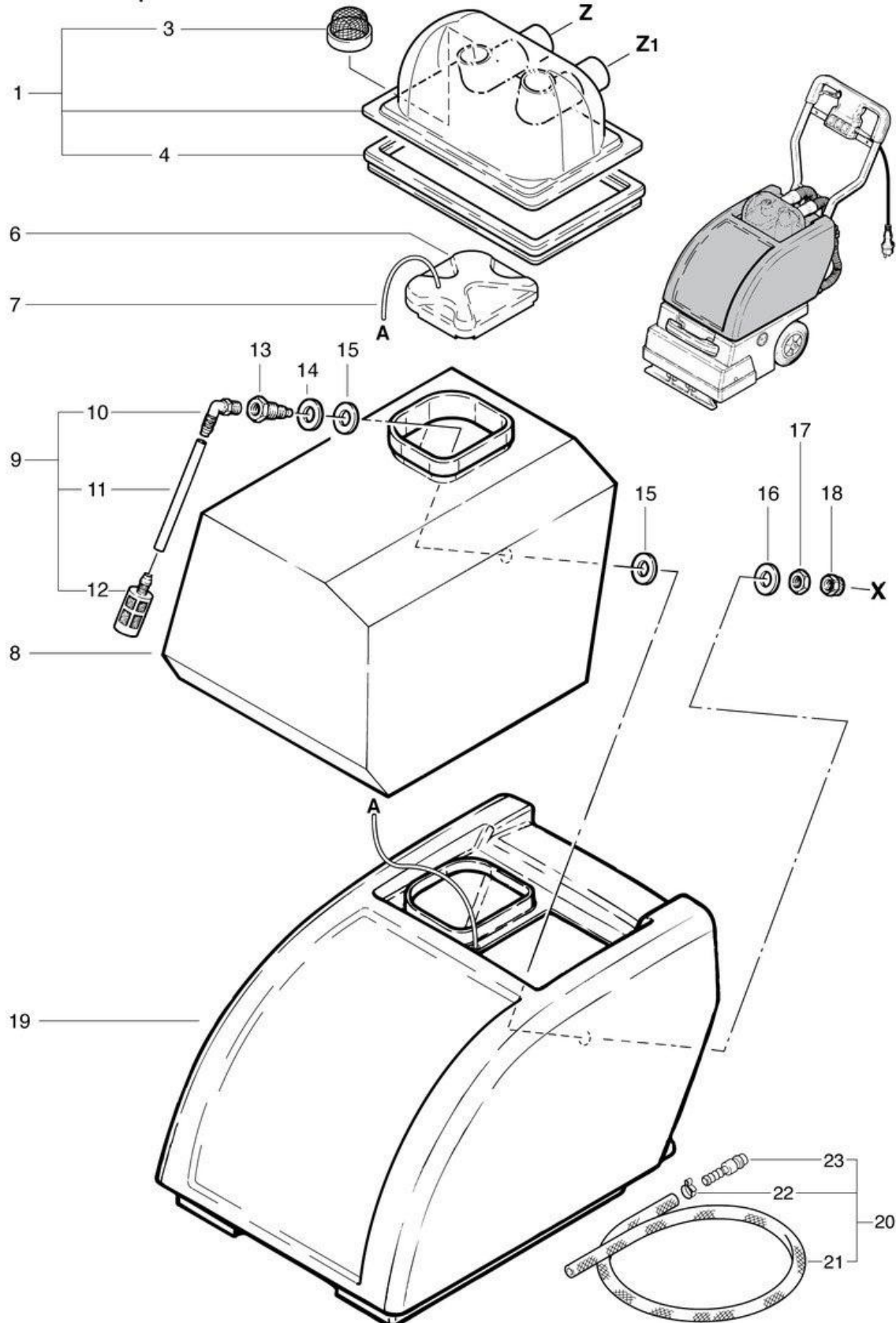
# TW Compact

## Tank cover and fresh water tank

Stand: 31.03.2017 06:42



TW Compact



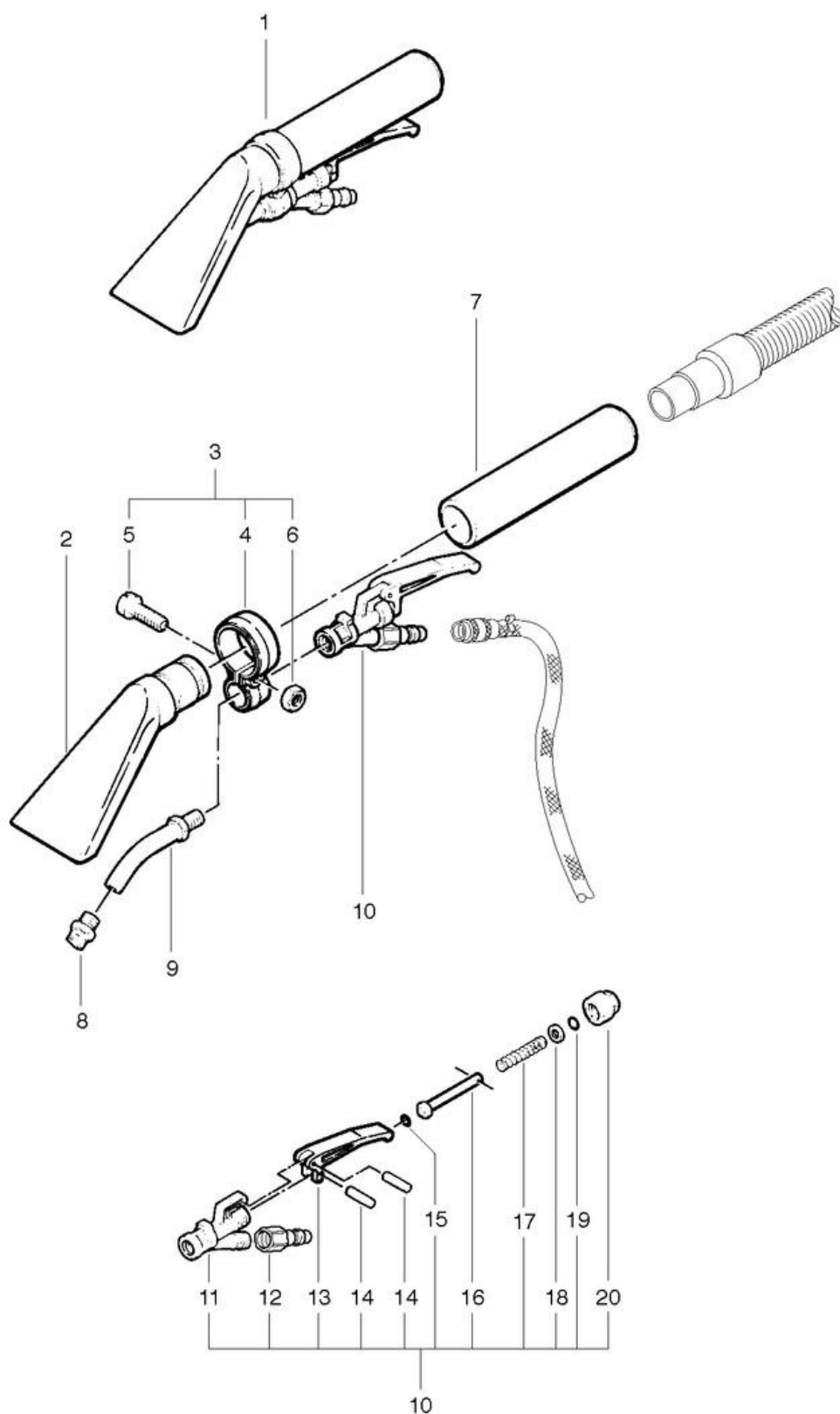


# TW Compact

## Upholstery tool

Stand: 31.03.2017 06:51

TW Compact

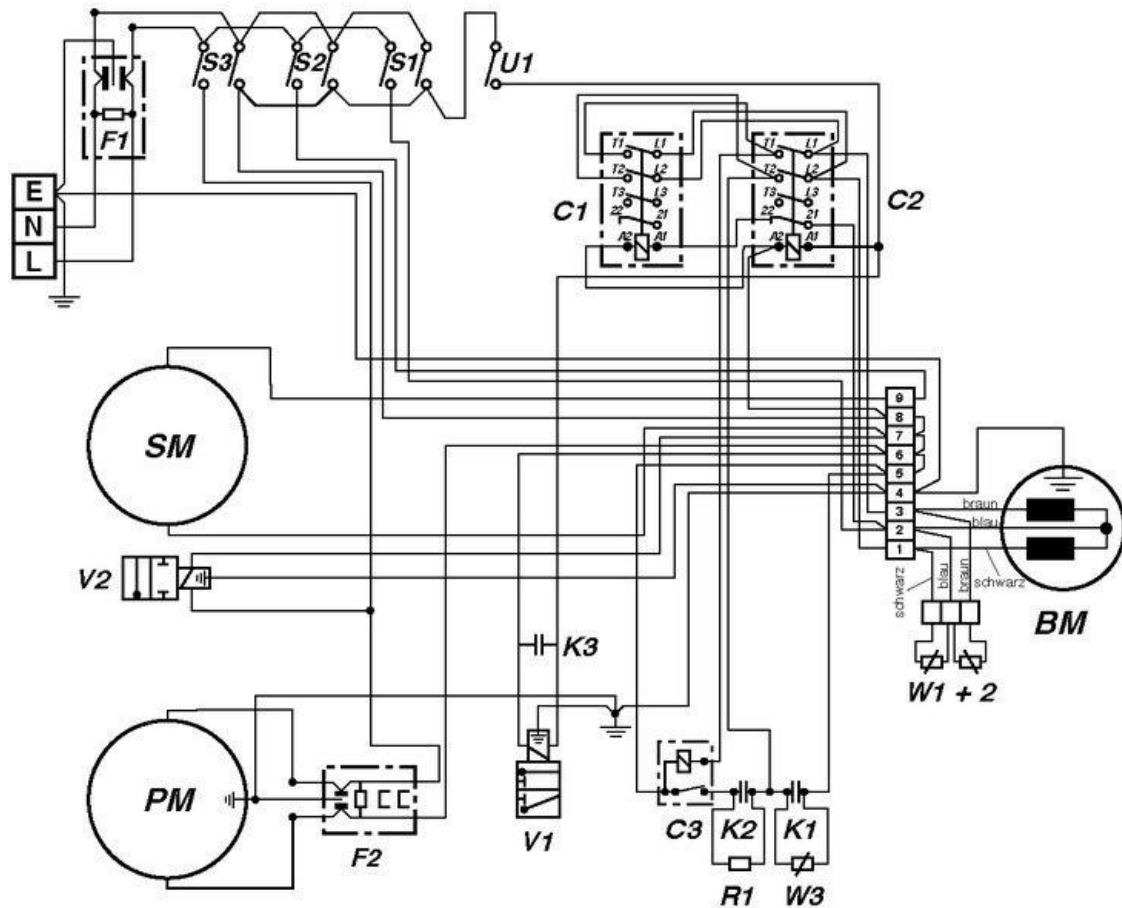


# TW Compact

## Wiring diagram

Stand: 31.03.2017 06:46

TW Compact



- S1 = Wippenschalter Bürstenmotor / Brush motor switch
- S2 = Wippenschalter Saugmotor / Suction motor switch
- S3 = Wippenschalter Pumpe / Pump switch
- C1 = Leistungsschütz Bürstenmotor / Switch for reversing brush motor
- C2 = Leistungsschütz Bürstenmotor / Switch for reversing brush motor
- C3 = Relais
- K1 = Betriebs-Kondensator 12 uF / Capacitor for working brush motor 12 uF
- K2 = Anlauf-Kondensator 20 uF / Capacitor for starting brush motor 20 uF
- K3 = Kondensator 0,33 uF / Capacitor 0,33 uF
- BM = Bürstenmotor / Brush motor
- PM = Pumpenmotor / Pump
- SM = Saugmotor / Suction motor
- V1 = 3/2 Wege-Ventil / Valve 3/2
- V2 = 2/2 Wege-Ventil / Valve 2/2
- U1 = Steuerschalter Bürstenmotor / Reversing-switch
- F1 = FE-Filter Eingang
- F2 = FE-Filter Pumpe
- W1+2 = Varistor S20 K275
- W3 = Varistor S20 K320
- R1 = Drahtwiderstand 30 kOhm/7W