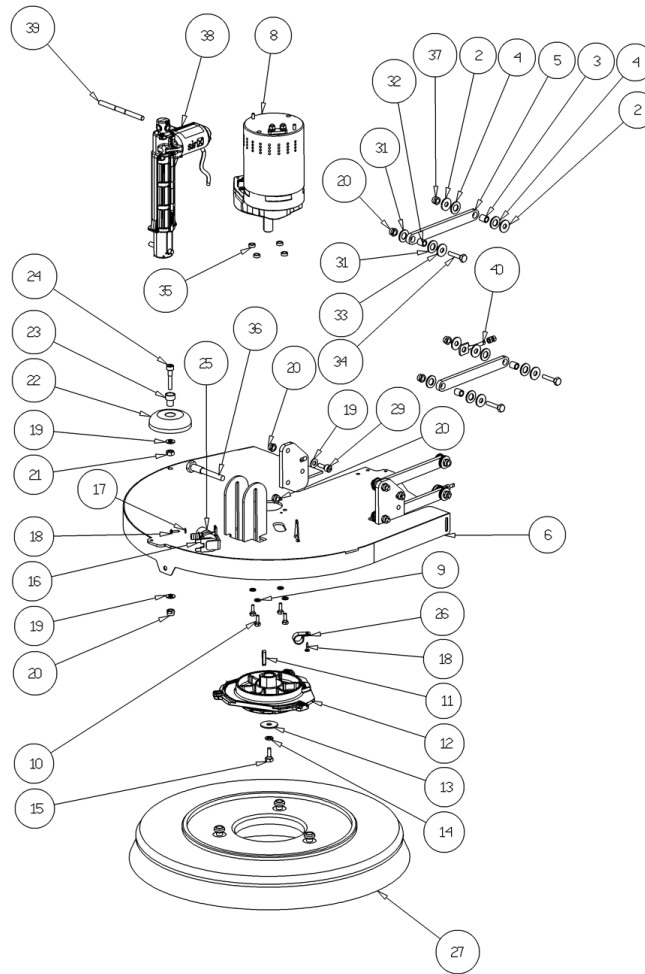


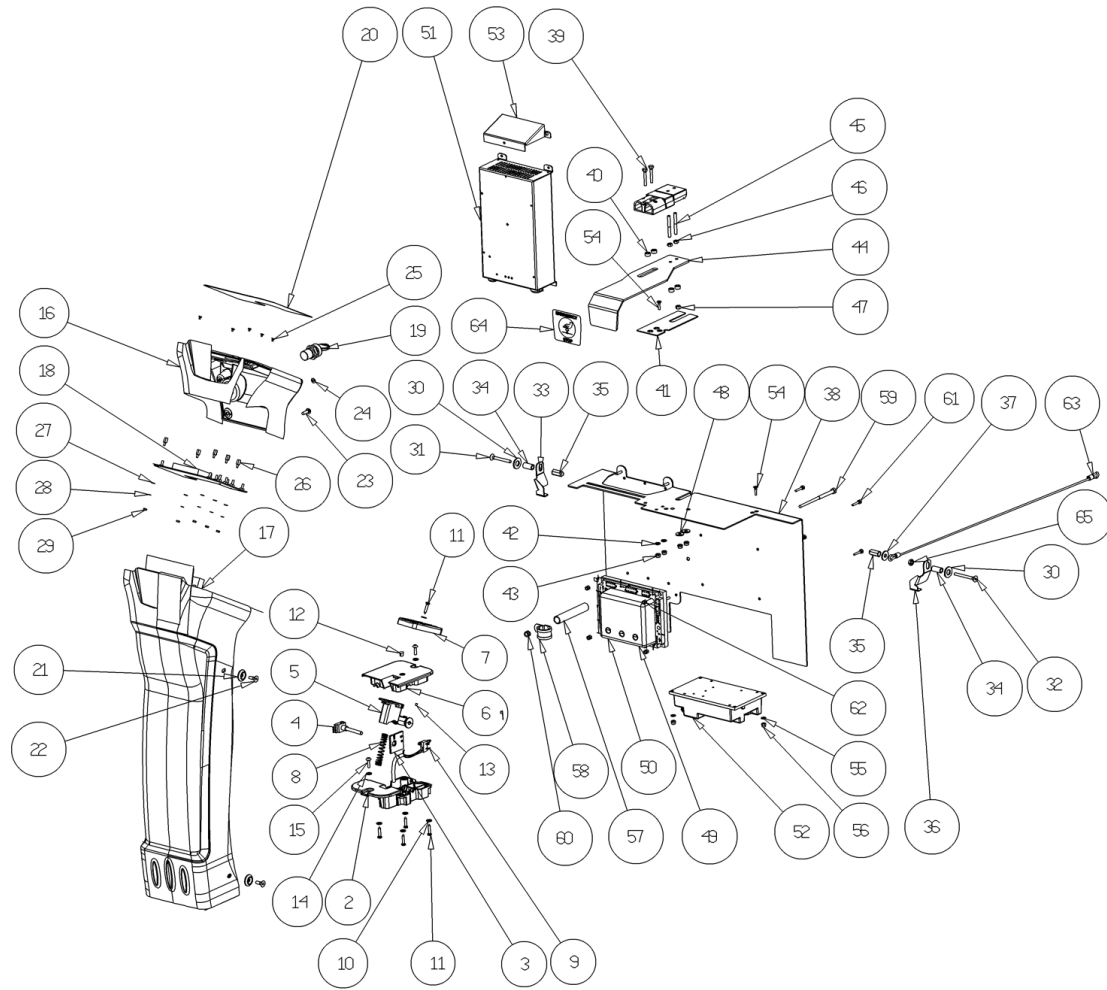
# Spare Parts List

Ref: LPTB02679

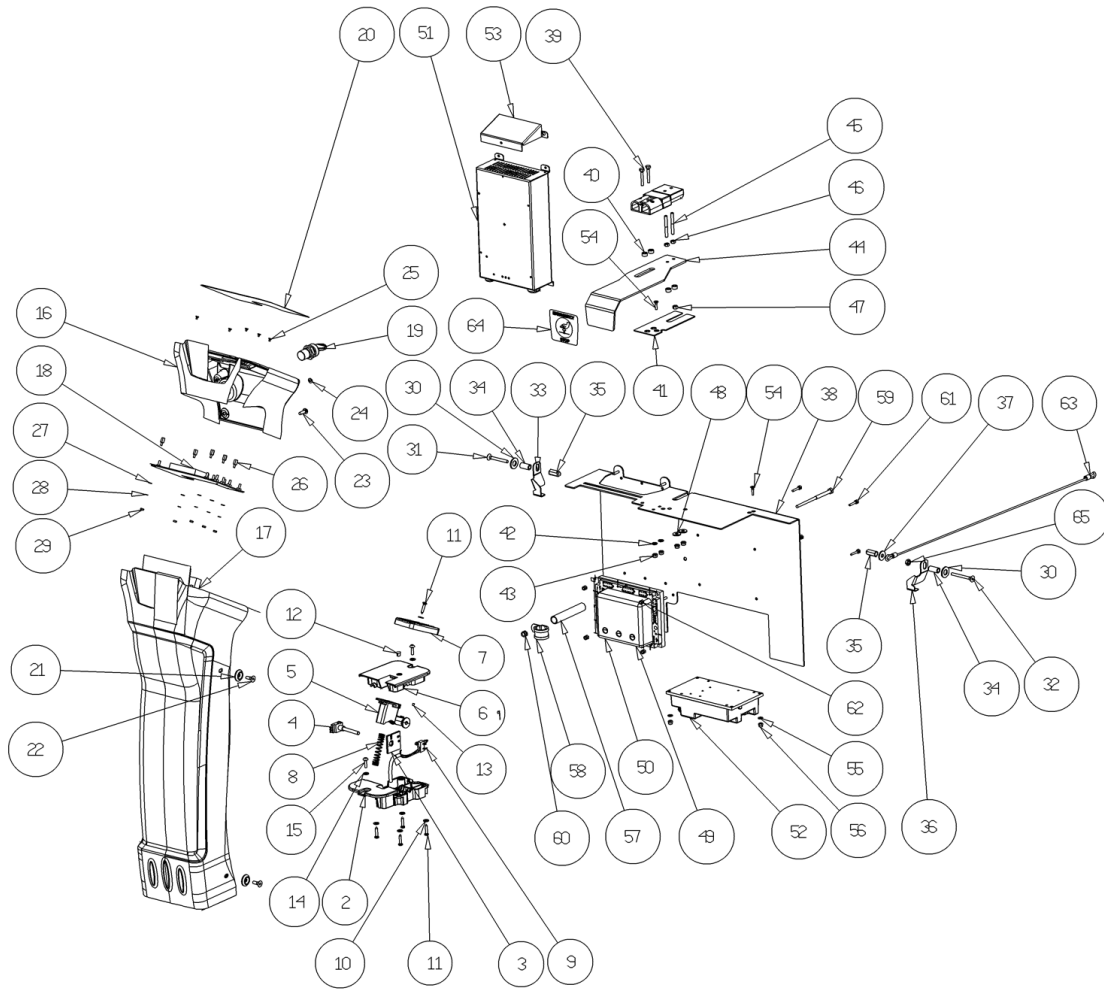
Model: CT80 BT55 GR/VE



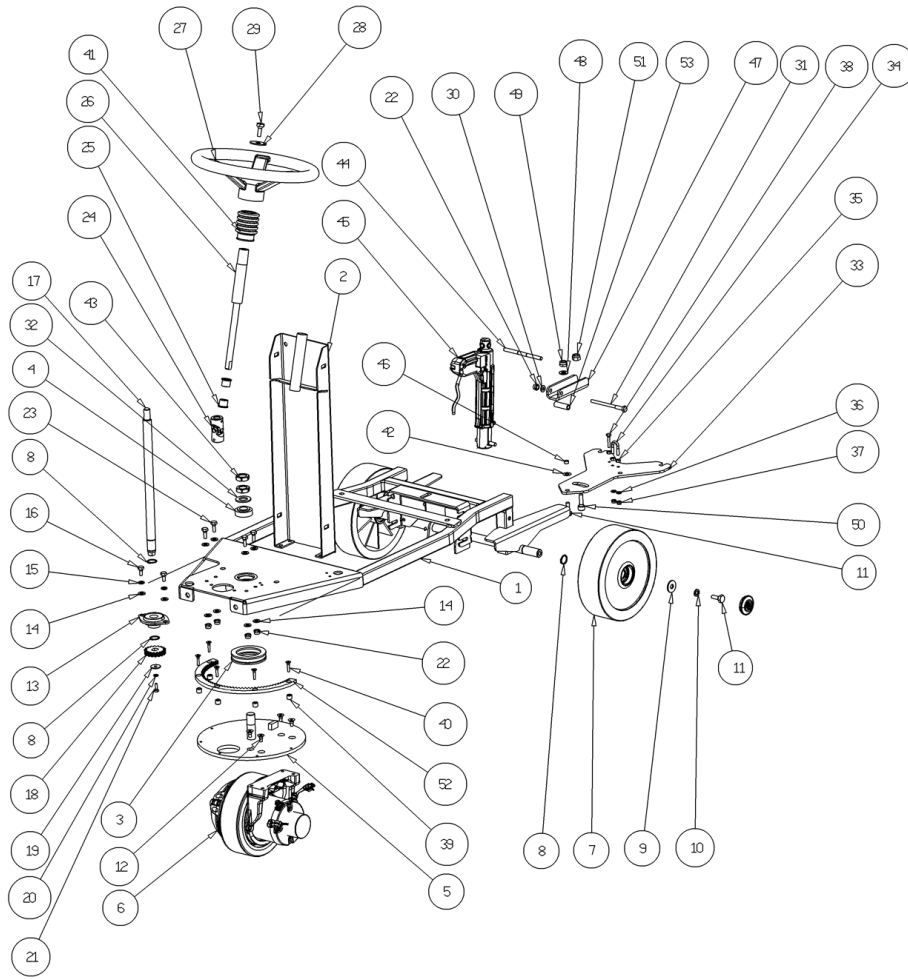
Ref.	K	Part N.	Customer Part N.	Description	Qty	Validity:		Price
						From	To	
0002		VTRS13946		WASHER D. 8 X24 INX UNI 6593	4,00			--
0003		LAFN04151		BUSHING X PARALLELOGRAMMA	2,00			--
0004		VTRS43258		WASHER D.13X24 X2.5 NYL UNI6592	2,00			--
0005		LAFN09298		SHEET METAL PA.-	4,00			--
0006		LAFN09306		CLOSURE -	1,00			--
0008		MOCC00431		MOTOR CT30 B	1,00			--
0009		VTRS15144		WASHER D. 6 INX GRW UNI 1751	4,00			--
0010		VTVT13939		SCREW TE 6X20 UNI5739 INX	4,00			--
0011		VTVR16617		KEY 6X 6X30 UNI 6604	1,00			--
0012		MFVR00212		DRIVE DISK	1,00			--
0013		VTRS16323		WASHER D. 8 X32 UNI 6593 INX	1,00			--
0014		VTRS15146		WASHER D. 8 INX GRW UNI 1751	1,00			--
0015		VTVT13938		SCREW TE 8X20 UNI5739 INX	1,00			--
0016		MEEV00036		SOLENOID VALVE HOLE 8mm CLEANTIME	1,00			--
0017		VTRS00515		WASHER D. 4 INX	2,00			--
0018		VTVT01158		SCREW M4x16	3,00			--
0019		VTRS13947		WASHER D. 8 INX UNI 6592	6,00			--
0020		VTDD01695		NUT M 8 INX	5,00			--
0021		VTDD15521		NUT M 8 INX A2 UNI 5588	1,00			--
0022		MPVR06105		SMALL WHEEL -	1,00			--
0023		LAFN03915		BUSHING NUOVO RUOTINO STRONG	1,00			--
0024		VTVT06241		SCREW 8X40	1,00			--
0025		TBFX48011		TUBE FLEX D.12X3 ARMORV.PVC TR	0,50			--
0026		FSVR00099		CLAMP FERMATUBO	1,00			--
0027		SPPV01352		BRUSH D 530	1,00			--
0029		VTVT13944		SCREW TCEI M 8X20 UNI 5931 INX	2,00			--
0031		VTRS43258		WASHER D.13X24 X2.5 NYL UNI6592	8,00			--
0032		LAFN04151		BUSHING X PARALLELOGRAMMA	4,00			--
0033		VTRS13946		WASHER D. 8 X24 INX UNI 6593	4,00			--
0034		VTVT00410		SCREW TE M8x35 UNI5739 INOX	4,00			--
0035		RCDS35584		BUSHING D. 8X12X 4.3	4,00			--
0036		VTVT01209		SCREW TE M8X80	1,00			--
0037		VTDD01695		NUT M 8 INX	4,00			--
0038		MOCC00424		ATUATOR -	1,00			--
0039		LAFN09320		PIN -	1,00			--
0040		LAFN47168		BELT-STRETCHER L.14	2,00			--



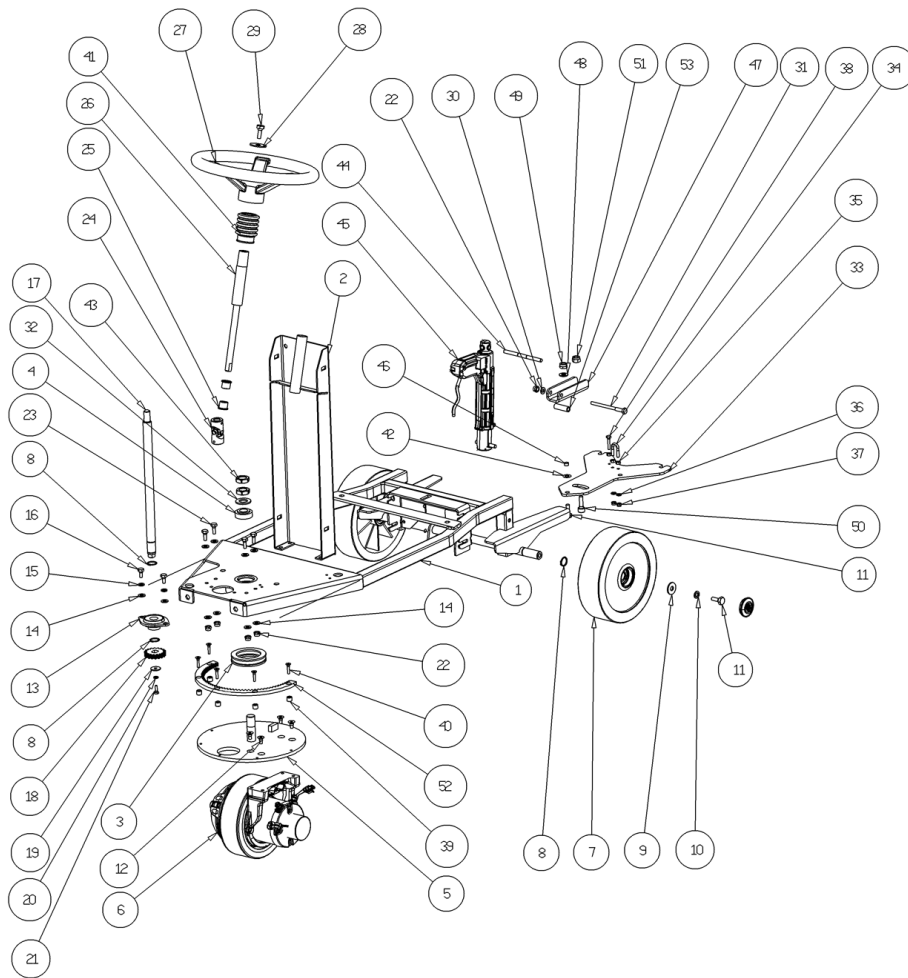
Ref.	K	Part N.	Customer Part N.	Description	Qty	Validity:		Price
						From	To	
0002		MPVR07120		BUSHING -	1,00			--
0003		MPVR07122		PLATE -	1,00			--
0004		MEVR01755		POTENTIOMETER -	1,00			--
0005		MPVR07121		SUPPORT -	1,00			--
0006		MPVR07119		COVER -	1,00			--
0007		MPVR07126		COVER -	1,00			--
0008		MLML00339		SPRING -	1,00			--
0009		MECI00414		MICROSWITCH -	1,00			--
0010		VTRS00516		WASHER D. 5 INX	4,00			--
0011		VTVT48694		SCREW TCB TC 5 X12 UNI 9707 TZ	4,00			--
0012		RCVR00163		CAP D.6	1,00			--
0013		VTVT01703		GRUB SCREW M4X8	1,00			--
0014		VTRS00516		WASHER D. 5 INX	1,00			--
0015		VTVT45339		SCREW TBEI M 5X 16 ISO 7380 ZB	1,00			--
0016		MPVR07124		INSTR.PANEL -	1,00			--
0017		MPVR07123		SIDE PANEL -	1,00			--
0018		MECE00589		BOARD DISPLAY CT80	1,00			--
0019		MECI75805		SWITCH TK	1,00			--
0020		ETET01797		LABEL -	1,00			--
0021		VTVR41809		UND.SCREW FLAN.D. 6.5-22 H4.5 NYL.NERO	4,00			--
0022		VTVT00832		SCREW TSPEI M6X16 INOX	4,00			--
0023		VTVT00787		SCREW TBEI M 6-16	2,00			--
0024		VTRS13750		WASHER D. 5X14 INX	2,00			--
0025		VTVT01377		SCREW TSP-TC M 3X5 UNI7688 INX	5,00			--
0026		VTVR00576		SPACER M3	5,00			--
0027		VTRS00268		WASHER D.3	5,00			--
0028		VTRS21116		WASHER D. 3 INX	5,00			--
0029		VTDD21115		NUT M 3 INOX	5,00			--
0030		VTRS15523		WASHER D.10 X21 INOX UNI 6592	2,00			--
0031		VTVT26818		SCREW M6x45 TSPEI UNI5933	1,00			--
0032		VTVT30247		SCREW TSPEI M 6X 50 UNI 5933	1,00			--
0033		LAFN09398		BRACKET -	1,00			--
0034		MPVR07165		SPACER -	2,00			--
0035		VTVR00556		RIVET -	2,00			--
0036		LAFN09399		BRACKET -	1,00			--
0037		VTRS00245		WASHER D.6 UNI 6592 INOX	1,00			--
0038		LAFN09322		DISTRIBUTOR 60	1,00			--
0039		VTVT00423		SCREW TE M 5X 30 UNI 5739	2,00			--
0040		MPVR07164		SPACER -	2,00			--



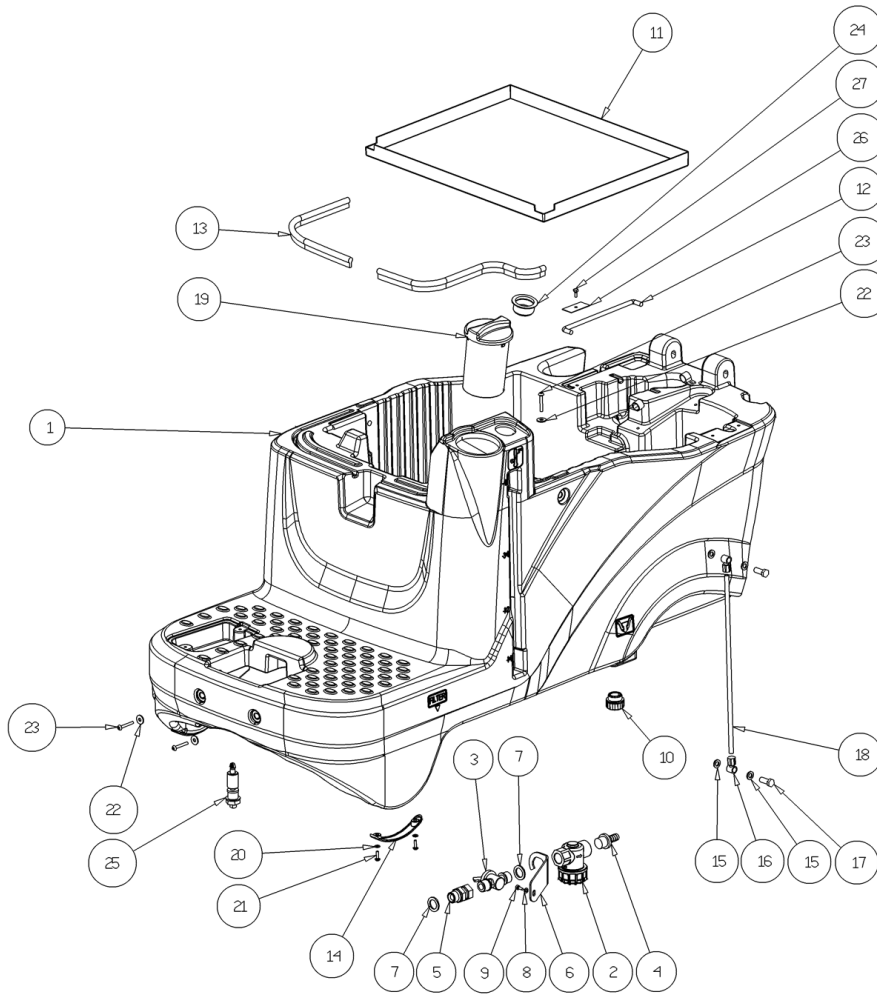
Ref.	K	Part N.	Customer Part N.	Description	Qty	Validity:		Price
						From	To	
0041		MPVR07141		CRANKCASE -	1,00			--
0042		VTRS00516		WASHER D. 5 INX	2,00			--
0043		VTDD01693		NUT M 5 INX	2,00			--
0044		LAFN09321		DISTRIBUTOR 60	1,00			--
0045		LAFN09350		DISTRIBUTOR 60	2,00			--
0046		VTDD07727		NUT M 5 INOX	2,00			--
0048		VTRS13750		WASHER D. 5X14 INX	2,00			--
0049		MECE00588		BOARD POWER SERVICE CT80	1,00			--
0051		BACA00178		BATTERY-CHARGERNE284 12V 15A GEL-AGM-AC.	1,00			--
0052		MECE00590		BOARD CT80 BT55	1,00			--
0053		LAFN09326		DISTRIBUTOR 60	1,00			--
0054		VTVT16939		SCREW M 4X 16 TSPEI UNI 5933	2,00			--
0055		VTRS00515		WASHER D. 4 INX	2,00			--
0056		VTDD00055		NUT M 4 ATB A2	2,00			--
0057		LAFN09323		DISTRIBUTOR 60	1,00			--
0058		MEVR02096		FAIR-LEAD -	1,00			--
0059		VTVT00414		SCREW TE M6x100 UNI5739	1,00			--
0060		VTDD01694		NUT M6 INOX	1,00			--
0061		VTVT00704		SCREW TE M 4X 16 UNI5739 INOX	4,00			--
0062		VTDD15925		NUT M 4 INX	4,00			--
0063		CMCV00469		CABLE CT80	1,00			--
0064		ETET01825		LABEL -	1,00			--
0065		VTDD00053		NUT M6 INOX UNI5589	1,00			--



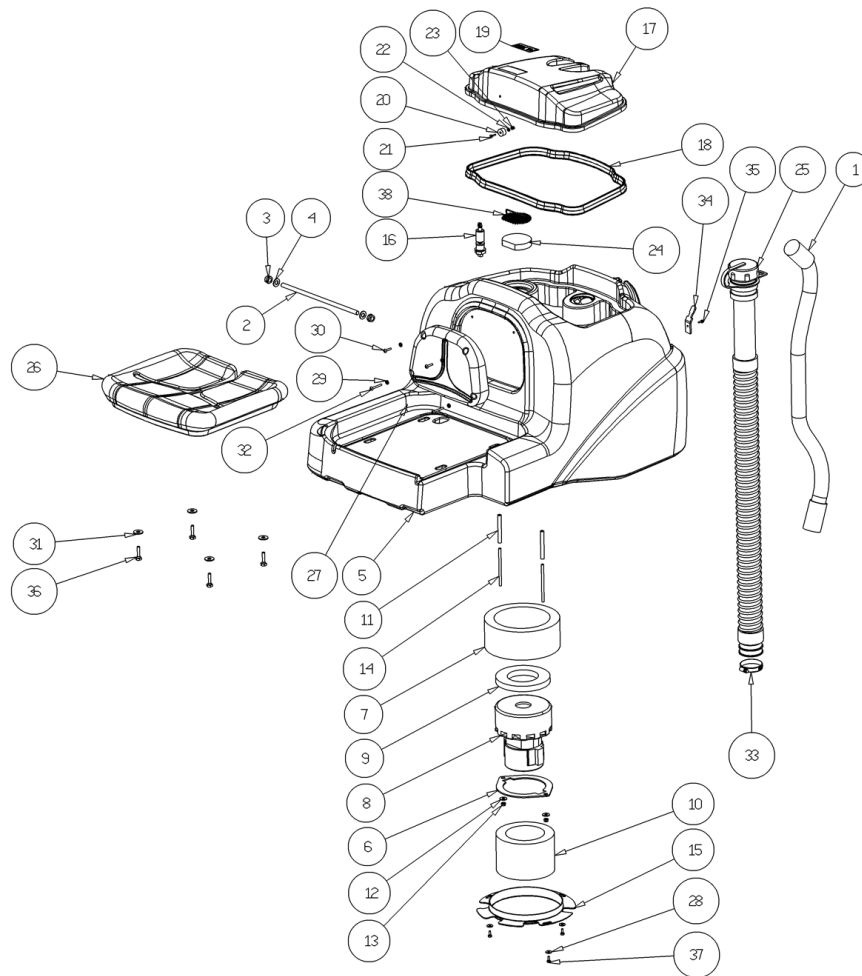
Ref. K	Part N.	Customer Part N.	Description	Qty	Validity: From	To	Price
0001	LAFN09292		SHEET METAL PA.-	1,00			--
0002	LAFN09373		SHEET METAL PA.-	1,00			--
0003	CUVR75816		BEARING 51112	1,00			--
0004	CUVR00094		BEARING 32004 TIPO SKF	1,00			--
0005	LAFN09293		SHEET METAL PA.-	1,00			--
0006	MOCC00433		MOTOR ELECTRICAL 24V 300W	1,00			--
0007	RTRT00547		WHEEL D.250x60	2,00			--
0008	VTAE06193		CIRCLIP D. 20 UNI 7435	2,00			--
0009	VTRS15524		WASHER D.10	2,00			--
0010	VTRS15909		WASHER D.10	2,00			--
0011	VTVT03640		SCREW TE 10X25 UNI5740	2,00			--
0012	VTVT00790		CARRYNG BAG	4,00			--
0013	CUVR00105		SUPPORT	1,00			--
0014	VTRS13947		WASHER D. 8 INX UNI 6592	2,00			--
0015	VTRS15146		WASHER D. 8 INX GRW UNI 1751	2,00			--
0016	VTVT15916		SCREW TE M 8X 16 UNI 5739 A2	2,00			--
0017	LAFN09294		SHEET METAL PA.-	1,00			--
0018	LAFN06377		PINION STERZO	1,00			--
0019	VTRS16937		WASHER 6x24 INOX UNI 6593	1,00			--
0020	VTRS15144		WASHER D. 6 INX GRW UNI 1751	1,00			--
0021	VTVT15143		SCREW TE 6X16 UNI5739	1,00			--
0022	VTDD01695		NUT M 8 INX	4,00			--
0023	VTVT13938		SCREW TE 8X20 UNI5739 INX	4,00			--
0024	VTVR00057		ARTICULATION CARDANICO	1,00			--
0025	LAFN75841		BUSHING TK 1000	2,00			--
0026	ALTR00097		TRACTION SHAFT LOLY 50	1,00			--
0027	MPVR47027		STEERING WHEEL D. 320 L.14	1,00			--
0028	VTRS44254		WASHER D.10 X40X2.5 UNI6593	1,00			--
0029	VTVT00455		SCREW TE 10X20 UNI5739	1,00			--
0030	VTRS00274		WASHER NYLON 66 D.8,4-17-2 UNI	2,00			--
0031	VTVT01677		SCREW TE M 8X100	1,00			--
0032	VTRS00019		WASHER UNI 6592 FORO 20 INOX	1,00			--
0033	LAFN09328		DISTRIBUTOR 60	1,00			--
0034	LAFN09231		BRACKET M6X11X29	1,00			--
0035	VTDD15520		NUT M 6 A2 UNI 5588 INX	2,00			--
0036	VTRS00245		WASHER D.6 UNI 6592 INOX	2,00			--
0037	VTDD01694		NUT M6 INOX	2,00			--
0038	VTVT13939		SCREW TE 6X20 UNI5739 INX	1,00			--
0039	LAFN06844		SPACER CORONA	5,00			--



Ref. K	Part N.	Customer Part N.	Description	Qty	Validity:		Price
					From	To	
0040	VTVT25909		SCREW M 6X 25 TSPEI UNI 5933	5,00			--
0041	MPVR51068		PROTECTOR STERZO CLT 160	0,50			--
0042	MLML34767		SPRING D.10.2 X20	1,00			--
0043	VTDD00524		NUT M20x1,5 UNI 5589	2,00			--
0044	LAFN09320		PIN -	1,00			--
0045	MOCC00424		ATUATOR -	1,00			--
0046	LAFN09407		SPACER -	1,00			--
0047	LAFN09406		SUPPORT -	1,00			--
0048	VTRS13947		WASHER D. 8 INX UNI 6592	1,00			--
0049	VTDD01695		NUT M 8 INX	1,00			--
0050	VTVT00307		SCREW TCEI M10X30	1,00			--
0051	VTDD15519		NUT M10 INOX	1,00			--
0052	LAFN09409		BRAKE -	1,00			--
0053	MPVR06421		SPACER -	1,00			--

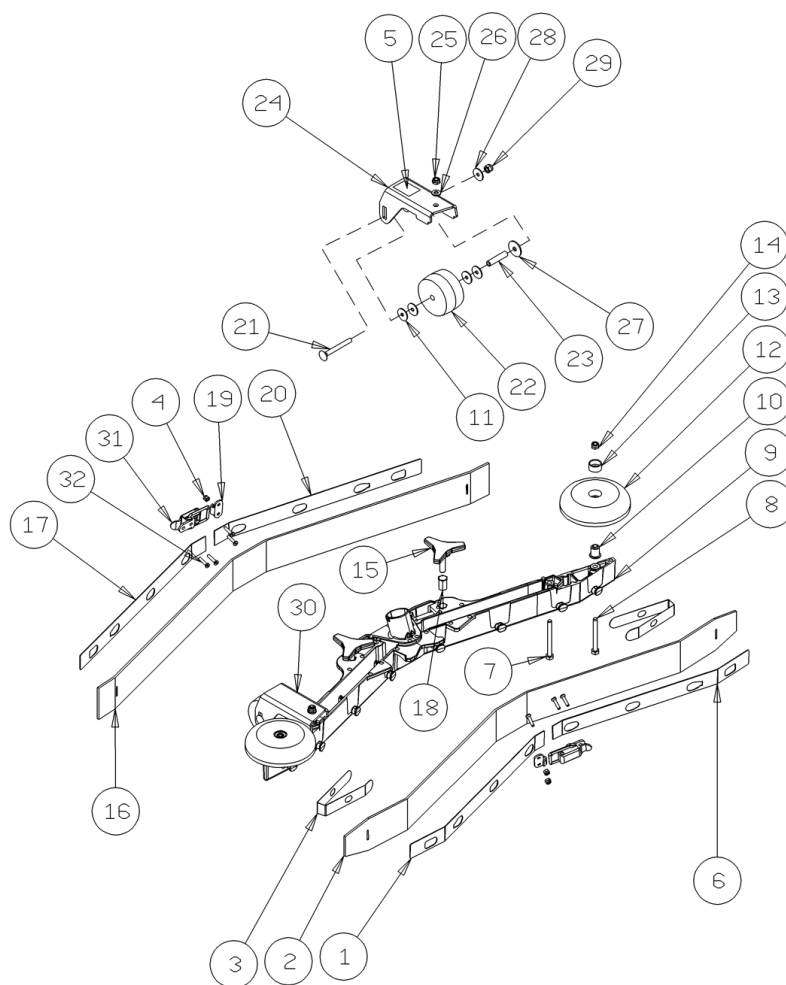


Ref. K	Part N.	Customer Part N.	Description	Qty	Validity:		Price
					From	To	
0001	MPVR07117		TANK -	1,00			--
0002	FTAC00045		FILTER CT15-CT30	1,00			--
0003	RCGR00078		TAP -	1,00			--
0004	RCVR00514		CONNECTOR 1/2 M RESCA 15	1,00			--
0005	RCVR00594		CONNECTOR 1/2" M/F	1,00			--
0006	LAFN09393		BRACKET -	1,00			--
0007	VTRS00567		WASHER 1/2	2,00			--
0008	VTRS13750		WASHER D. 5X14 INX	1,00			--
0009	VTVT01300		SCREW TE M5X12 INOX	1,00			--
0010	MPVR07073		CAP SOLUTION TANK CT110	1,00			--
0011	MPVR07131		CONTAINER BATTERIA CT80	1,00			--
0012	LAFN09401		PIN -	1,00			--
0013	GUVR00288		GASKET N052 S1007	0,80			--
0014	MPVR06102		BRACKET -	2,00			--
0015	GUGO40012		GASKET D. 9- 16 X 2 VITON	4,00			--
0016	RCVR40127		CONNECTOR 1/8" D. 6/ 8 NIK	2,00			--
0017	RCVR40079		SCREW G 1/8 L= 28	2,00			--
0018	TBBP15347		L.P. HOSE D. 6- 8 RILSAN NT.	0,37			--
0019	MPVR07127		COVER -	1,00			--
0020	VTRS00516		WASHER D. 5 INX	4,00			--
0021	VTVT00805		SCREW TBEI M. 5-10	4,00			--
0022	VTRS13946		WASHER D. 8 X24 INX UNI 6593	2,00			--
0023	VTVT00410		SCREW TE M8x35 UNI5739 INOX	2,00			--
0024	MPVR06399		CAP -	1,00			--
0025	MECI00533		SENSOR VS303-51N	1,00			--
0026	LAFN09408		BRACKET -	1,00			--
0027	VTVT01300		SCREW TE M5X12 INOX	1,00			--

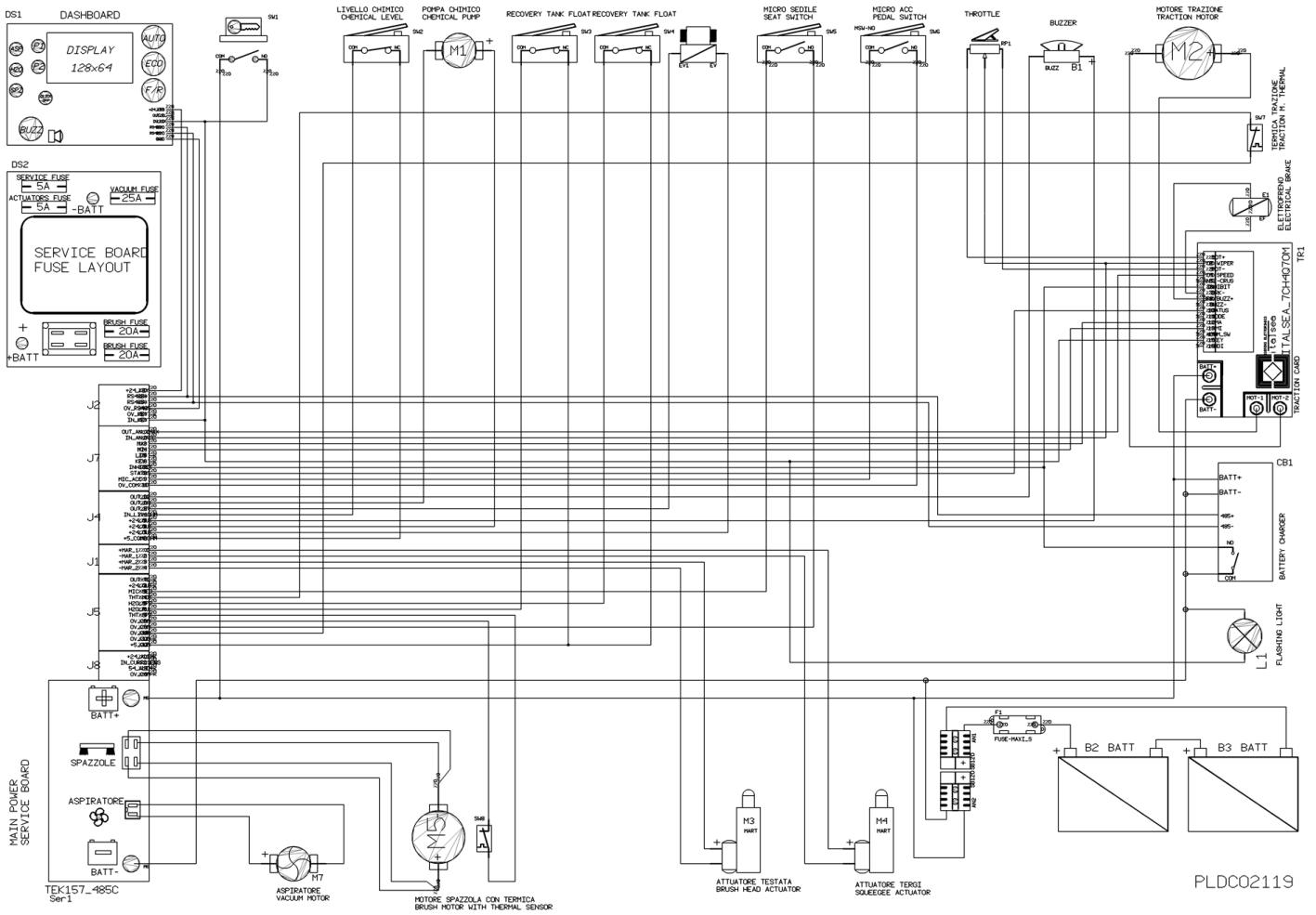


Ref. K	Part N.	Customer Part N.	Description	Qty	Validity:		Price
					From	To	
0001	TBBP00512		TUBE -	1,00			--
0002	LAFN09389		PIN -	1,00			--
0003	VTDD10310		NUT AUTOBL.M10 INOX DIN 985	2,00			--
0004	VTRS15523		WASHER D.10 X21 INOX UNI 6592	2,00			--
0005	MPVR07116		TANK -	1,00			--
0006	LAFN09352		DISTRIBUTOR 60	1,00			--
0007	ITSO00071		INSULATOR -	1,00			--
0008	MOCC00417		VACUUM CLEANER -	1,00			--
0009	GUGO00272		GASKET VACUUM MOTOR CT	1,00			--
0010	ITSO00072		INSULATOR -	1,00			--
0011	LAFN51078		SPACER SH	2,00			--
0012	VTRS13945		WASHER D. 6X18 INX UNI 6593	2,00			--
0013	VTDD01694		NUT M6 INOX	2,00			--
0014	VTVR00198		ROD	2,00			--
0015	MPVR07125		COVER -	1,00			--
0016	MECI00533		SENSOR VS303-51N	1,00			--
0017	MPVR07118		COVER -	1,00			--
0018	GUVR00288		GASKET N052 S1007	1,21			--
0019	ETET01824		LABEL -	1,00			--
0020	MPVR06400		CAP -	1,00			--
0021	VTVT00056		SCREW TSCE 4X12 ACCIAIO INOX	1,00			--
0022	VTRS00515		WASHER D. 4 INX	1,00			--
0023	VTDD00055		NUT M 4 ATB A2	1,00			--
0024	FTDP00232		FILTER -	1,00			--
0025	TBBP00513		TUBE -	1,00			--
0026	SESD86493		DISTRIBUTOR 60	1,00			--
0027	MPVR07132		SHEET METAL PA.CT80	1,00			--
0028	VTRS13750		WASHER D. 5X14 INX	3,00			--
0029	VTRS00516		WASHER D. 5 INX	4,00			--
0030	VTVT00852		SCREW	2,00			--
0031	VTRS13946		WASHER D. 8 X24 INX UNI 6593	4,00			--
0032	VTVT01207		SCREW TBEI 5X35	2,00			--
0033	FSVR00033		CLAMP 45-60	1,00			--
0034	LAFN09400		HOOK -	1,00			--
0035	VTVT21096		SCREW TE M 4X 10 INX	1,00			--
0036	VTVT13937		SCREW TE M 8X 30 INX UNI 5739	4,00			--
0037	VTVT01300		SCREW TE M5X12 INOX	3,00			--
0038	LAFN09353		DISTRIBUTOR 60	1,00			--





Ref. K	Part N.	Customer Part N.	Description	Qty	Validity:		Price
					From	To	
0001	LAFN09275		SHEET METAL PA.-	1,00			--
0002	MPVR06287		BLADE XS 3MM LATEX	1,00			--
0003	MPVR05897		CLOSURE S	2,00			--
0004	VTDD00210		NUT M 3 INOX	8,00			--
0005	ETET01817		LABEL -	2,00			--
0006	LAFN09276		SHEET METAL PA.-	1,00			--
0007	VTVT17342		SCREW TE M 6X 60 UNI 5739 INX	2,00			--
0008	VTVT00655		SCREW TE M. 6-55	2,00			--
0009	MFVR00143		BODY SQUEEGEE PRESSOFUSO	1,00			--
0010	LAFN04100		SPACER PER RUOTINO PARACOLPI	2,00			--
0011	VTRS00274		WASHER NYLON 66 D.8,4-17-2 UNI	4,00			--
0012	MPVR06105		SMALL WHEEL -	2,00			--
0013	MPVR49229		BUSHING SHK	2,00			--
0014	VTDD01694		NUT M6 INOX	2,00			--
0015	MPVR06004		KNOB AISI 304	2,00			--
0016	MPVR06288		BLADE XS 3MM LATEX	1,00			--
0017	LAFN09277		SHEET METAL PA.-	1,00			--
0018	VTVR00567		INSERT -	2,00			--
0019	LAFN09301		SOCKET -	2,00			--
0020	LAFN09278		SHEET METAL PA.-	1,00			--
0021	VTVT01206		SCREW M6X55	2,00			--
0022	RTRT00398		WHEEL -	2,00			--
0023	LAFN07589		SPACER -	2,00			--
0024	LAFN09217		SUPPORT SX	1,00			--
0025	VTDD01694		NUT M6 INOX	2,00			--
0026	VTRS00245		WASHER D.6 UNI 6592 INOX	2,00			--
0027	VTRS16937		WASHER 6x24 INOX UNI 6593	2,00			--
0028	VTRS13945		WASHER D. 6X18 INX UNI 6593	2,00			--
0029	VTDD15518		NUT M 6 INX	2,00			--
0030	LAFN09216		SUPPORT DX	1,00			--
0031	LAFN09302		CLOSURE -	2,00			--
0032	VTVT01070		SCREW TSTC M3X8	8,00			--



PLDC02119

Ref. K	Part N.	Customer Part N.	Description	Qty	Validity:		Price
					From	To	
0000	MECE00590		BOARD CT80 BT55	1,00			--