



***DINOLift***  
***UP TO THE JOB***

Quality  
workmanship.

**DINO® TRAILERS**  
**T SERIES**

- Trailer mounted T series
- Working heights 12.0 – 23.0 m
- Telescopic boom



# Trailer mounted T series

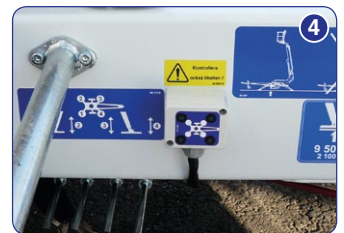
## Standard features in all DINO T-models:

- Driving system (picture 1)
- Large outrigger plates 280 x 360 mm (picture 2)
- Continuous rotation of the boom
- Basket rotation 90°\*  
\*) except in I20T
- Proportional controls\*  
\*) except in I20T (2-speed)
- AC sockets in basket
- Steady boom movements
- Easy to use and maintain
- Stable to tow



## Options available for all DINO T-models:

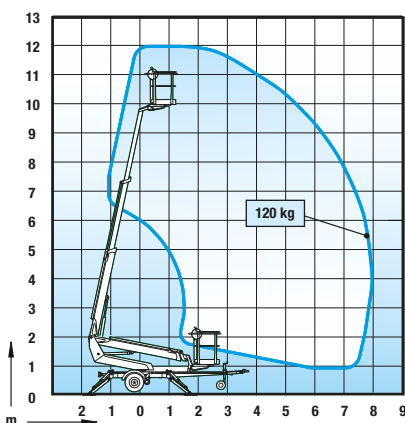
- Petrol power pack\*  
\*) standard equipment in 230T
- Cable steering for driving system (picture 3)
- Outrigger limit switch indicator (picture 4)



## DINO® 120T

- Full outreach with maximum basket capacity, 120kg
- Easy set up; ease of operation
- I-person steel basket

## Technical data



Max. working height	12.00 m
Max. platform height	10.00 m
Max. outreach	7.90 m
Support width	3.15/3.55 m
Lifting capacity	120 kg
Basket size	0.75 x 0.80 m
Boom rotation	cont.
Boom control	2-speed
Transport length	5.52 m
Transport width	1.72 m
Transport height	1.96 m
Weight	1285 kg
Driving system	std
AC-socket in the basket x 2	std
Electro motor	std
Petrol power pack	opt.
Gradeability	25%

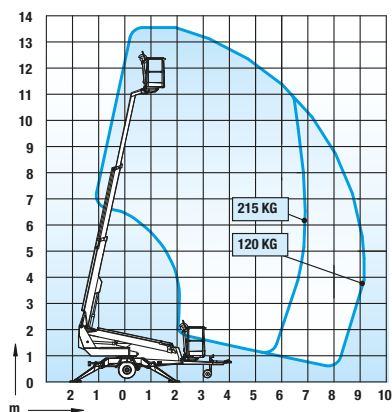


## DINO® 135T / 150T / 180T

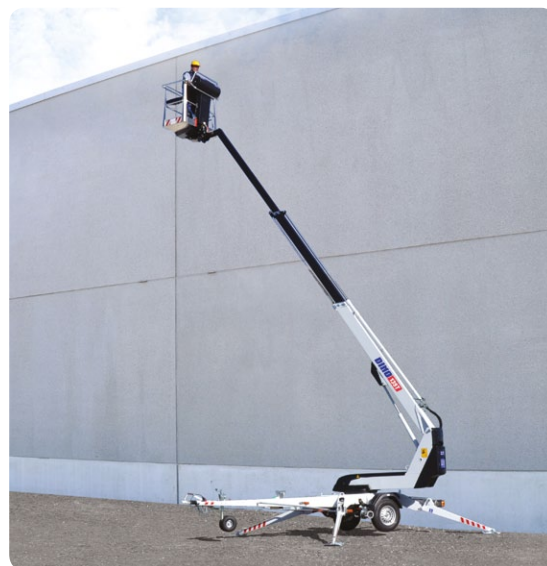
- 2 person basket, maximum capacity 215kg
- Proportional boom movements
- Basket rotation 90°

### DINO® 135T

#### Technical data

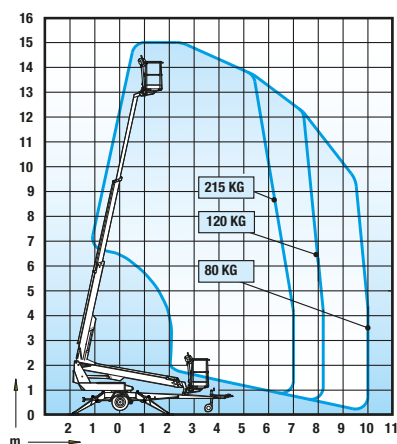


Max. working height	13.50 m
Max. platform height	11.50 m
Max. outreach	9.10 m
Support width	3.8 / 4.2 m
Lifting capacity	215 kg
Basket size	0.70 x 1.30 m
Boom rotation	cont.
Basket rotation	90°
Boom control	proport.
Transport length	5.94 m
Transport width	1.78 m
Transport height	2.14 m
Weight	1635 kg
Driving system	std
AC-socket	std
Electro motor	std
Petrol power pack	opt.
Gradeability	25%

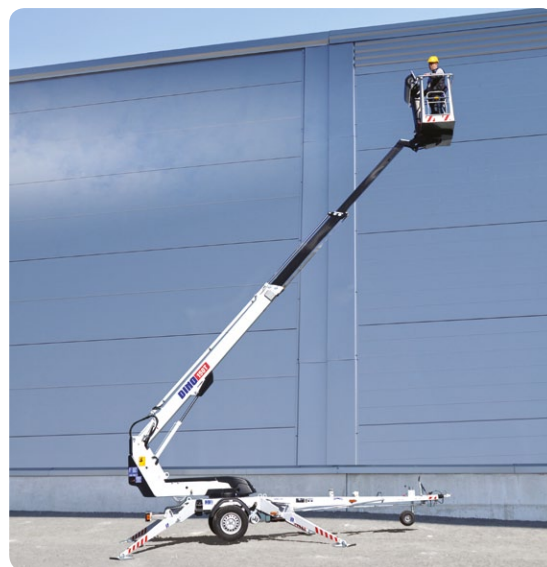


### DINO® 150T

#### Technical data

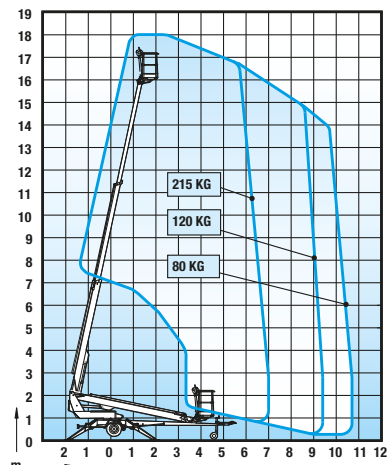


Max. working height	15.00 m
Max. platform height	13.00 m
Max. outreach	10.00 m
Support width	3.8 / 4.2 m
Lifting capacity	215 kg
Basket size	0.70 x 1.30 m
Boom rotation	cont.
Basket rotation	90°
Boom control	proport.
Transport length	6.43 m
Transport width	1.78 m
Transport height	2.14 m
Weight	1670 kg
Driving system	std
AC-socket	std
Electro motor	std
Petrol power pack	opt.
Gradeability	25%



### DINO® 180T

#### Technical data



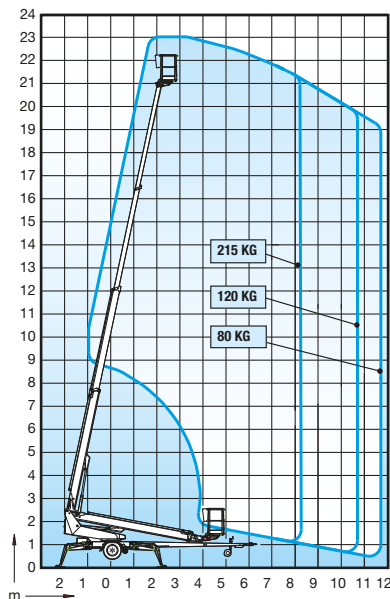
Max. working height	18.00 m
Max. platform height	16.00 m
Max. outreach	10.70 m
Support width	3.8 / 4.2 m
Lifting capacity	215 kg
Basket size	0.70 x 1.30 m
Boom rotation	cont.
Basket rotation	90°
Boom control	proport.
Transport length	7.41 m
Transport width	1.78 m
Transport height	2.14 m
Weight	1840 kg
Driving system	std
AC-socket	std
Electro motor	std
Petrol power pack	opt.
Gradeability	25%



## DINO® 230T

- Generator as standard; providing a power source for both the platform and tools
- Spider outriggers; great leveling capability in slopy terrain
- Robust boom; stable movements and large outreach

### Technical data



Max. working height	23.00 m
Max. platform height	21.00 m
Max. outreach	11.70 m
Support width	4.40/4.85 m
Lifting capacity	215 kg
Basket size	0.70 x 1.30 m
Boom rotation	cont.
Basket rotation	90°
Boom control	proport.
Transport length	8.15 m
Transport width	2.05 m
Transport height	2.24 m
Weight	2960 kg
Driving system	std
AC-socket in the basket x 2	std
Electro motor	std
Generator pack	std
Gradeability	25%



## Trust us to reach higher.



# DINOLIFT

Dinolift Oy

Raikkolantie 145 • FI-32210 LOIMAA • FINLAND  
 Tel. +358 (0)20 1772 400 • Fax +358 (0)2 76 27 160  
[www.dinolift.com](http://www.dinolift.com)

Dinolift Oy is a Finnish company that manufactures and sells high-quality DINO aerial work platforms since 1974. DINO platforms allow you to work above ground safely and effectively, while offering an enjoyable user experience from ground up. DINO lifts have been sold to more than 40 countries around the world, with exports accounting for 75% of production. The company's main markets are in the Nordic countries and in northern Europe.

**Technical specifications are subject to change without prior notice.**