

■ Specification

Model	CKCCA811
Pick up Element	1/3" SONY
Effective Picture Elements (H×V)	NTSC:976(H)×494(V) PAL:976(H)×582(V)
Horizontal Resolution	720 TV Line
Minimum Illumination	0.001 Lux 0Lux (with IR LED ON)
S/N Ratio	52dB
Scanning System	2:1 interface
Synchronous System	Internal, Negative sync.
Auto Electronic Shutter	NTSC: 1/60s~1/100,000s, PAL: 1/50s~1/100,000s
Gama Characteristic	0.45
IR Distance	10 Meters (with \varnothing 5X10 PCS Infrared LED)
Video Output	1Vpp, 75 Ω
Auto Gain Control	Auto
Power/Current	DC12V(+/-10%)/350mA
Lens	3.6mm Board Lens/F2.0
Dimension (mm)	90(W) x72(H) x62(D)mm
Weight (g)	350
Storage Temperature	-30~+60 $^{\circ}$ C RH95% MAX
Operating Temperature	-10~+45 $^{\circ}$ C RH95% MAX

■ Packing List

No	Name	Model	Number
1.	Vandalproof IR Camera	CKCCA811	1
2.	User Guide	CKCCA811	1

Franchiser:

CKCCA811 Color Camera

Vandalproof IR Camera



Notes : Before providing power for the camera, please read this User Guide in detail!

Do not attempt to disassemble the camera. If the camera can not work, please contact local franchiser or our company.

■ BRIEF OF PRODUCT

* Sensor (CCD)

Adopt SONY 1/3" CCD Sensor.

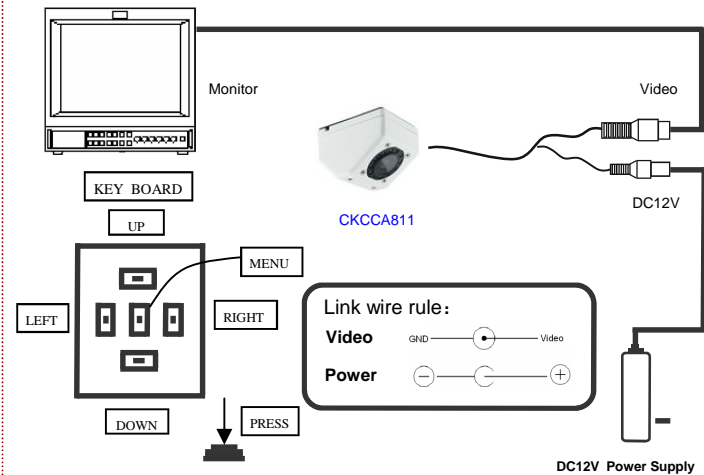
* Auto Gain Control (AGC)

Built-in auto gain control (AGC) circuit. The color camera can get high definition picture in low Lux condition.

* Scanning Mode

NTSC or PAL mode.

■ CONNECTING



TROUBLE AND SOLUTION

1. No Picture after providing power

- . May be the power supply voltage abnormity, please check the power supply voltage and pole whether exactitude.
- . Please check all the connecting cable and monitors whether be connected correctly or not.

2. The picture level direction have flowing interference ripples

- . May be caused by the power supply AC ripples, it need filter the wave of the power supply.
- . Check the monitor and peripheral equipments used.

3. The picture background color changes continuously

- . The fluorescent lamp's electromagnetic field cause color roll. This is proper phenomenon of the cameras.
- . Reduce the fluorescent lamp numbers or increase the distance between the camera and the fluorescent lamps can improve it.
- . Use power supply external sync. camera can solve it.

4. The picture smear too mass

- . The power supply's voltage unstable.
- . Connecting cables not connect correctly or have high impedance.



Notes:

- The power supply must through safe attestation. Its output voltage, current, voltage polarity and operating temperature must match the camera's requirement.
- When using the camera in the thunderbolt condition, please note to mount Anti-thunder device or put off the power supply plug and cable.
- In order to capture high quality pictures, the power supply's cable and video output cable should not be too long.

■ INTRODUCTION

Congratulations on your purchase of this product. This User Guide suits CKCCA811 series product. We adopt the latest SONY technical of sensor and driver. The most attractive characteristics are small and easy hidden, suits the elevator and corridor. In addition, it owns the characters of high definition and stability, strong anti-jamming, rich and real color. Fixing and using this model are convenient too. It is very good for you to apply to your CCTV system.

Please read this instruction manual carefully to ensure proper use of the product.



To prevent fire or shock hazardous. Do not expose the unit to rain or moisture.



The symbol is intended to alert the user to the presence of important operating and maintenance (servicing) Instructions in the literature accompanying the appliance.



The symbol is intended to alert the user to the presence of uninsulated 'dangerous voltage' within the product's enclosure that may be of sufficient Magnitude to a risk of electric shock to persons.

!	CAUTION: RISK OF ELECTRIC. DO NOT OPEN	⚡
SHOCK		
CAUTION: TO REDUCE THE RISK OF ELECTRIC		
DO NOT REMOVE COVER OR BACK NO USER SERVICEABLE PARTS INSIDE. REFER SERVICING		

CAUTION: TO PREVENT ELECTRIC SHOCKS AND RISK OF FIRE HAZARDS, DO NOT USE OTHER THAN SPECIFIED POWER SOURCE.
--



Note:

- Please note the camera's operating temperature and its using environment requirement. Avoid using the camera at too high or too low temperatures. The operating temperature is -30~+60°C. (Recommendatory operating temperature is -10~+45°C.)
- Never make the camera face the sun or bright object. Otherwise, it will damage the CCD.
- Do not mount the camera near by the radiator or heater.