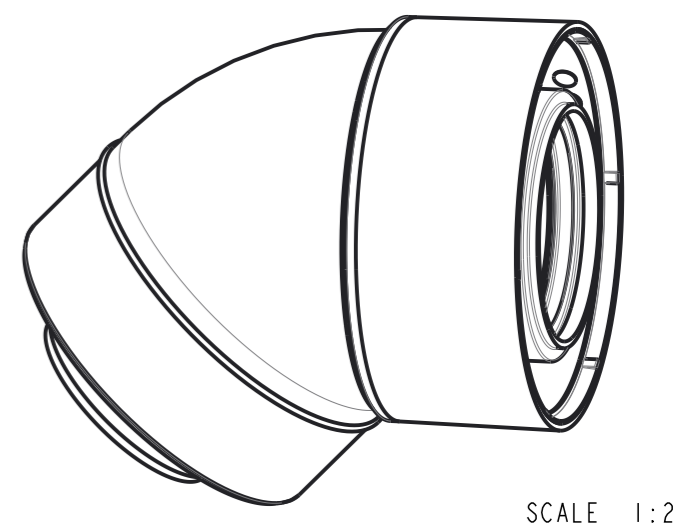
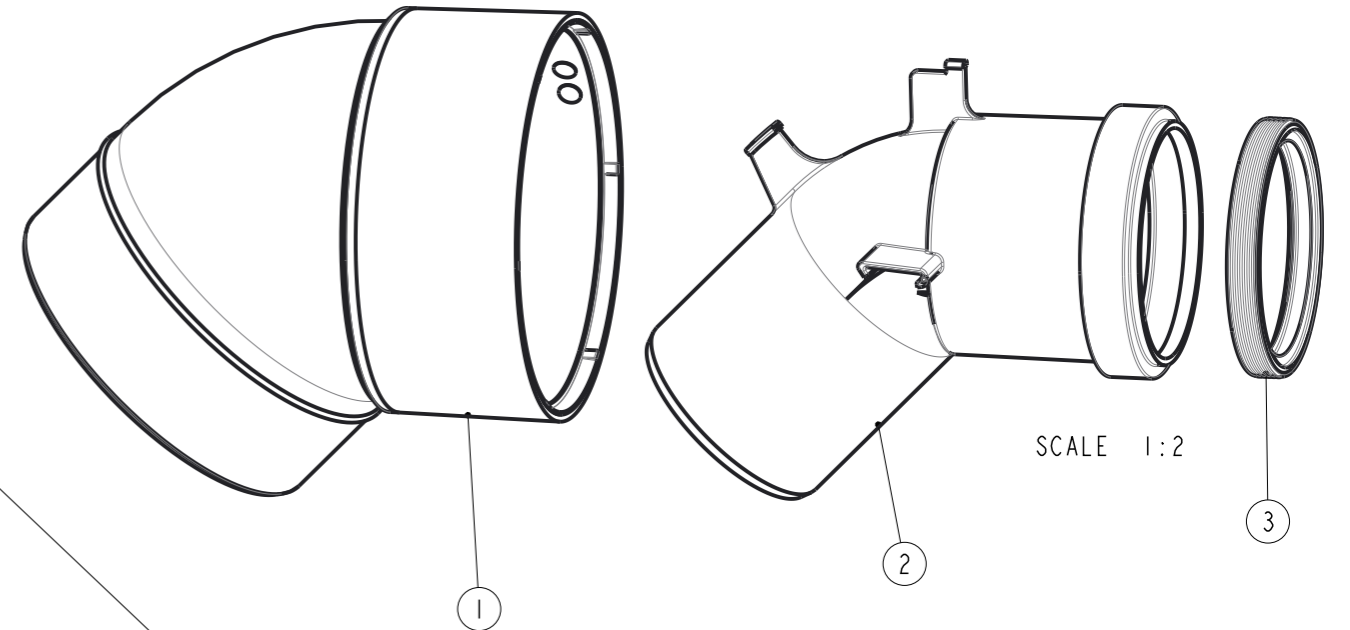
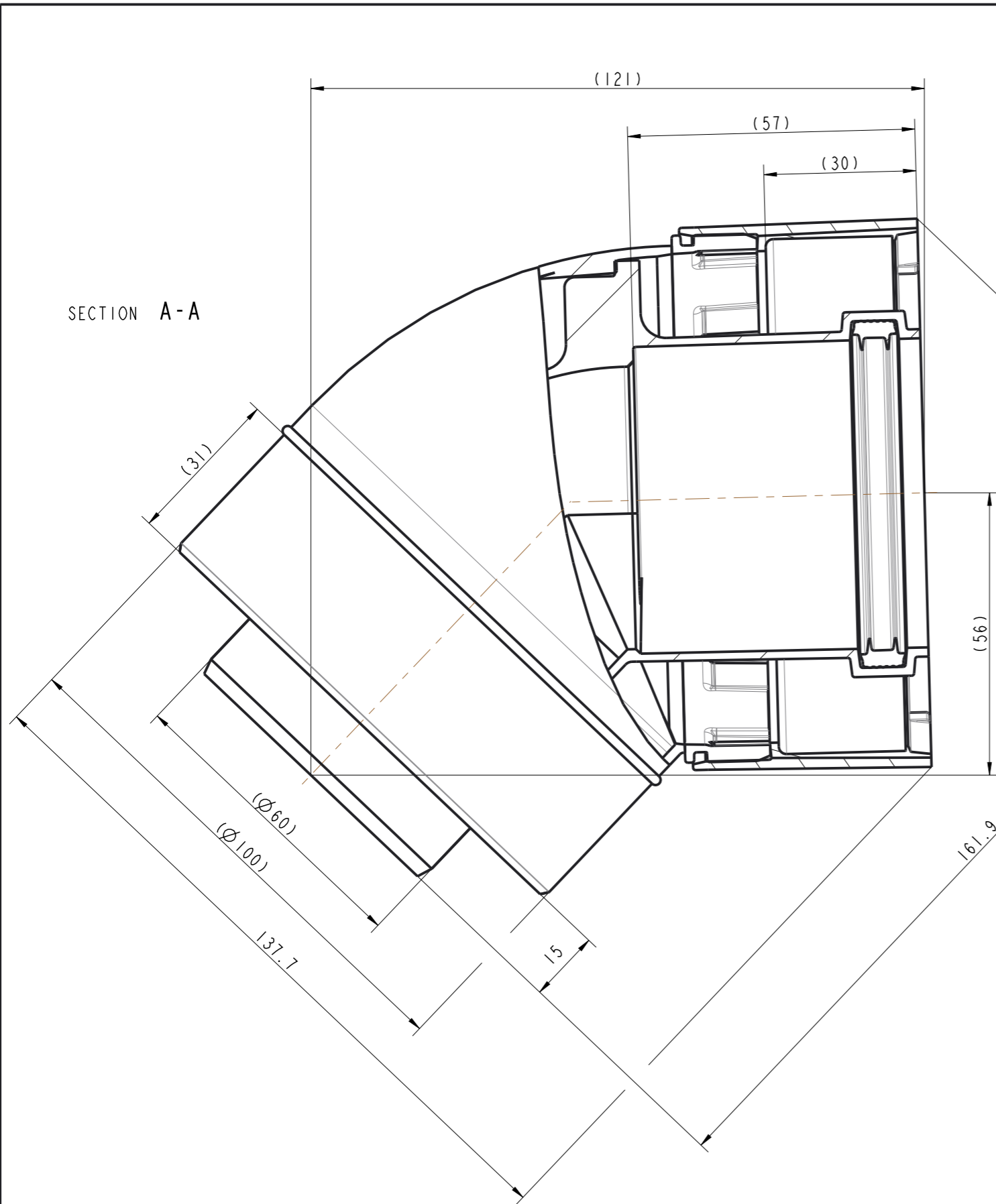




For this document we expressly reserve all rights. According to ISO 16016.



pos.	qty.	description	dim.	material
1	1	Outerbend 45° with socket	DN100	PP-G-WHT/TPE-G
2	1	Innerbend 45° with socket	DN60	PP-F-TLT
3	1	2-Lip Sealing	DN60	EPDM-F-GREY

 	D	Conform UCG ext drawing layout	02-08-16	JH
	C	product release	30-05-16	FvD
	B	alterations after first quote	07-09-15	FvD
scale	tolerance	dimension	approx.weight (calc. by CAD)	approx.volume (calc. by CAD)
1:1	ISO 2768-v	DN60/100	147 g	157 cm ³
model name	material/FMS		date	ini
RLX-UBB-BND-60-100-45-PP-PP-PF	Various		production released	30-05-16 FvD
status	drawing number		for test production	
Released	10-1505110001-EXT		for quote	07-09-15 FvD
add info	description		approved by	
45°	RLX-UBB- 60-100-45 PF		created on	03-07-15 FvD
			sheet	projection method 3
			1/1	index
				D