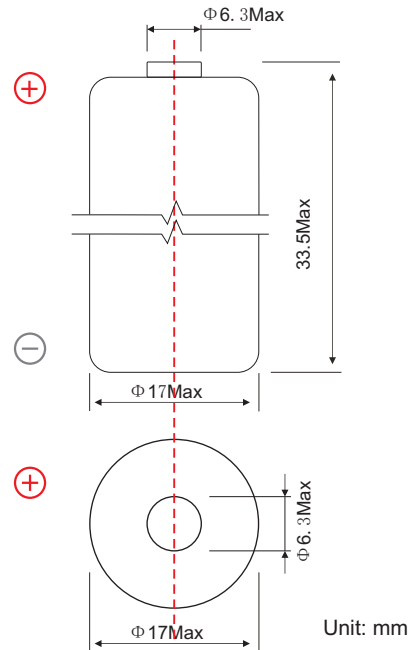


**FORTE**

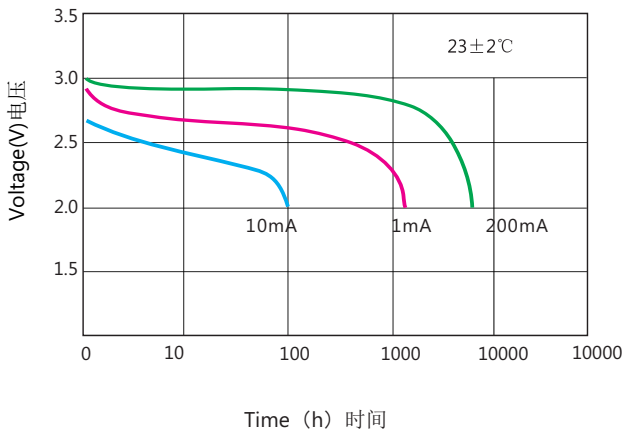
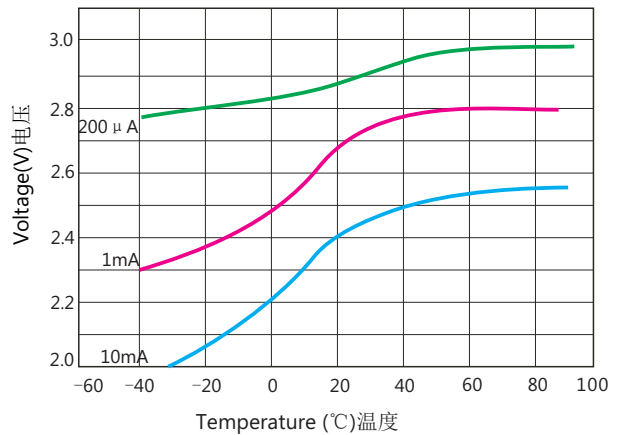
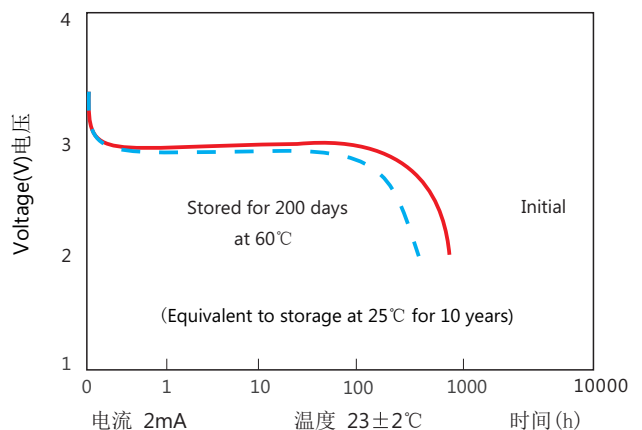
FORTE BATTERY

LITHIUM MANGANESE DIOXIDE BATTERY

锂二氧化锰电池 | 型号: CR17335SE

**Characteristics 性能数据**Nominal capacity(0.5mA-2.0v-25°C).....1800mAh  
标称容量Nominal voltage.....3.0v  
额定电压Max.constant current.....10mA  
最大连续工作电流Max.pulse current.....100mA  
最大脉冲电流Weight.....22.0g  
电池重量Volume.....17.0X33.5mm  
电池尺寸Workable temperature.....-40°C~+85°C  
工作温度

极端样式可按照客户要求定做

**Discharge characteristic 放电特性****Temperature Characteristics 温度特性****Storage characteristics 存储特性**

AKKUMULYATORNYE  
RESHENIYA