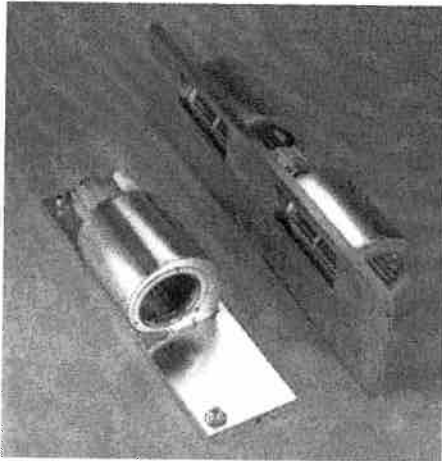




Direct driven fans for fan-coil units, fan-decks

FD Series



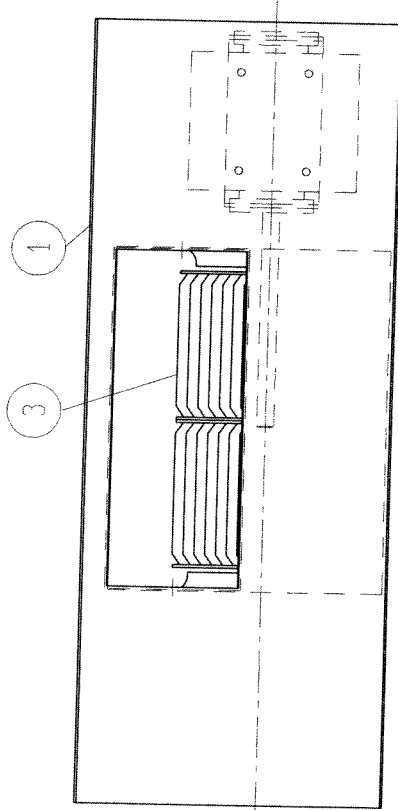
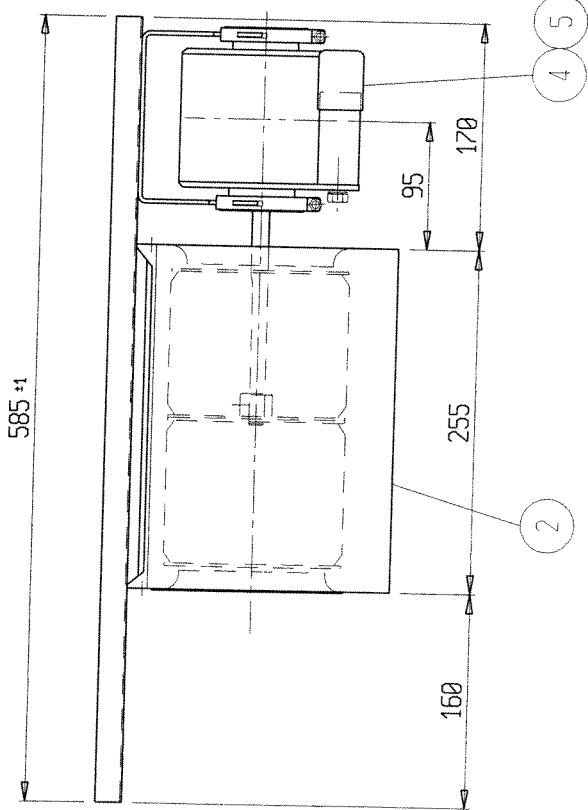
- Wheel sizes from 4" up to 9"
- Volume flow up to 10000 m³/h
- Pressure up to 750 Pa (static pressure)
- Motor power up to 2200 W
- Conventional, high slip motors, single phase, 230 V - 50 Hz

These fans have been specifically conceived for fan-coil units; they combine small size with high flow rate. The **FD** units are available in single wheel version (**FD1**), twin wheel version (**FD2**), triple version (**FD3**) and quadruple version (**FD4**). The motor is generally a small size, single phase, PSC type, suitable for use at 230 V – 50 Hz. Special versions are available on request.

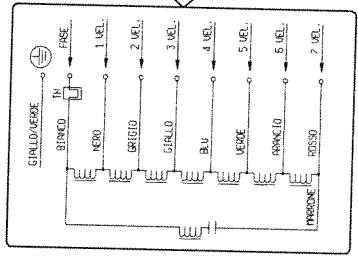
DEVELOPPEMENT OU POIDS
THEORIQUE
PRATIQUE

LA NICOTRA BENELUX S.A. SE RESERVE SOUS LA LOI LA PROPRIETE DU PRESENT PLAN
IL EST INTERDIT DE REPRODUIRE OU DE TRANSMETTRE SANS AUTORISATION

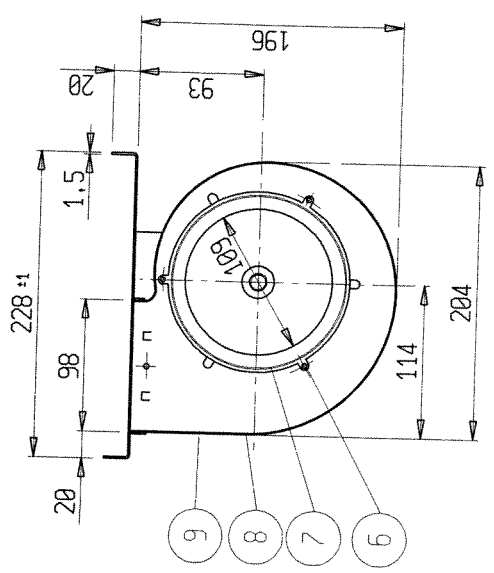
Indice Modification 01 02-12-93
C VGER COTE MOTEUR 190MM DEVIENT 170MM
OPPOSE AU MOTEUR 140 DEVIENT 160MM
CHANGER POSITION VOLUME PAR RAPPORT A L. HOB 32MM DEVIENT A L. HOB 20MM
20 MM CHANG N° 71478 02 20-05-98
AJOUTER ETIQUETTE DE CABLAGE SCH 47 CODE PB24090-MISE A JOUR DONNEES ETIQUETTE DU VENTILATEUR



SCHEMA DE CABLAGE
SCH.47 PB024090



CABLAGE EN 16 U
BLANC: 1
NOIR: 2
BLEU: 4
ROUGE: 5

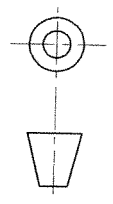


NB: EXTENSION NON FOURNIE

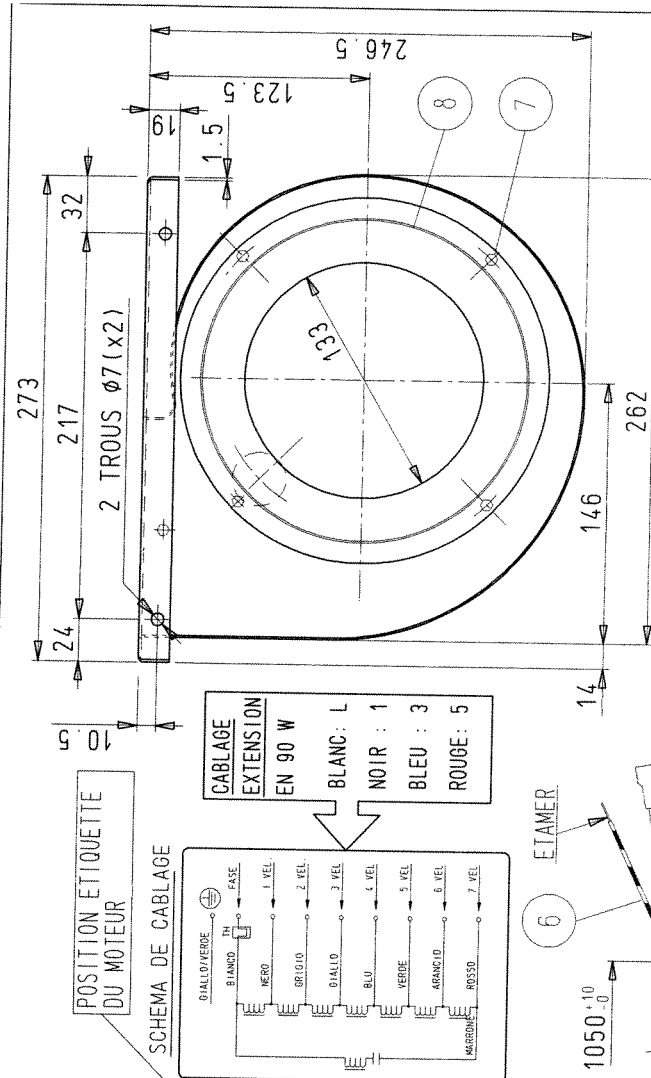
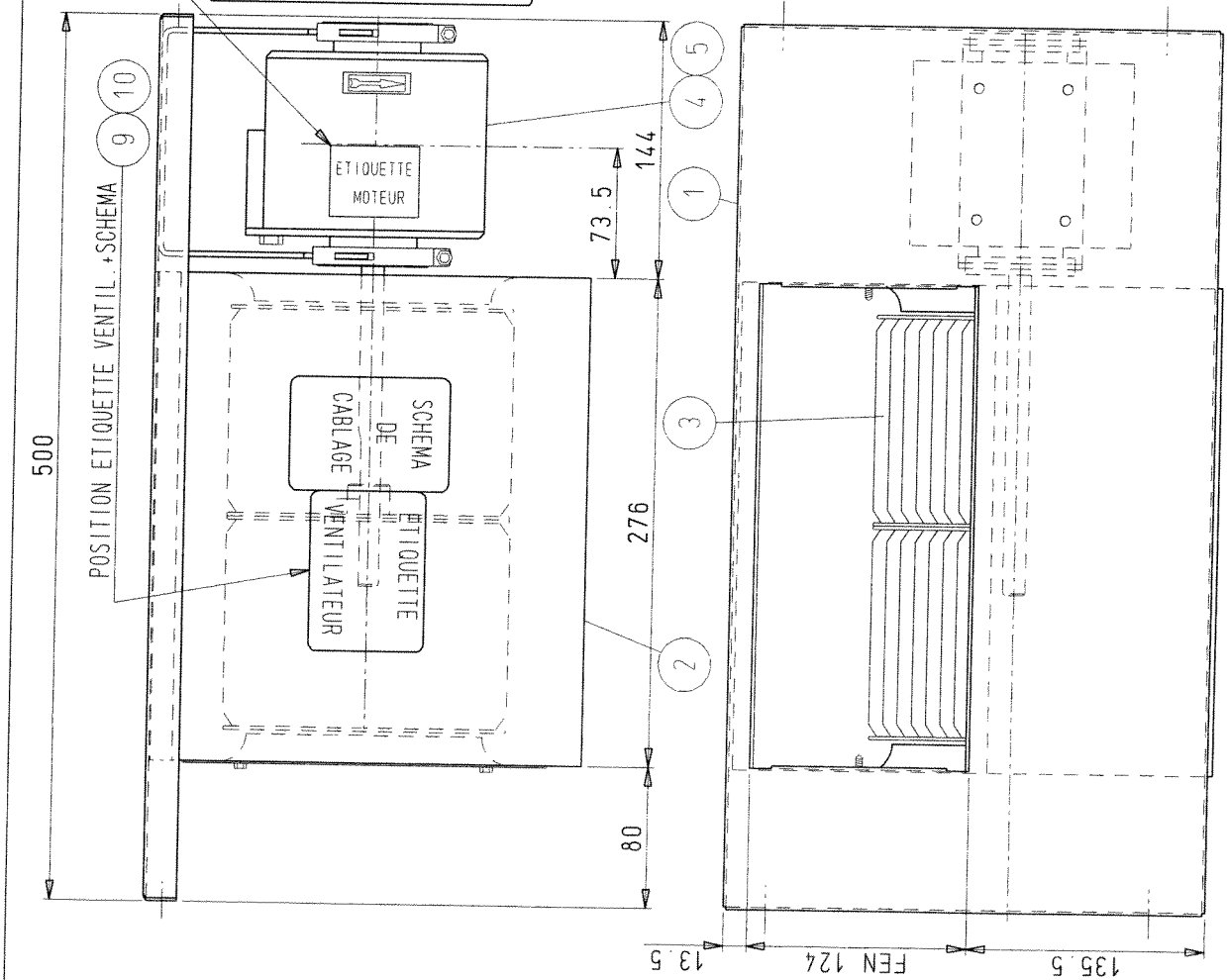
TYPE FD1 133/220 NC CODE 611941
U. 20 V. 220/240
Hz. 50/60 A.max. 0,33/0,37
RPM 1100 INS. B
UF 1.5 VL. 450 IP. 20

9	ETIQUETTE VENTILATEUR	1	PB23900	+ ETIQ. PB023901 QT. 1
8	ETIQUETTE DE RACCORDEMENT	1	PB24090	SCHEMA 47
7	INLET-RING 133	1	Y05130	OUVE VERSION NISPA
6	VIS AUTOTAR. 3,9x12,7	5	PB23072	
5	CAVALOTTI	2	S000901	COLLIER FTX. MOTEUR
4	MOTEUR	1	141120	
3	ARO 133-220 1/2 CCV	1	S009163	TURBINE ALU
2	HOA 133-220	1	709102	VOLUTE VERSION NISPA
1	PLATEAU F01 133-220 NC	1	763050	COMPLET HOB + 8RM VERS. NISPA

<p>NICOTRA BENELUX S.A. Nivelles - Belgium</p>	Descripteur	Controler	Tolerance Generale
	RAGUSA		I50_2768-U
	Date	Echelle	Material
	03/11/94	1:4	GALVA
<p>FD1 133-220 NC ENSEMBLE</p>		PLAN N.	611941 / 02
Version NISPA		Feuille	Feuilles
			Remplace le



LA NICOTRA BENEUX S A SE RESERVE SOUS LA LOI LA PROPRIETE DU PRESENT PLAN
 IL EST INTERDIT DE REPRODUIRE OU DE TRANSMETTRE SANS AUTORISATION
 THEORIQUE
 DEVELOPPEMENT OU POIDS



TYPE FD1 160/240 NB CODE 612928
 W 90 V 220/240
 Hz 50/60 A max 1 / 1
 RPM 1390 INS B
 UF 5 VI 450 IP 20

POS	DESCRIPTION	QUANT	CODES	NOTES
10	ETIQUETTE VENTILATEUR	1	PB023900 + ETIO PB023901 QT 1	
9	ETIQUETTE DE RACORDEMENT	1	PB024090 SCH 47	
8	INLET-RING 160	1	Y05147	OUIE
7	VIS AUTOTAR 3.9x12.7	6	PB023072	
6	EXTENSION	1	140100	OU ALTERNATIVE SB008912
5	MOTEUR	1	141116	
4	CAVALOTTI	2	SB000901	COLLIER FIX MOTEUR
3	AA0 160-240 CCW 1/2 ALU	1	SB009539A	TURBINE
2	HOA 160-240 CCW	1	SB000124	VOLOTE
1	HOB 160-240 NB	1	SB002206	PLATEAU + SUP MOTEUR

NICOTRA Nivelles - Belgium

Destinataire: **RAGUSA**
 Date: **06/06/94**
 Echelle: **1:3**

Contrôle: **Tolerance Generale**
 Material: **150.2768-m**

Titre / Sous-Titre: **FD1 160-240 NB**
ENSEMBLE

PLAN N. **612928 / 05**

Feuille / Feuilles: **1 / 3**
 Remplace le: **612928 / 05**

Indice Modification

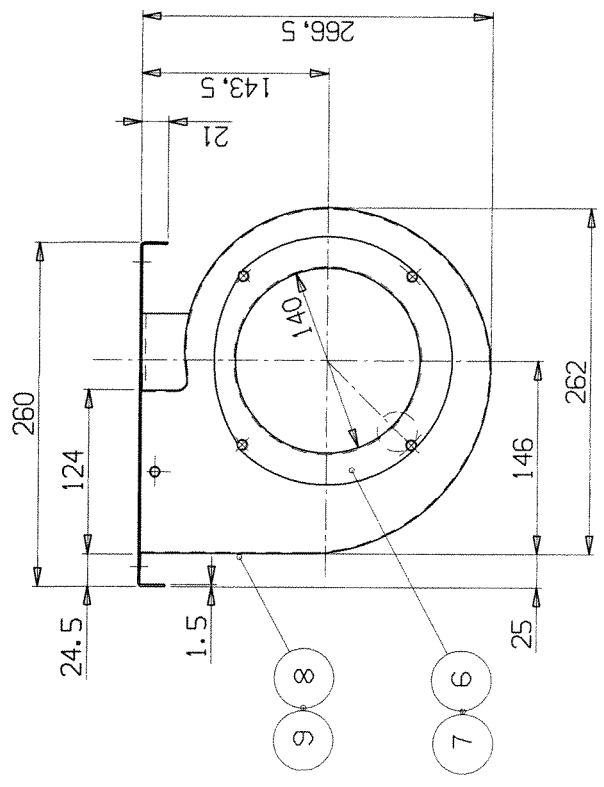
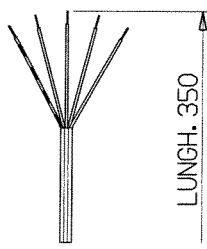
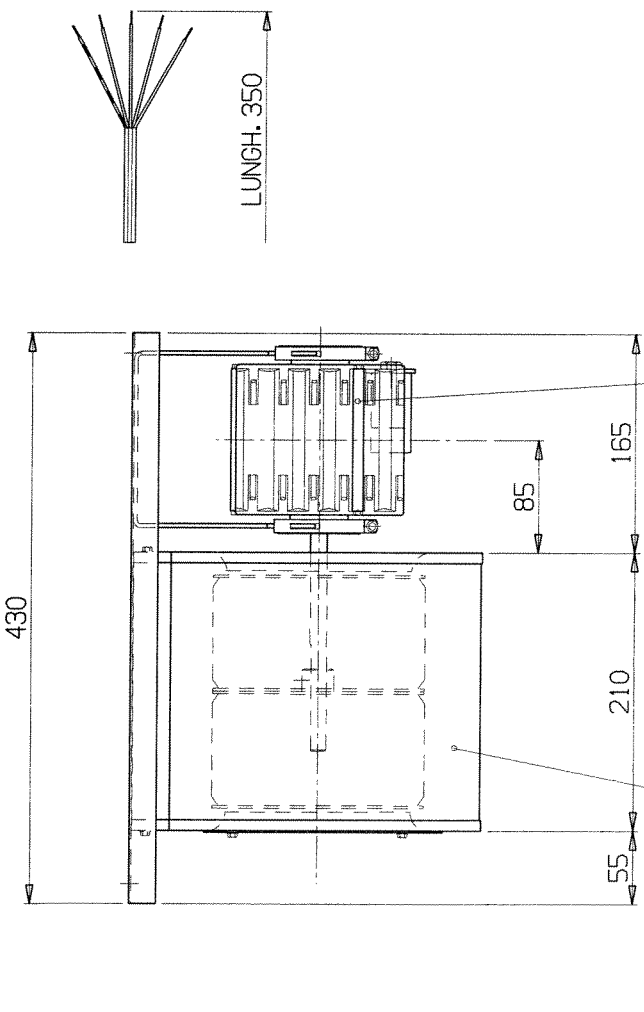
01	09/08/94	CHANGER LE SENS DES
02	03/07/95	CHANGER POSITION
03	10/07/96	AJOUTER 4 TROUS Ø7
04	05/05/98	AJOUTER SCHEMA DE
05	16/05/2001	MODIFIER LE PLATEAU
06	18/05/2001	SVT PLAN CLIENT LMF
07	18/05/2001	CHANGER CODE HOB
08	18/05/2001	SVT PLAN CLIENT LMF
09	18/05/2001	CHANGER CODE HOB
10	18/05/2001	SVT PLAN CLIENT LMF
11	18/05/2001	CHANGER CODE HOB
12	18/05/2001	SVT PLAN CLIENT LMF
13	18/05/2001	CHANGER CODE HOB
14	18/05/2001	SVT PLAN CLIENT LMF
15	18/05/2001	CHANGER CODE HOB
16	18/05/2001	SVT PLAN CLIENT LMF
17	18/05/2001	CHANGER CODE HOB
18	18/05/2001	SVT PLAN CLIENT LMF
19	18/05/2001	CHANGER CODE HOB
20	18/05/2001	SVT PLAN CLIENT LMF
21	18/05/2001	CHANGER CODE HOB
22	18/05/2001	SVT PLAN CLIENT LMF
23	18/05/2001	CHANGER CODE HOB
24	18/05/2001	SVT PLAN CLIENT LMF
25	18/05/2001	CHANGER CODE HOB
26	18/05/2001	SVT PLAN CLIENT LMF
27	18/05/2001	CHANGER CODE HOB
28	18/05/2001	SVT PLAN CLIENT LMF
29	18/05/2001	CHANGER CODE HOB
30	18/05/2001	SVT PLAN CLIENT LMF
31	18/05/2001	CHANGER CODE HOB
32	18/05/2001	SVT PLAN CLIENT LMF
33	18/05/2001	CHANGER CODE HOB
34	18/05/2001	SVT PLAN CLIENT LMF
35	18/05/2001	CHANGER CODE HOB
36	18/05/2001	SVT PLAN CLIENT LMF
37	18/05/2001	CHANGER CODE HOB
38	18/05/2001	SVT PLAN CLIENT LMF
39	18/05/2001	CHANGER CODE HOB
40	18/05/2001	SVT PLAN CLIENT LMF
41	18/05/2001	CHANGER CODE HOB
42	18/05/2001	SVT PLAN CLIENT LMF
43	18/05/2001	CHANGER CODE HOB
44	18/05/2001	SVT PLAN CLIENT LMF
45	18/05/2001	CHANGER CODE HOB
46	18/05/2001	SVT PLAN CLIENT LMF
47	18/05/2001	CHANGER CODE HOB
48	18/05/2001	SVT PLAN CLIENT LMF
49	18/05/2001	CHANGER CODE HOB
50	18/05/2001	SVT PLAN CLIENT LMF

CHANG N° 71578
 PAR VOLUTE H=245MM
 CHANGER VOLUTE H=265
 + SUPPRIMER TUBE Ø18
 A LA VOLUTE DOIVENT
 ETRE DU COTE VOLUTE
 PLUS ETAT OPPOSES
 CHANGER LE SENS DES
 ETIQUETTE VENTILAT
 ETIQUETTE VENTILAT
 CHANG N° 71712
 03 10/07/96
 AJOUTER 4 TROUS Ø7
 SVT DEMANDE N°311/96
 CHANG N° 71838
 04 05/05/98
 AJOUTER SCHEMA DE
 CABLAGE SCH 47 CODE
 P024090 MISE A JOUR
 DONNES ETIQUETTE DU
 VENTILATEUR
 CHANG N° 72003
 05 16/05/2001
 MODIFIER LE PLATEAU
 SVT PLAN CLIENT LMF
 CHANGER CODE HOB
 5800068 PAR SB002206
 CHANG N° 72232

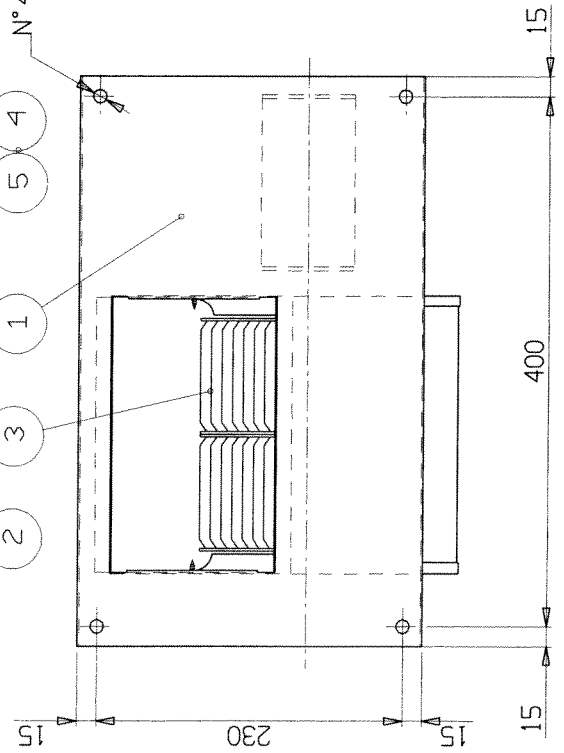
SVILUPPO A PESO

TEORICO
PRATICO

LA NICOTRA INDUSTRIALE SPA SI RISERVA I TERMINI DI LEGGE LA PROPRIETA' DEL PRESENTE DISEGNO
CON DIVIETO DI RIPRODURRE O DISTRIBUIRE SENZA SUA PREVIA AUTORIZZAZIONE



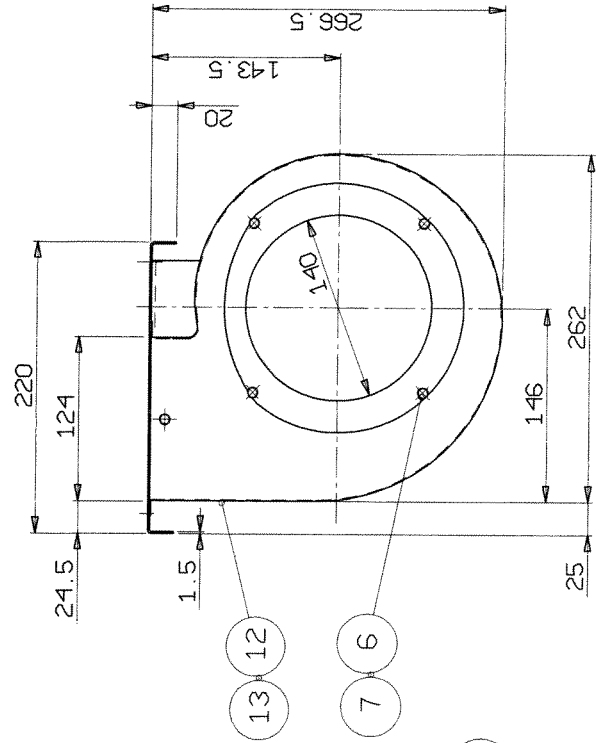
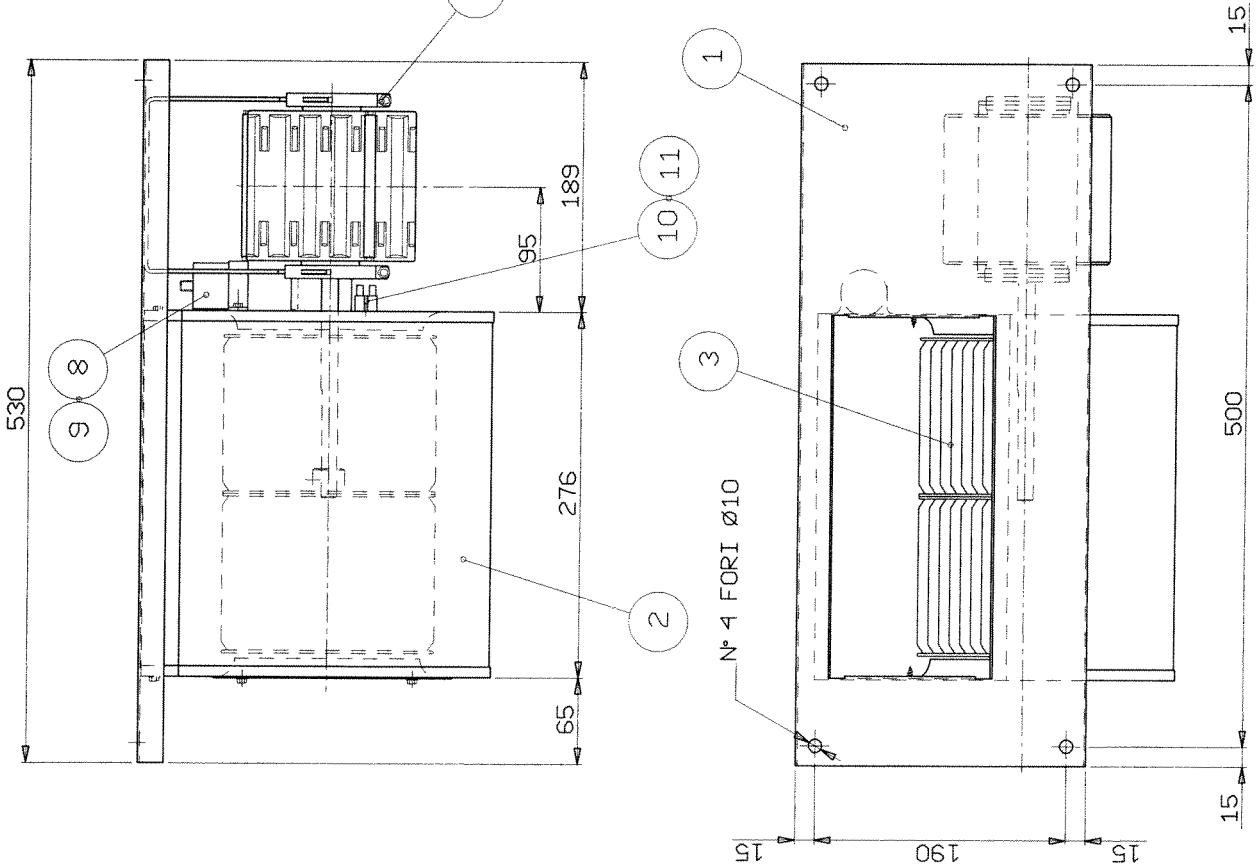
N° 4 FORI Ø10



POS	CODE	DESCRIPTION	Q.ty	UM	NOTE
12	104025	FILM ESTENSIB. AUTOC. 35 MICROM	1	kg	
11	170123	RIP. TRUCIOL. 1200 X 1000 X 12	5	pcs	
10	175002	PALLET 100 X 120	1	pcs	N° 48 VRI PER PALLET
9	985014	ETICHETTA AUTOADESIVA VRE	2	pcs	
8	985537	ETICHETTA AUTOADES. CONTROLLO	1	pcs	
7	PB023072	VITE T. E. AUTOF+RON 3. 9X12.7	6	pcs	
6	PB005996	BOCC 160 STD	1	pcs	
5	SB000901	COLLARE MOTORE COMPLETO	2	pcs	
4	141103	MRE 110049.03	1	pcs	
3	SB008415A	ZAL DA 160/176 LG 12,7	1	pcs	
2	SB000132	CCL FD 160 176	1	pcs	
1	SB001091	PST 160 176	1	pcs	

 NICOTRA SPA Stab. Zingonia - BG	CREATED BY G. LEONI	CONTROLLED BY GENERAL TOLERANCE UNI ISO 22768/v
	DATE 19/04/2004	MATERIAL SCALE 1:4
DESCRIPTION FD1 160/176 NC M103	CODE / REVISION 612510 / 04	REVISION 01
No. 18 A3	MODEL 1	PAGES 2
		REPLACE 612510/03

16/12/1992
 11/03/1998
 19/03/2002
 19/04/2004
 VEDERE DISEGNO IN SPA.
 AGGIORNATO SCHEMA DI COLLEGAMENTO PROZ4053. AGGIORNATO ETICHETTA DATI VRE. MODIF. N° 72019
 MODIFICATO DATI ELETTRICI DA 220/240 V A 230 V. VEDERE MAIL RES. MODIF. N° 72261
 RITENESSO DISEGNO DEL 11/03/1998. AGGIUNTO IMBALLO E AGGIORNATO DISTINTA BASE. G. LEONI



POS	CODE	DESCRIPTION	Q.ty	UM	NOTE
16	104025	FILM ESTENSIB. AUTOC. 35 MICROM	1	kg	
15	170131	RIP. TRUCIOL. 1200 X 1200 X 12	6		
14	175975	PALLET 1200 X 1200	1		N° 48 VRI PER PALLET
13	985014	ETICHETTA AUTOADESIVA VRE	2	pcs	
12	985537	ETICHETTA AUTOADES. CONTROLLO	1	pcs	
11	914105	VITE AUTOF. 2.9X25	2	pcs	
10	144038	MORS. VITE 5 POSIZ. TIPO PA27WP	0	pcs	
9	PB020184	COND+CAP 8MF V500 +VITE	1	pcs	
8	840158	FASC. FISS. COND. TONDO 45	1	pcs	
7	PB023072	VITE T. E. AUTOF+RON 3.9X12.7	8	pcs	
6	PB005996	B0CC 160 STD	1	pcs	
5	SB000901	COLLARE MOTORE COMPLETO	2	pcs	
4	141130	MRE M00663-110356.02	1	pcs	
3	SB009539A	ZAL DA 160/240 LG 12,7	1	pcs	
2	SB000136	CCL FD 160 240	1	pcs	
1	SB002094	PST 185 240	1	pcs	

NICOTRA
NICOTRA SPA
Stab. Zingonia - BG

CREATED BY: G. LEONI
DATE: 01/04/2004

CONTROLLED BY: GENERAL TOLERANCE: UNI ISO 22768/v
SCALE: 1:4
MATERIAL:

DESCRIPTION: FD1 160/240 NC M130

CODE / REVISION: 612938 / 03

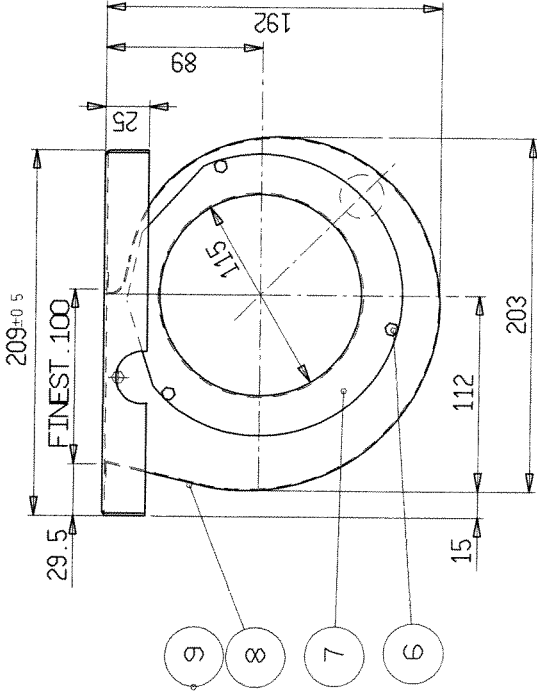
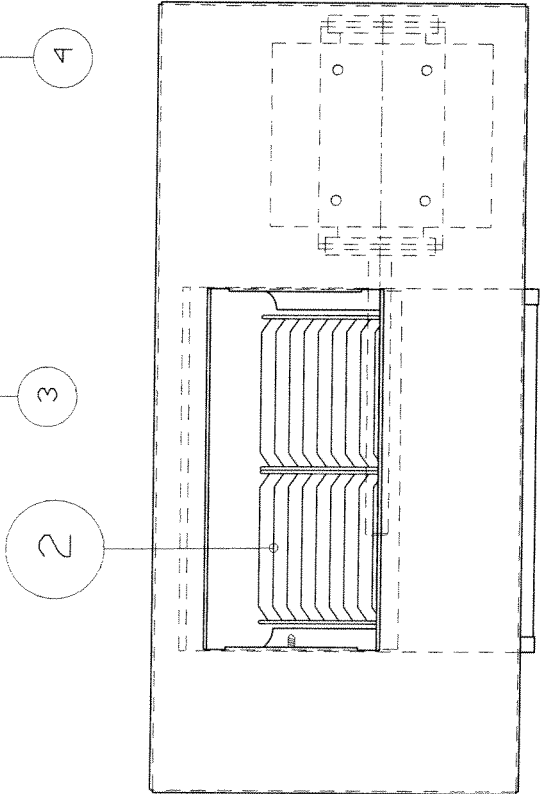
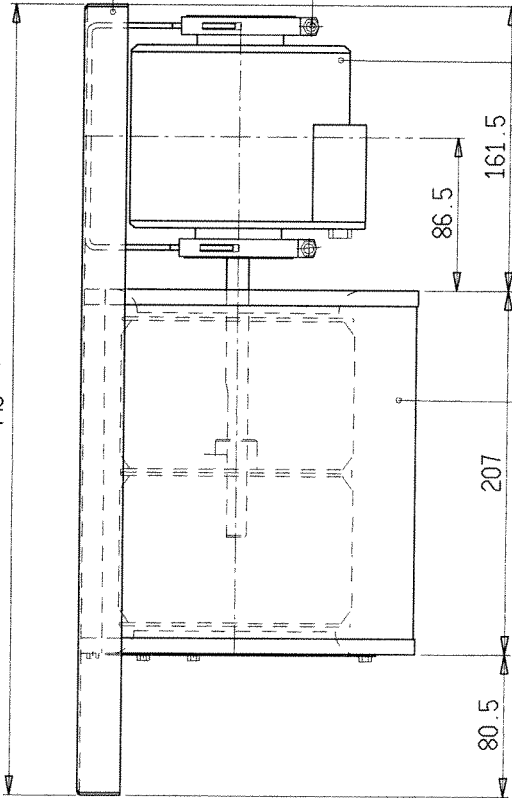
PAGE: 1 / 2
PAGES: 1
REPLACE: 612938/02

Model: A3

01 09/08/2000
02 19/03/2002
03 07/04/2004
04
05
06
07
08
09

MODIFICATO PER TBS IN FRT 160/240 CON MRE 141130, CONDENSATORE 8 MF E MORSETTERIA SULLA COCCIA. MODIF. N° 72199
MODIFICATO DATI ETICHETTA DA 220/240 V A 230 V. MODIF. N° 72281
RIESENSO DISEGNO DEL 28/08/2000. AGGIUNTO IMBULLO E AGGIORNATO DISTINTA BASE. G. LEONI

449±0.5



NB: CAVETTO NON FORNITO

POS	CODE	DESCRIPTION	Q.ty	UM	NOTE
13	170111	ANGOLARE CARTONE 1800X60X60X3	4	pcs	
12	104025	FILM ESTENSIB AUTOC 35 MICR0M	1	kg	
11	170123	RIP. TRUCIOL. 1200 X 1000 X 12	8	pcs	APPOG. UN RIPIANO SUL PALLET
10	175002	PALLET 100 X 120	1	pcs	ACCATASTARE N° 80 VRE
9	985537	ETICHETTA AUTOADES. CONTROLLO	1	pcs	
8	985014	ETICHETTA AUTOADESIVA VRE	2	pcs	
7	P8002055	B0CC 133 STD	1	pcs	
6	P8023072	VITE T. E. AUTOF.+RON 3.9X12.7	4	pcs	
5	S8000901	COLLARE MOTORE COMPLETO	2	pcs	
4	141120	MRE M01050	1	pcs	
3	S8000128	CCL FD 133 176	1	pcs	
2	S8009157A	ZAL DA 133/176 LG 12,7 IMB	1	pcs	
1	S8001396	H0B FD1 133/176 NB	1	pcs	

NICOTRA SPA
Stab. Zingonia - BG

CREATED BY: P. Garovelli
DATE: 05/03/2004

CONTROLLED BY: UNI ISO 22768/v
SCALE: 1:3
MATERIAL: UNI EN 10142 DYS104Z200-H-A-C-0

DESCRIPTION: FD1 133/176 NB M120
FAN FD1 133/176 NB M120

CODE / REVISION: 611914 / 05

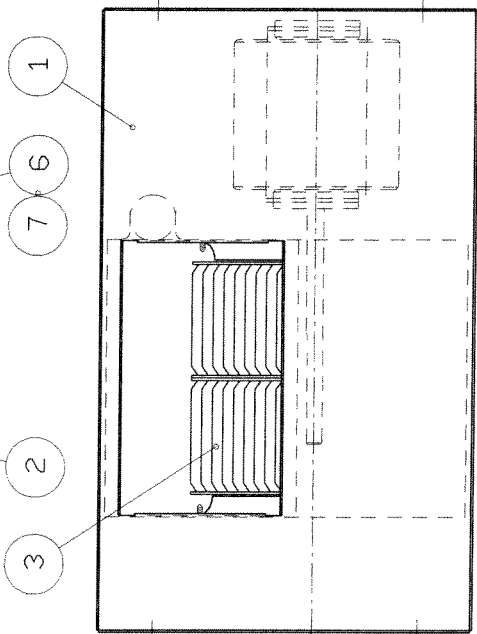
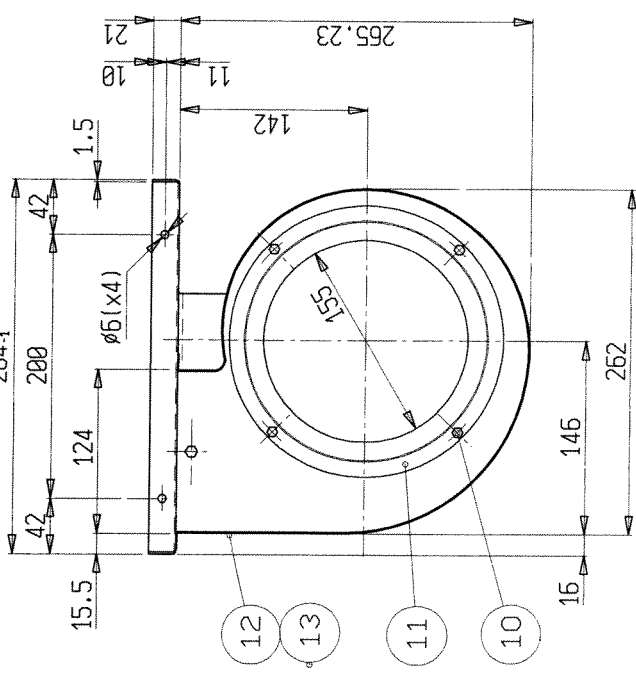
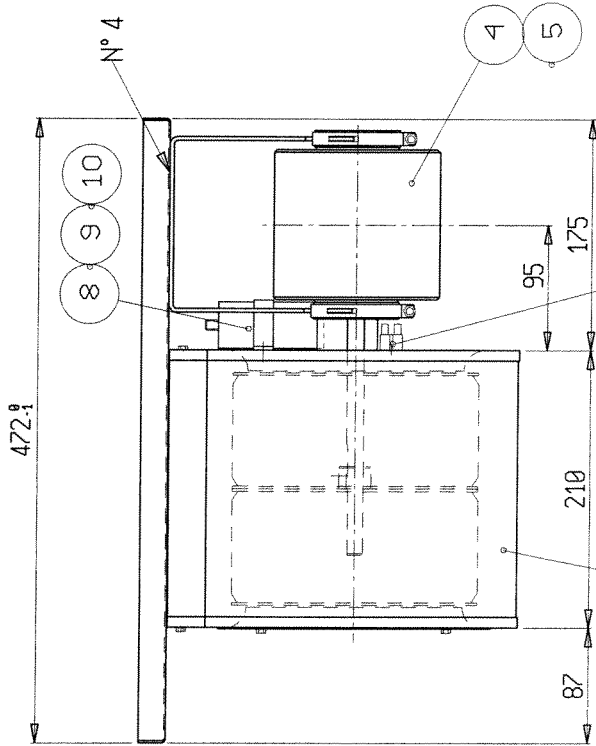
PAGE: 1
PAGES: 2
REPLACE: 611914/04

SVILUPPO O PESO

TEORICA
PRATICA

LA NICOTRA INDUSTRIALE SPA SI RISERVA A TERMINI DI LEGGE LA PROPRIETA' DEL PRESENTE DISEGNO
CON DIVIETO DI RIPRODURRE O DIVULGARLO SENZA SUA PREVIA AUTORIZZAZIONE

N° 4 PUNTI DI SALDATURA



POS	CODE	DESCRIPTION	Q.ty	UM	NOTE
14	175002	PALLET 100 X 120	1	pcs	RIPORRE N° 40 VENTILATORI
13	985537	ETICHETTA AUTOADES. CONTROLLO	1	pcs	
12	985014	ETICHETTA AUTOADESIVA VRE	2	pcs	
11	805157	BCC 185 FD-DD-SAE	1	pcs	
10	P8023072	VITE T. E. AUTOF+RON 3.9X12.7	8	pcs	
9	840158	FASC. FISS. COND. TONDO ø 45	1	pcs	
8	143075	COND+CAP 10 MF V450	1	pcs	
7	914105	VITE AUTOF. 2.9X25	2	pcs	
6	144037	MORS. VITE 3 POSIZ. TIPO PA27WP	1	pcs	
5	S8000901	COLLARE MOTORE COMPLETO	2	pcs	
4	141108	MRE M01042-3560.01	1	pcs	
3	S8009906A	ZFE DA 185/176 LG ø 12,7	1	pcs	
2	S8000134	CCL FD 185 176	1	pcs	
1	S8001086	PST 186 176	1	pcs	

NICOTRA SPA Stab. Zingonia - BG		CREATED BY R. MAGONI	CONTROLLED BY GENERAL TOLERANCE UNI ISO 22768/v
DESCRIPTION FD1 185/176 NB M108		DATE 27/02/2004	SCALE 1:4
MATERIAL UNI EN 10142 DXS1012200-N-A-C-0		CODE / REVISION 612702 / 03	

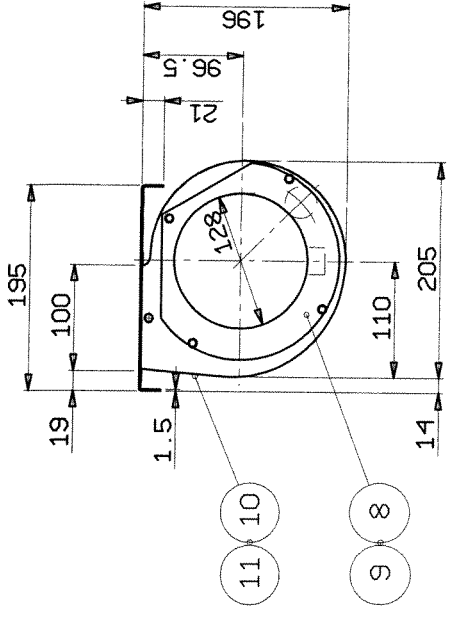
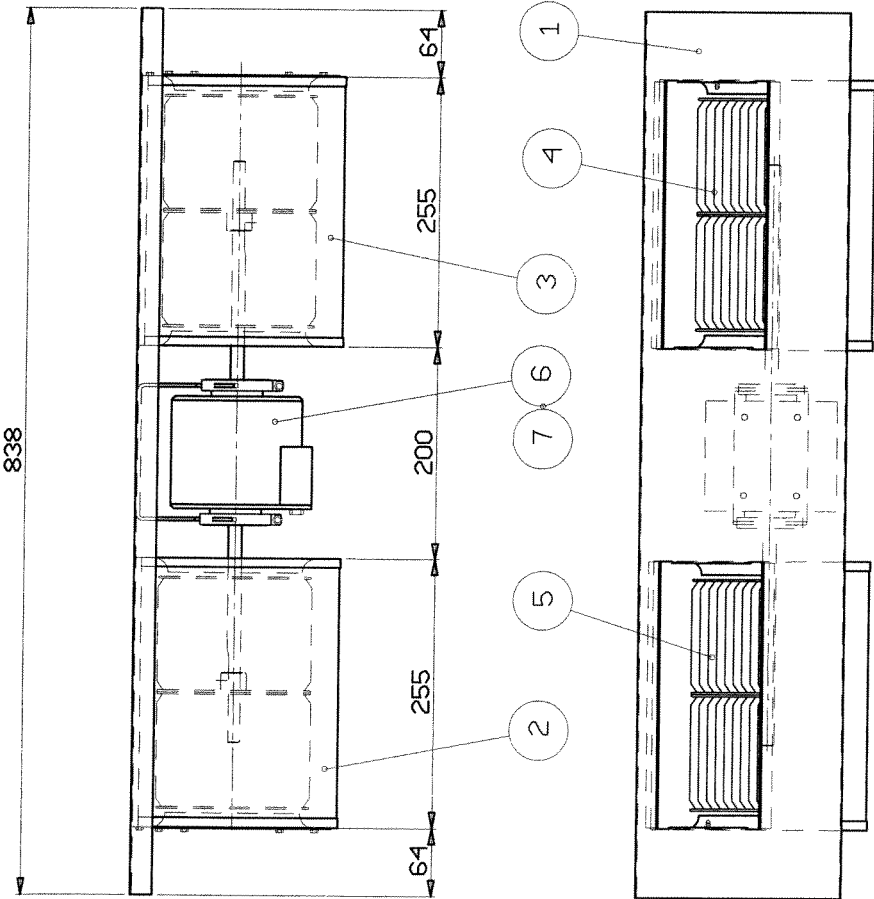
18	104025	FILM ESTENSIB. AUTOC. 35 MICROM	1	kg
17	170111	ANGOLARE CARTONE 1800X60X60X3	4	pcs
16	170107	NIDOPAN IN CARTONE ALVEOL. 80X9XH5	40	
15	170123	RIP. TRUCIOL. 1200 X 1000 X 12	5	pcs

SPEZZARE IN 2 META'	
UN RIPIANO ANCHE SUL PALLET	

AGGIUNTO IMBALLO IN PALLET E MESSO DISTINTA IN ITALIANO R.MAGONI	
--	--

01	27/02/2004		
02			
03			
04			
05			
06			
07			
08			
09			

PAGE	1	PAGES	1	REPLACE	612702/02
------	---	-------	---	---------	-----------

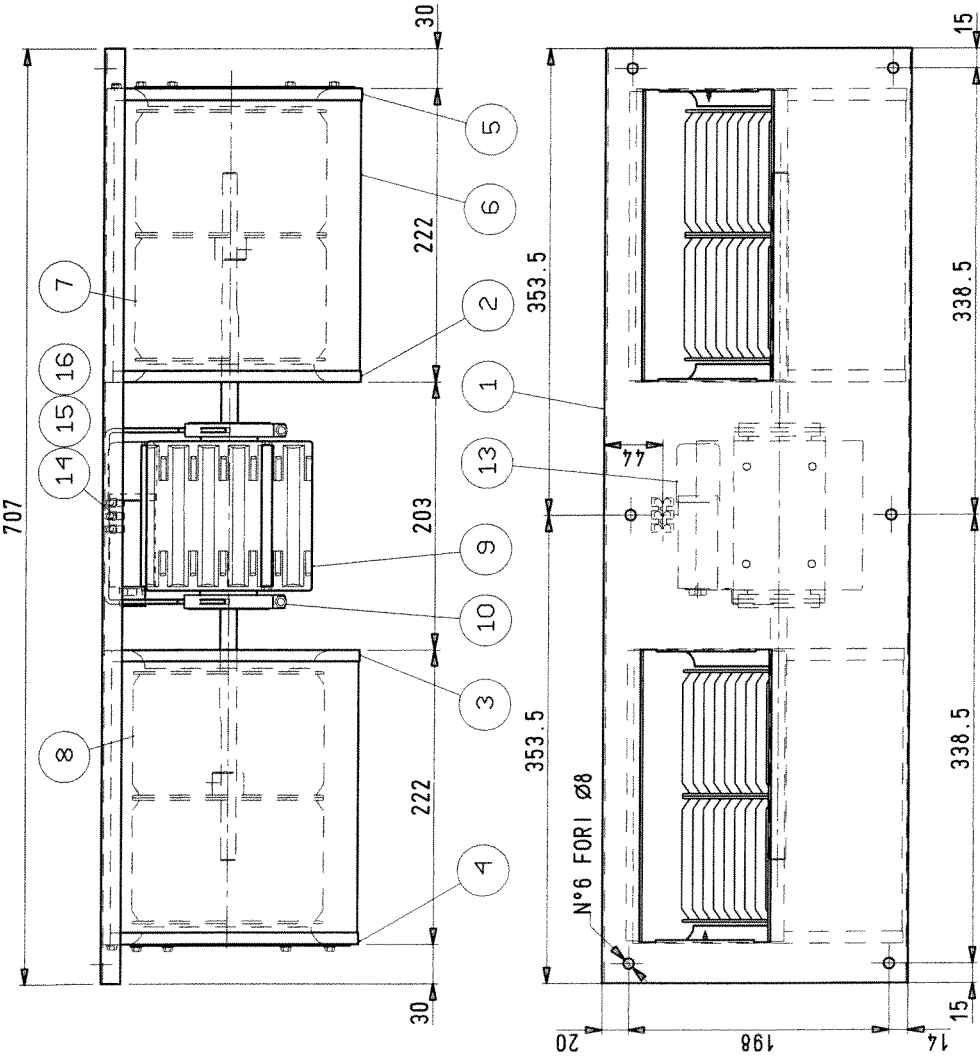


POS	CODE	DESCRIPTION	Q.ty	UM	NOTE
14	104025	FILM ESTENSIB AUTOC. 35 MICROM	1	kg	
13	170123	RIP. TRUCIOL. 1200 X 1000 X 12	7	pcs	
12	175002	PALLET 100 X 120	1	pcs	N° 40 VRI PER PALLET
11	985014	ETICHETTA AUTOADESIVA VRE	2	pcs	
10	985537	ETICHETTA AUTOADES. CONTROLLO	1	pcs	
9	P8023072	VITE T.E. AUTOF+RON 3.9X12.7	10	pcs	
8	P8002036	B0CC 146	2	pcs	
7	S8000901	COLLARE MOTORE COMPLETO	2	pcs	
6	141356	MRE M01055	1	pcs	
5	S8009161A	ZAL DA 146/220 LG 12,7	1	pcs	
4	S8009160A	ZAL DA 146/220 RD 12,7	1	pcs	
3	S8000111	CCL FD 146 220	1	pcs	
2	S8000110	CCL FD 146 220	1	pcs	
1	S8001027	PST 146 220	1	pcs	

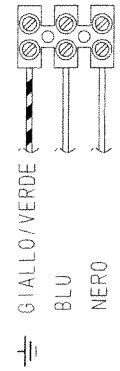
NICOTRA SPA Stab. Zingonia - BG		CREATED BY G. LEONI	CONTROLLED BY GENERAL TOLERANCE UNI ISO 22769/v
DESCRIPTION FD2 146/220 NC M356		DATE 21/04/2004	SCALE 1:5
MATERIAL CODE / REVISION 614938 / 02		PAGE 1	PAGES 2
MODEL A3		REPLACE 614938/01	

01 10/06/1988
 02 01/07/1988
 03 21/04/2004
 04
 05
 06
 07
 08
 09

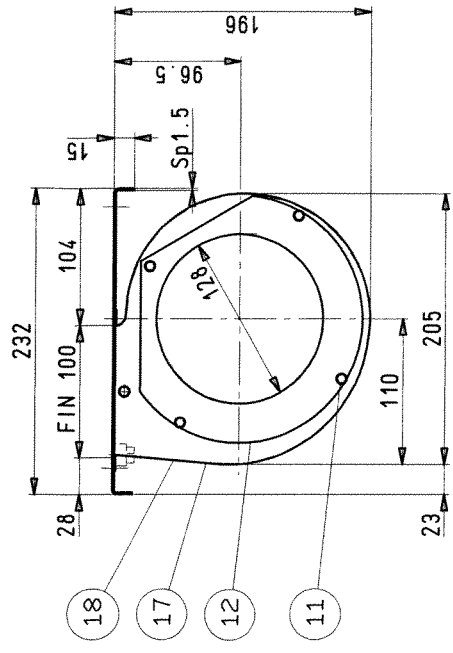
ASSEMBIO ETICHETTATRICE (SER 47) C80. PROZORNO, AGGIORNATO ETICHETTATRICE.
 RINCESSO DISEGNO DEL 25/10/1984, AGGIORNATO TRUCCO, AGGIORNATO D'ISTINTA BASE. G. LEONI



COLLEGAMENTO MOTORE
MORSETTIERA



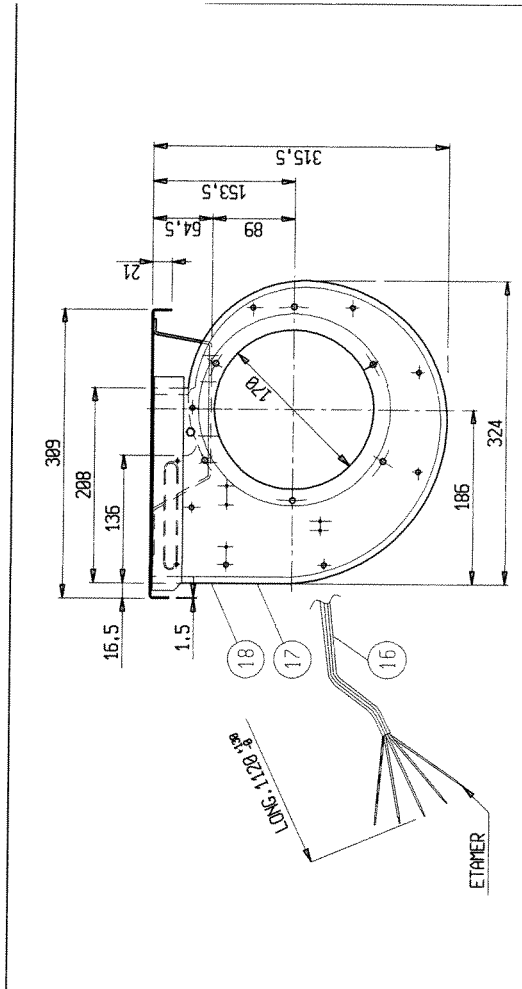
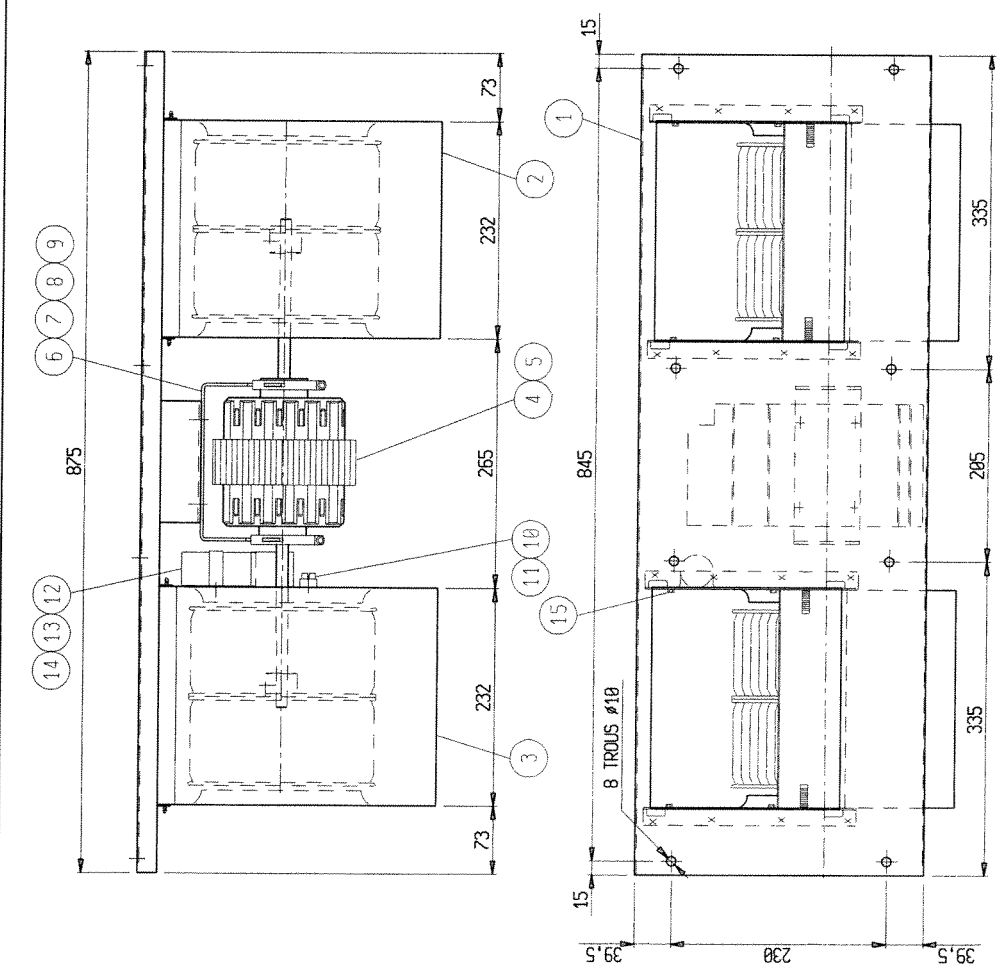
01 03/11/2003 AGGIUNGERE 2 FORTI #8 + CAMBIARE POSIZIONE FINESTRA 28mm ERA 42mm CHANG. N° 72292
 02 06/02/2004 MODIFICARE INTERASSE FORI 198 E 14 ERA 192 E 20 + ELIMINARE GRUPPO CAVETTO
 03
 04
 05
 06
 07
 08
 09



POS	CODE	DESCRIPTION	Q.ty	UM	NOTE
21	104025	FILM ESTENSIB. AUTOC. 35 MICRON	0	kg	AVVOLGERE IMBALLO
20	170124	RIP. TRUCIOL. 800 X 1200 X 12	7	pcs	UN RIPIANO APPOG. SUL PALLET
19	175000	PALLET 800 X 1200	1	pcs	ACCATASTARE 35 VRE
18	985014	ETICHETTA AUTOADESIVA VRE	1	pcs	
17	985537	ETICHETTA AUTOADES. CONTROLLO	1	pcs	
16	985094	ETICHETTA PRESENZA TENSTONE	1	pcs	
15	914105	VITE AUTOF. 2.9x25	2	pcs	
14	PB022028	MORS 12 POLI	0.25	pcs	3 POS.
13	143028	COND+CAP 6,3 MF V450+VITE	1	pcs	
12	PB002036	B OCC 146	2	pcs	
11	PB023072	VITE T.E. AUTOF.+RON 3.9X12.7	10	pcs	
10	SB000901	COLLARE MOTORE COMPLETO	2	pcs	
9	141332	MRE M01349-110506.00	1	pcs	
8	SB009155A	ZAL DA 146/190 LG 12,7	1	pcs	
7	SB009165A	ZAL DA 146/190 RD 12,7	1	pcs	
6	PB002967	DORSO 146 190	2	pcs	
5	PB002195	FCT 146	1	pcs	
4	PB002194	FCT 146	1	pcs	
3	PB002193	FCT 146	1	pcs	
2	PB002192	FCT 146	1	pcs	
1	SB002446	PST FD2 146 190 NC	1	pcs	
GENERAL TOLERANCE			UNI ISO 22768/v		
CONTROLLED BY			M. RAGUSA		
SCALE			1:4		
MATERIAL			UNI EN 10142 DX51DP/200-H-A-0		
DATE			21/10/2003		
CREATED BY			M. RAGUSA		
DESCRIPTION			FD2 146/190 NC M332		
NICOTRA SPA			Stab. Zingonia - BG		
REVISION			614327 / 02		
PAPER			A3		
MODEL					
PAGE			614327 / 01		
REPLACE					

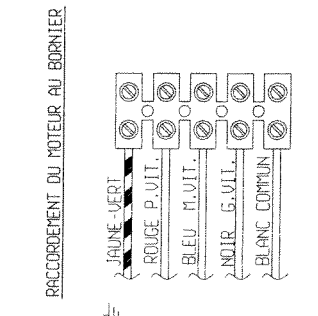
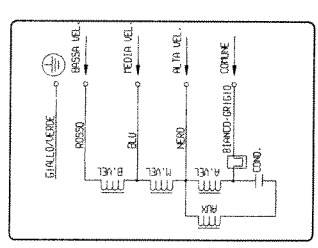
SVILUPPO O PESO
TEORICO
PRATICO

A NICOTRA INDUSTRIALE SPA SI RITRARRA A TERMINI DI LEGGE LA PROPRIETA' DEL PRESENTE DISEGNO
 CON DIVIETO DI RIPRODURRE O DISTRIBUIRE SENZA SUA PREVIA AUTORIZZAZIONE



TYPE FD2 200/190
 U. 420
 Hz. 50
 RPM 1200
 Uf 12,5 V.I. 450

CODE 614018
 U. 230
 A.max. 3,9
 INS. B
 IP. 20



POS.	DESCRIPTION	QUANT.	CODES	NOTES
18	ETIQUETTE VENTILATEUR	1	PB23980	* ETIQ. PB023981 QT.1
17	ETIQUETTE DE MONTAGE	1	PB24053	REF:985014 SCH.02
16	EXTENSION	1	140140	OU ALTERNATIVE PB003934
15	VIS FIXATION VOLUTE	8	PB20897	
14	SUPPORT CONDENSATEUR	1	B08158	* VIS FIX. PB023072 QT.2
13	CAPIUCHON CONDENSATEUR DIAM.35	1	PB20191	
12	CONDENSATEUR 12,5 UF	1	143076	
11	VIS POUR BORNIER	2	PB23959	
10	BORNIER	1	PB22028	5 ELEMENTS
9	R6 X 28	4	PB21543	
8	RODILLE ROOVER dia 177 b	4	PB20970	
7	RODILLE 12X7	4	PB20944	
6	SUPPORT MOTEUR	1	PB03714	A VISSER
5	CAVALOTI	2	S800901	COLLIER FIX. MOTEUR
4	MOTEUR	1	141379	420 U. 4 P. 3 VIT.
3	MOR 200-190 (VOLUTE)	1	S800114	AVEC TURB.200-190 CCU 172 GAL
2	MOR 200-190 (VOLUTE)	1	S800115	AVEC TURB.200-190 CCU 172 GAL
1	PLATEAU FD2 200-190 NC	1	S801018	COMPLET MOR+SUM+MUC

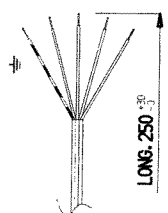
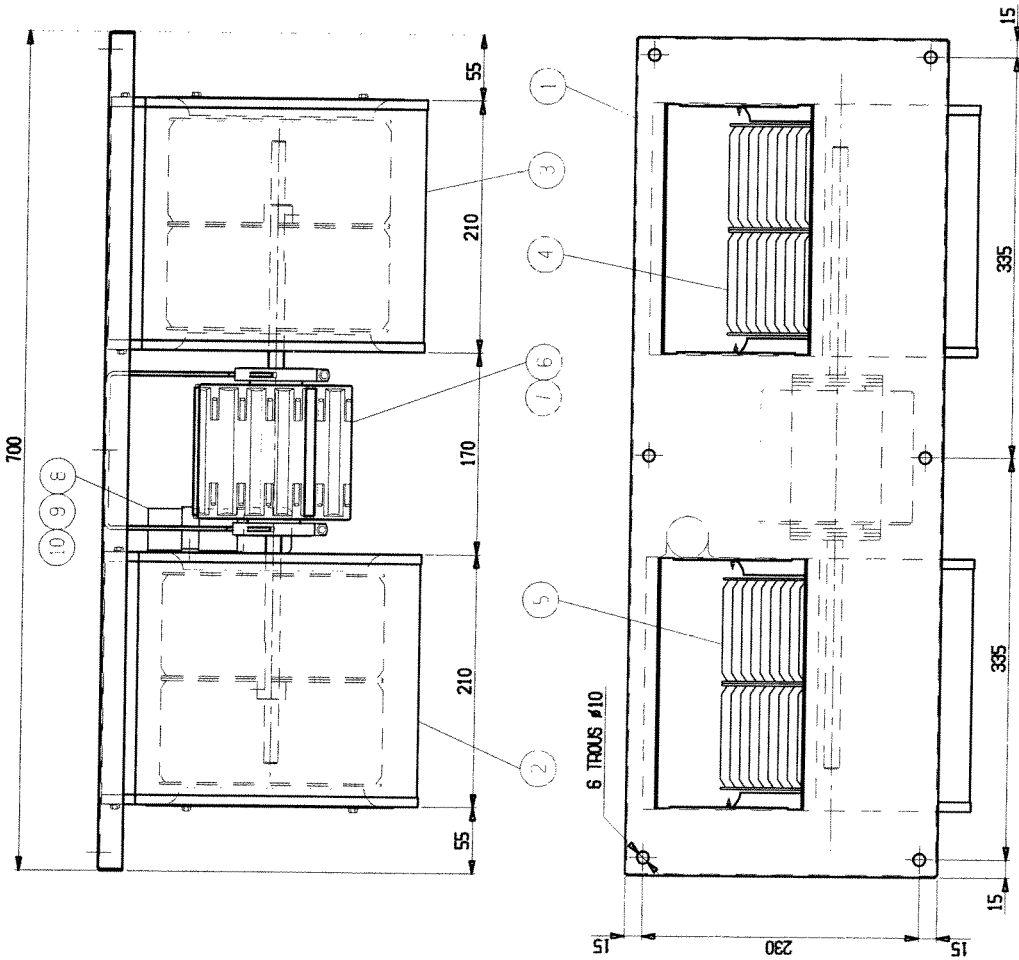
NICOTRA BEVELUT S.A.
 Nicotras - Belgium

Dessiné par: **RACUSA**
 No: 23/02/98

Échelle: 1:4

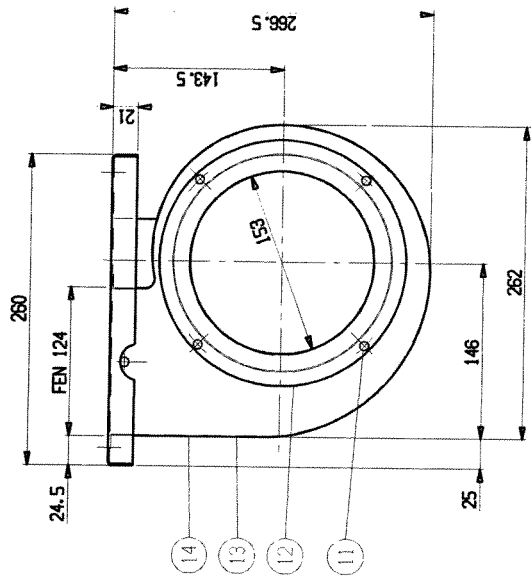
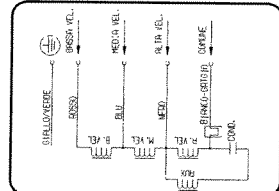
Version: 150 2768-U

PLAN N°: **614018 / 03**



SORTIE CÂBLE MOTEUR

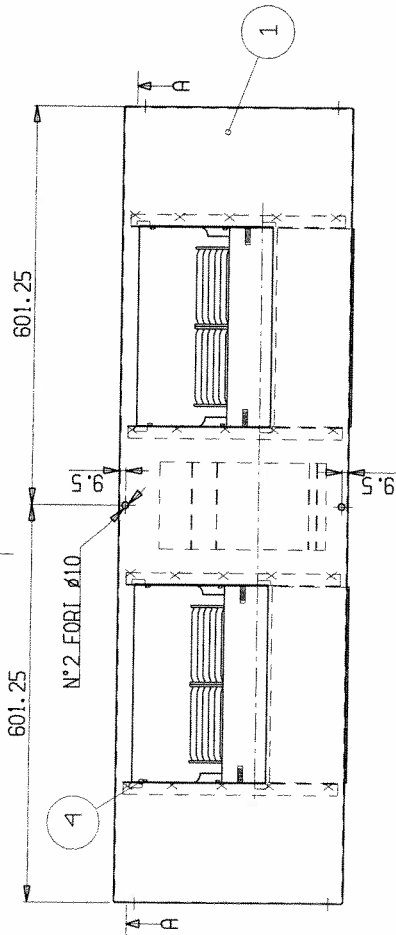
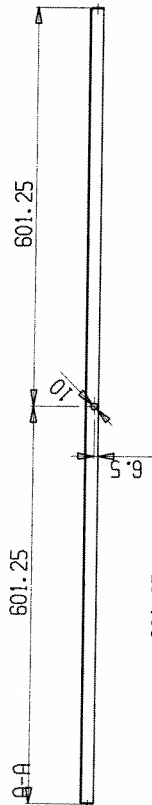
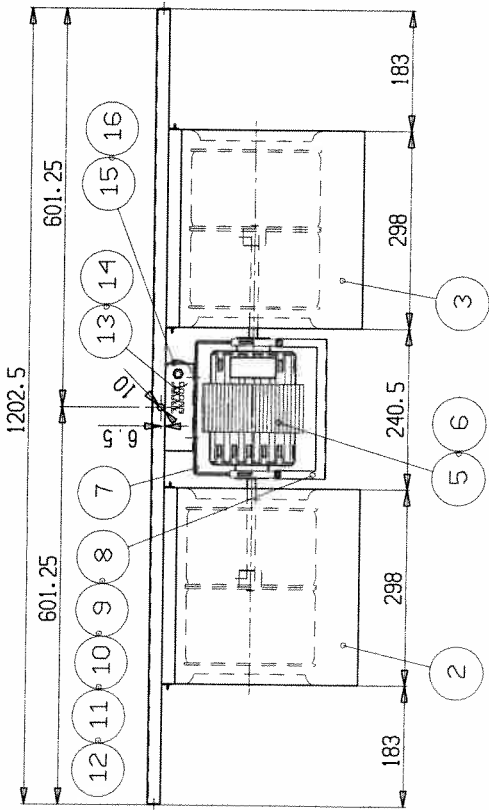
SCHEMA DE CABLAGE
 SCH.02 PB024053



TYPE FD2 185/176 NB CODE G14704
 V. 230
 H. 50
 R. max. 2.1
 APP. 1380
 INS. B
 uF 6.3 V. 45C
 IP. 20

QNT.	DESIGNATION	REF.	REMARQUE
1	ETIQUETTE VENTILATEUR	PB023900	+ E.T.O. PB023901 Q1...
1	ETIQUETTE DE RACCORDEMENT	PB024053	SCHEMA 02
2	INLET-RING 185	805157	OUIES 185
14	VIS AUTOMAT. 3,9x12,7	PB023072	
1	SUPPORT CONDENSATEUR	840158	
1	CONDENSATEUR 6.3 uF	PB020191	
2	CAPACITEUR	PB022740	COLLIER F.P. MOTEUR
1	MOTEUR 4 P. 3 VIT.	141358	
1	BOBINE 185-176 CCN 1/2 3AL.	S8005807	TURBINE GAL. "30"
1	BOBINE 185-176 CCN 1/2 3AL.	S8005806	TURBINE GAL. "30"
1	BOBINE 185-176	S8000135	VOILURE
1	BOBINE 185-176	S8000134	VOILURE
1	BOBINE 185-176 NB	S8001386	PLATEAU + SUP. MOTEUR

REF.	DESCRIPTION	REF.	REMARQUE
NICOTRA	NICOTRA BENELUX S.A. Nive les - Belgium	ISO 2768-m	07/05/96
614704	614704	1.3	08/17/96
F02 185-176 NB	F02 185-176 NB		
ENSEMBLE	ENSEMBLE		



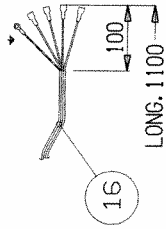
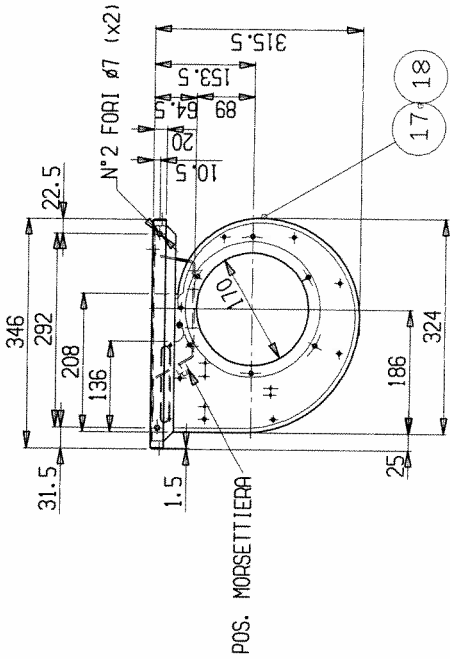
21	104025	FILM ESTENSIB. AUTOC. 35 MICROM	1	kg
20	170124	RIP. TRUCIOL. 800 X 1200 X 12	1	pcs
19	175000	PALLET 80 X 120	1	pcs
18	985537	ETICHETTA AUTOADES. CONTROLLO	1	pcs
17	985014	ETICHETTA AUTOADESIVA VRE	1	pcs
16	S8000067	CAVETTO 5L L1100	2	pcs

01
02
03
04
05
06
07
08
09

LA NICOTRA INDUSTRIALE SPA SI RISERVA I TERMINI DI LEGGE LA PROPRIETÀ DEL PROGETTO PRESENTE DISEGNO CON DISEGNO DI RIPRODUZIONE O DI PUBBLICAZIONE SENZA SUA PREVOIA AUTORIZZAZIONE

TEORICO
PRACTICO

SVILUPPO O PESO

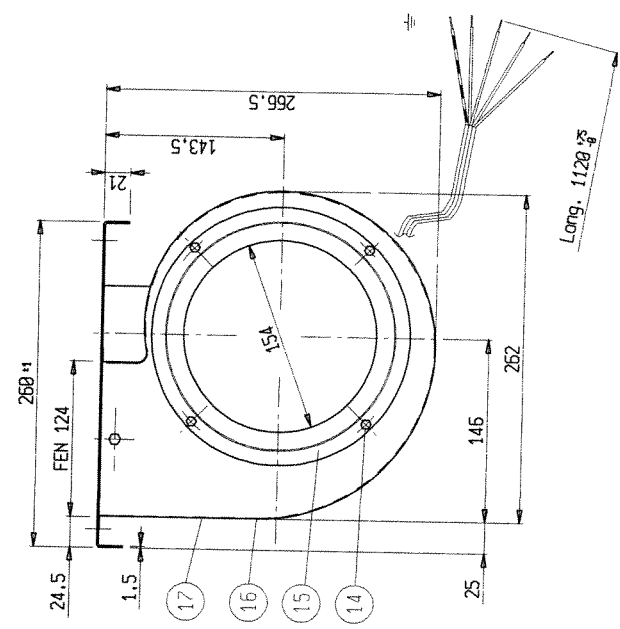
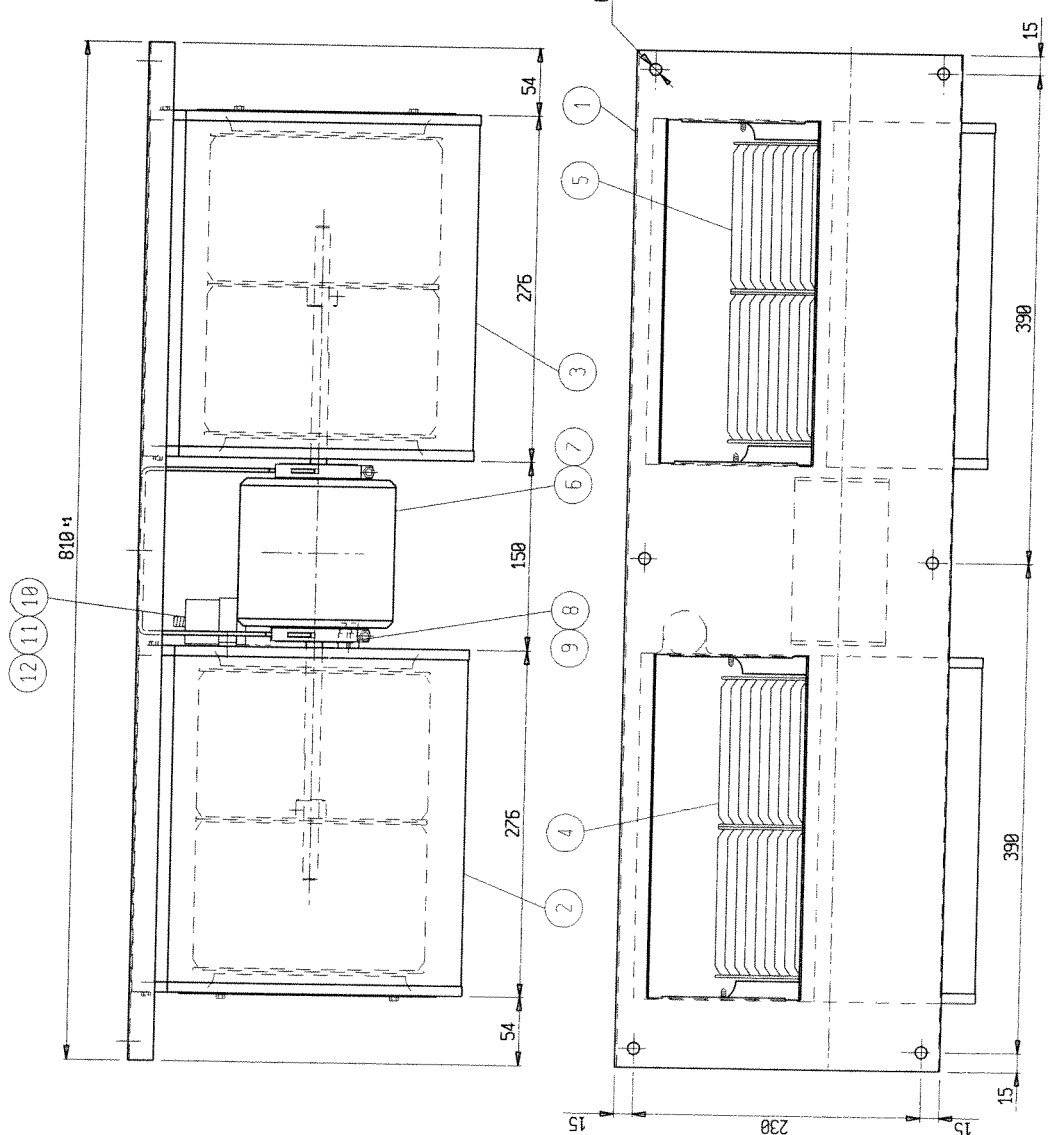


15	PB022415	COND+CAP 16MF V500 +VITE	1	pcs
14	PB022045	RIVETTO A STRAPPO. 08D01-02916	2	pcs
13	144038	MORS. VITE 5 POSIZ. TIPO PA27MP	1	pcs
12	PB024020	VITE T.E. M6 X 15	1	pcs
11	913013	VITE UNI 6421-M6X20-8.8 ZINC.	3	pcs
10	922204	RONDELLA GROMER 6	4	pcs
9	922004	RONDELLA PIANA 6,4	4	pcs
8	PB004083	SUPP 200 240	1	pcs
7	PB003851	BRACCIO SUPP MOTORE	1	pcs
6	S8000901	COLLARE MOTORE COMPLETO	2	pcs
5	141378	MRE 110345.01	1	pcs
4	PB020897	VITE AUTOF T.E. 4,6 X 13	8	pcs
3	S8000141	CCL FD 200 240	1	pcs
2	S8000140	CCL FD 200 240	1	pcs
1	S8001301	PST 200 240	1	pcs

POS	CODE	DESCRIPTION	Q.ty	UM	NOTE
CREATED BY		CONTROLLED BY		GENERAL TOLERANCE	
R. MACONI		R. MACONI		UNI ISO 2768/v	
DATE		SCALE		MATERIAL	
05/07/95		1:8		UNI EN 10142 DVS104200-H-C-0	
DESCRIPTION		CODE / REVISION		614061 / 08	
FD2 200/240 NB M378					

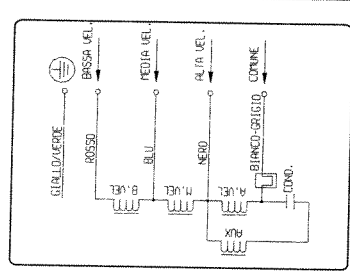
No. e	PAPER	MODEL	FACE	PAGES	REPLACE
	A3		1	2	614061/07

DEVELOPPEMENT OU POIDS
 THEORIQUE
 PRATIQUE

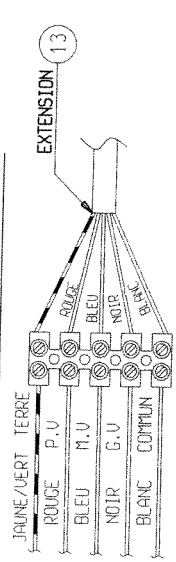


TYPE FD2 185/240 NC CODE 514964
 W. 184 U. 230
 Hz. 50 A.mex. 3
 RPM 1388 INS. B
 UF 6,3 VI. 458 IP. 28

SCHEMA DE CABLAGE
 SCH.02 P80240S3



RACCORDEMENT DU MOTEUR AU BORNIER + EXTENSION



POS.	DESCRIPTION	QUANT.	CODES	NOTES
17	ETIQUETTE VENTILATEUR	1	P823984	+ ETIQ. P8023981 OT.1
16	ETIQUETTE DE RACCORDEMENT	1	P824053	SCHEMA 02
15	INLET-RING 185	2	Y85157	PILES
14	VIS AUTOTAR. 3.9x12.7	14	P823972	DU ALTERNATIVE P8083974
13	EXTENSION	1	148140	
12	SUPPORT CONDENSATEUR	1	840150	
11	CAPUCHON COND. DIAM. 35	1	P820191	
10	CONDENSATEUR 6.3 UF	1	P827740	
9	VIS POUR BORNIER	2	P823950	
8	BORNIER	1	P827028	5 ELEMENTS
7	CAVALOTTE	2	5800901	COLLIER FIX. MOTEUR
6	MOTEUR	1	141358	184 W 4 POLES 3 VIT.
5	ARO 185-240 CU 1/2 GAL.	1	5809908	TURBINE
4	ARO 185-240 CUP 1/2 GAL.	1	5809909	TURBINE
3	ARA 185-240 CU	1	5800113	BOULITE
2	ARA 185-240 CU	1	5800112	BOULITE
1	BOB FD2 185-240 NC	1	5801136	PLATEAU + SUP. MOTEUR

NICOTRA BEVELU S.A.
 Ventilateurs - Boitiers

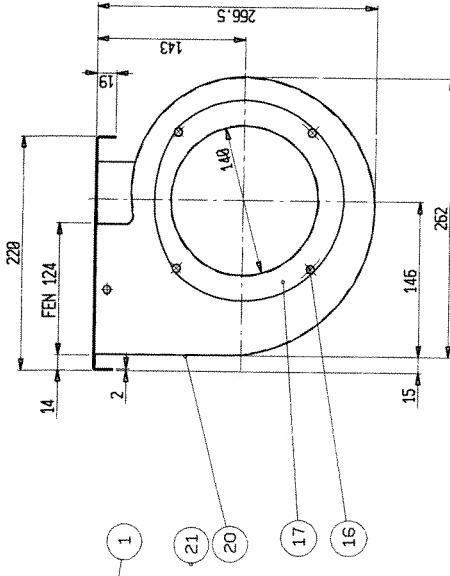
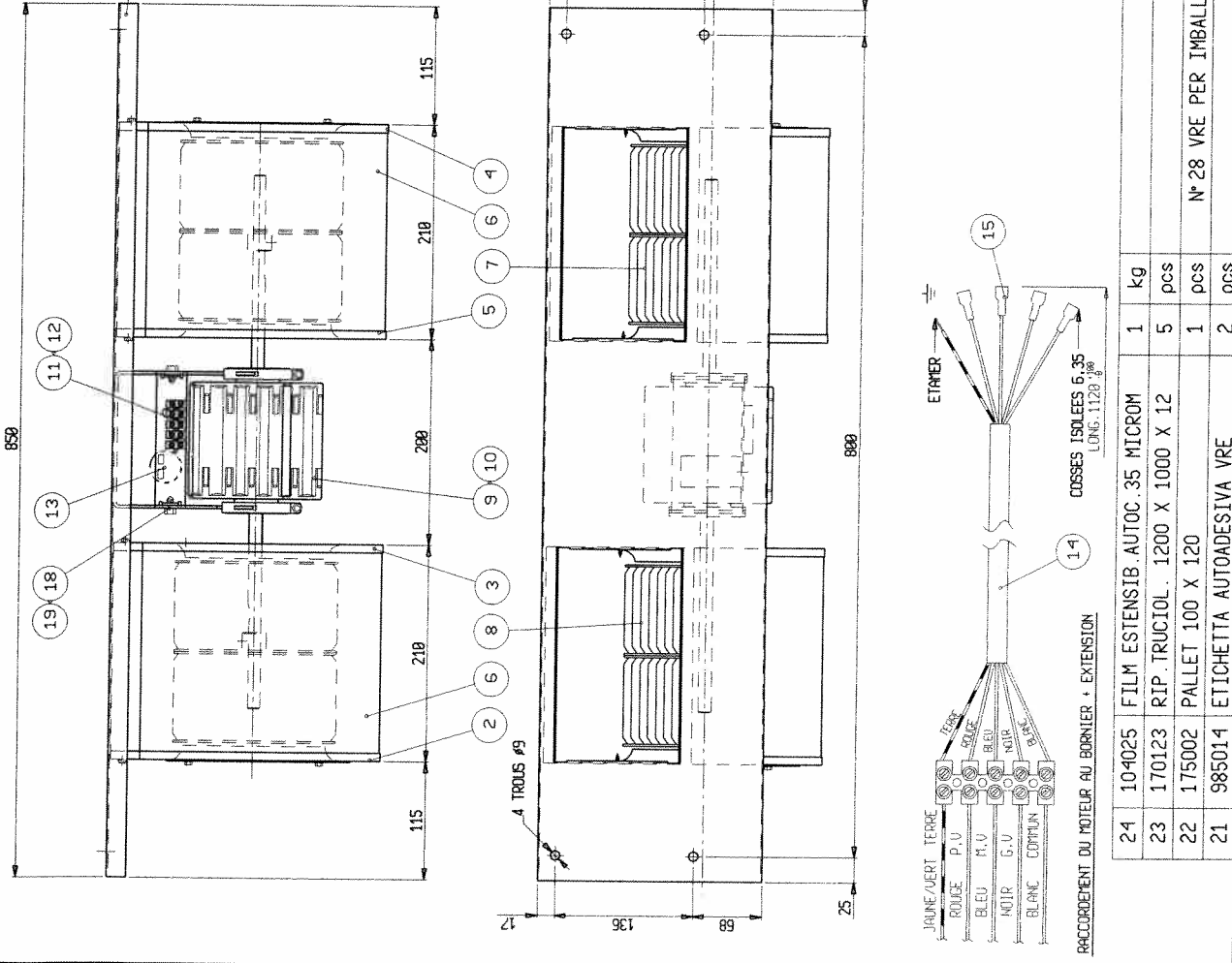
Model: FD2 185/240 NC
 Date: 23/02/96

Code: 514964
 Rev: 1.3

Scale: 1:3

Plan N. 514964 / 04

Author: [Signature]



POS	CODE	DESCRIPTION	Q.ty	UM	NOTE
20	985537	ETICHETTA AUTOADES. CONTROLLO	1	pcs	
19	PB020880	VITE AUTOF TEFL 6.3X16 UNI6950	4	pcs	N° 7 VITE PER C/ING. N° 7 PER FIS. PER ALL. IMBILLO
18	PB003423	TRAVERSA CULLA MOTORE FD	1	pcs	
17	PB005996	BOCC 160 STD	2	pcs	
16	PB023072	VITE AUTOF TEFL 3.9X13 UNI6950	14	pcs	
15	144134	COPRI FAST. FEM C/LING. BM01022	4	pcs	
14	140142	GR. CAVETTI MRE L1120	1	pcs	
13	PB020184	COND+CAP. 8MF V500+VITE (c.l. P2)	1	pcs	
12	PB022045	RIVETTO A STRAPP. OBD01-02916	2	pcs	
11	144038	MORS. VITE 5 POSIZ. TIPO PA27MP	1	pcs	
10	SB000901	COLLARE MOTORE COMPLETO	2	pcs	
9	141359	MRE M00746-110356.00	1	pcs	
8	SB008415A	ZAL DA 160/176 LG 12,7	1	pcs	
7	SB008414A	ZAL DA 160/176 RD 12,7	1	pcs	
6	PB003922	DORSO 160 176	2	pcs	
5	PB003736	FCT 160 IMBUTITA	1	pcs	
4	PB003733	FCT 160	1	pcs	
3	PB003735	FCT 160 IMBUTITA	1	pcs	
2	PB003734	FCT 160	1	pcs	
1	SB002014	PST 160 176	1	pcs	

NICOTRA
NICOTRA SPA
Srab. Zingonia - BG

DESCRIZIONE
FD2 160/176 NC W359

CREATED BY
P. Carove li

SCALE
1:5

DATE
04/05/2005

CONTROLLED BY
GENERAL TOLERANCE
UNI EN 22768/v

MATERIAL
UNI EN 10142 DMS10F200-M-A-C-0

CODE / REVISION
614540 / 02

REVISION
PAGE 1
PAGES 1
REPLACE 614540/01

24 104025 FILM ESTENSIB. AUTOC. 35 MICROM 1 kg

23 170123 RIP. TRUCIOL. 1200 X 1000 X 12 5 pcs

22 175002 PALLET 100 X 120 1 pcs

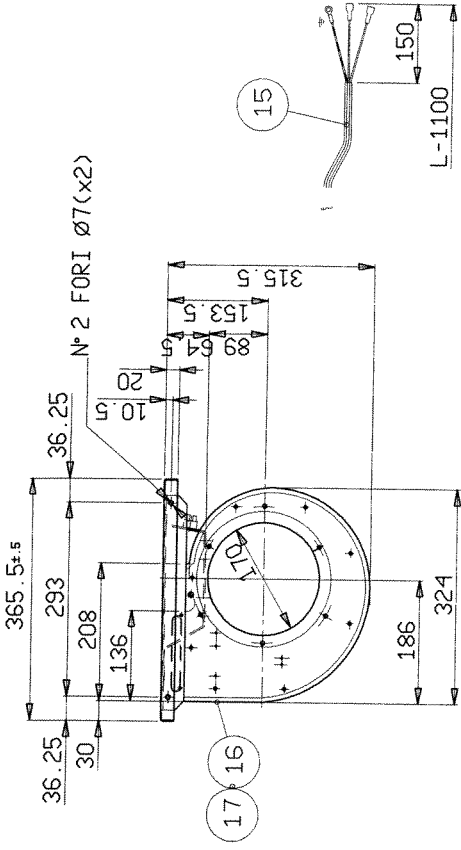
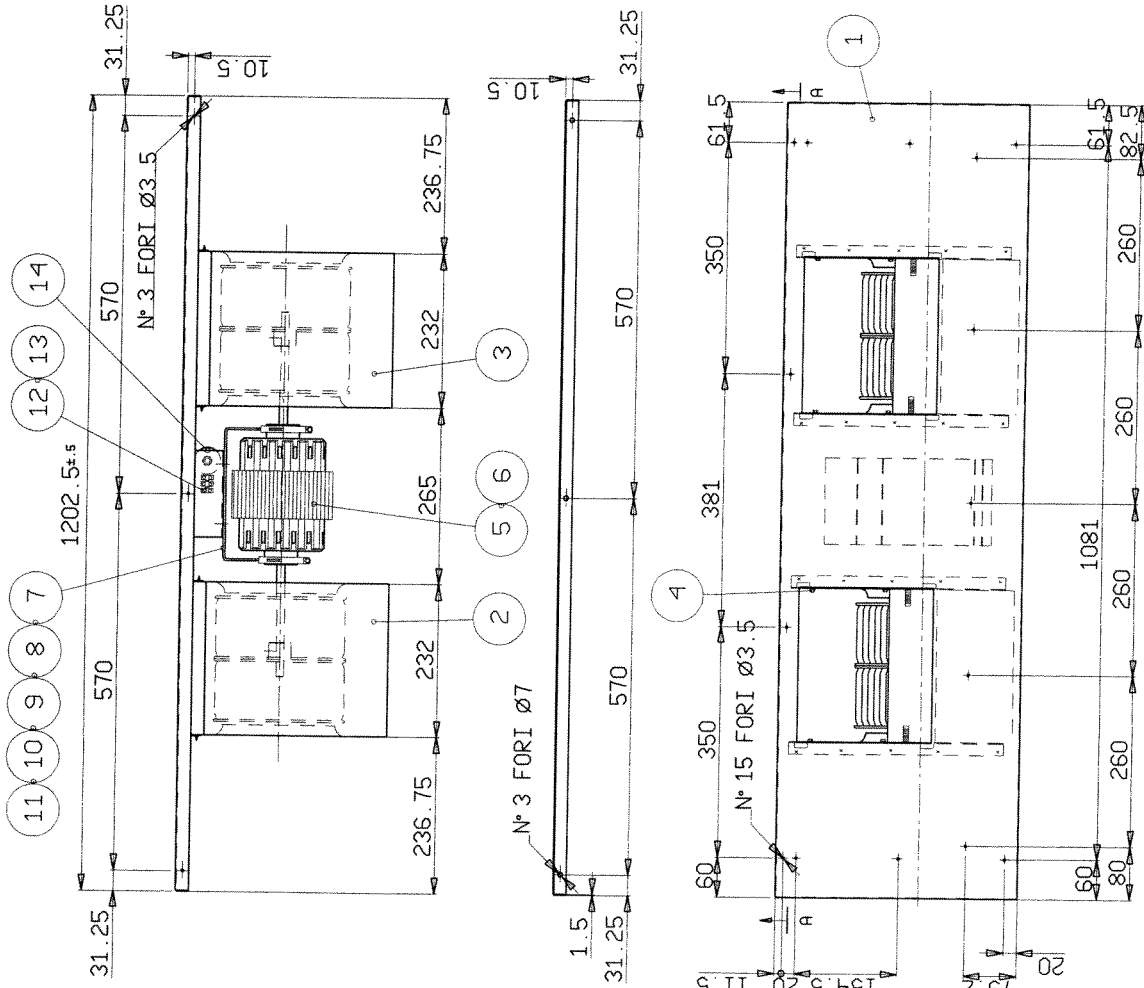
21 985014 ETICHETTA AUTOADESIVA VRE 2 pcs

N° 28 VRE PER IMBALLO

RICHIESTA DISEGNO DEL 27/10/1999 - AGGIUNTO PB003423 - PB020880 - IMBALLO IN PALLET - GARAVELLI

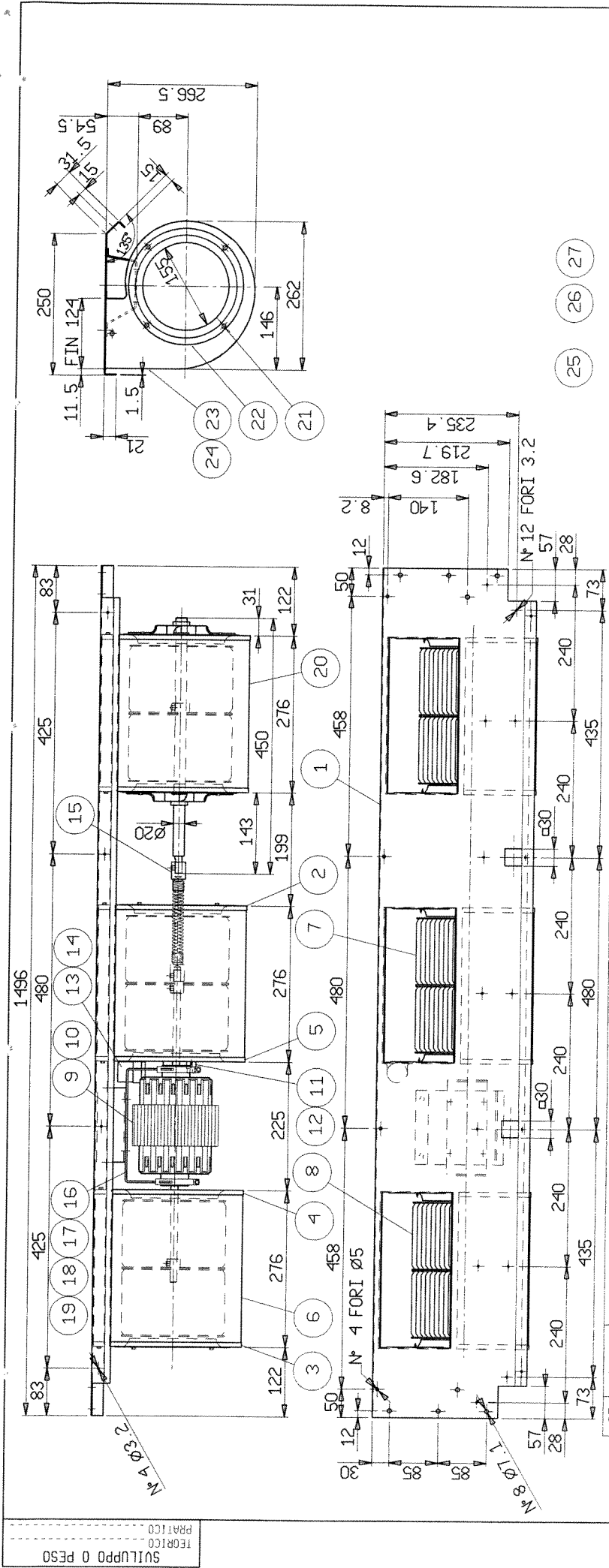
04/05/2005

01
02
03
04
05
06
07
08
09



POS	CODE	DESCRIPTION	Q.ty	UM
20	104025	FILM ESTENSIB. AUTOC. 35 MICROM	1	kg
19	170124	RIP. TRUCIOL. 800 X 1200 X 12	4	pcs
18	175000	PALLET 80 X 120	1	pcs
17	985537	ETICHETTA AUTOADES. CONTROLLO	1	pcs
16	985014	ETICHETTA AUTOADESIVA VRE	2	pcs
15	140129	CAV. +FASTON L. 800	1	pcs
14	PB022415	COND+CAP 16MF V500 +VITE	1	pcs
13	PB022045	RIVELITO A STRAPPO. 08D01-02916	2	pcs
12	144037	MORS. VITE 3 POSIZ. TIPO PA27MP	1	pcs
11	PB024020	VITE T.E. M6 X 15	1	pcs
10	913013	VITE UNI 6421-M6X20-8 & ZINC.	3	pcs
9	922204	RONDELLA GRONER 6	4	pcs
8	922004	RONDELLA PIANA 6, 4	4	pcs
7	PB003851	BRACCIO SUPP MOTORE	1	pcs
6	SB000901	COLLARE MOTORE COMPLETO	2	pcs
5	141394	MRE 110529.00	1	pcs
4	PB020897	VITE AUTOF T.E. 4,6 X 13	8	pcs
3	SB000115	CCL FD 200 190	1	pcs
2	SB000114	CCL FD 200 190	1	pcs
1	SB001375	PST 200 190	1	pcs

CREATED BY		CONTROLLED BY		GENERAL TOLERANCE	
R. MACONI				UNI ISO 22768/v	
DATE		SCALE		MATERIAL	
05/08/2004		1:8		UNI EN 10142 D1510+200-W-A-C-0	
DESCRIPTION					
FD2 200/190 NB M394					
CODE / REVISION					
614047 / 04					
No. 10		PAGE		REPLACE	
		1		2	
PAPER		MODEL			
A3				614047/03	



POS	CODE	DESCRIPTION	Q.ty	UM	NOTE
27	104025	FILM ESTENSIB. AUTOC. 35 MICRON	1	kg	AVVOLGERE IMBALLO
26	170122	RIP. TRUCIOL. 1000 X 1500 X 12	5	pcs	UN RIPIANO APPOG. SUL PALLET
25	175001	PALLET 1000 X 1500	1	pcs	ACCATASTARE 15 VRE
24	985014	ETICHETTA AUTOADESIVA VRE	2	pcs	
23	985537	ETICHETTA AUTOADES. CONTROLLO	1	pcs	
22	805157	BCC 185 FD-DD-SAE	2	pcs	
21	PB023072	VITE T. E. AUTOF+RON 3,9X12,7	14	pcs	
20	AB001741A	SM BDC 185-240 CCL+VLA+ALB	1	pcs	
19	922004	RONDELLA PIANA 6,4	4	pcs	
18	922204	RONDELLA GROMER 6	4	pcs	
17	913013	VITE UNI 6421-M6X20-8.8 ZINC.	4	pcs	
16	PB003851	BRACCIO SUPP MOTORE	1	pcs	
15	SB008336	GIUNTO 3mm RD ø12.7 - ø12.7	1	pcs	
14	840158	FASC.FISS.COMD. TONDO 45	1	pcs	
13	143078	COND+CAP 20 MF V450	1	pcs	
12	914105	VITE AUTOF. 2,9X25	2	pcs	

POS	CODE	DESCRIPTION	Q.ty	UM	NOTE
11	144039	MORS. VITE 7 POSIZ. TIPO PA27MP	1	pcs	
10	SB000901	COLLARE MOTORE COMPLETO	2	pcs	
9	1413C1	MRE 110345.07	1	pcs	
8	735664	ZFE DA 185/240 LG ø12.7	1	pcs	
7	735764	ZFE DA 185/240 RD ø12.7	1	pcs	
6	PB003924	DORSO 160/185 240	2	pcs	
5	PB003740	FCT 185	1	pcs	
4	PB003739	FCT 185	1	pcs	
3	PB003738	FCT 185	1	pcs	
2	PB003737	FCT 185	1	pcs	
1	7634C9	PST FD3 185 240	1	pcs	

SVILUPPO 0 PESO
TEGICO
PRATICO

LA NICOTRA INDUSTRIALE SPA SI RISPONDE PER IL PRODOTTO E IL MONTAGGIO SENZA LA PRESENZA DI UNO DEI SEGUENTI DISEGNI
CON DIVIETO DI RIPRODURRE IL DISEGNO SENZA LA PRESENZA DI UNO DEI SEGUENTI DISEGNI

NICOTRA
Stab. Zingonia - BG

DESCRIPTION: **FD3 185/240 NC M3C1**

CREATED BY: **M. RAGUSA**

DATE: **30/03/2004**

SCALE: **1:7**

MATERIAL: **UNI EN 10142 DX510Z200-M-A-C-0**

GENERAL TOLERANCE: **UNI ISO 22768/v**

CONTROLLED BY:

REVISION: **6149N1 / 01**

PAGE: **1** of **2**

MODEL: **A3**

REPLACE: **6149N1 / 00**