

# Dynapac CA2500PD HC

Single drum vibratory rollers



## Technical data



### Masses

Operating mass (incl. ROPS)	11100 kg
Operating mass (incl. Cab)	11300 kg
Module mass (front/rear)	6600/4700 kg
Max. operating mass	11950 kg



### Dimensions

Drum width	2130 mm
------------	---------



### Traction

Speed range	0 -12 km/h
Tyre size (8 ply)	23,1 x 26 TR
Theor. gradeability, forward	55 %
Theor. gradeability, reverse	55 %
Vertical oscillation	±9°
Number of pads	130
Pad area	146 cm <sup>2</sup>
Pad height	102 mm



### Compaction

Nominal amplitude (high/low)	2.0 mm/1.1 mm
Vibration frequency (high/low amplitude) SEISMIC available (values for manual mode)	30 Hz /30 Hz
Centrifugal force (high/low amplitude)	260 kN/150 kN



### Engine

Manufacturer/Model	Cummins QSF3.8 (IV/4final)
Type	Water cooled turbo Diesel
Rated power, SAE J1995	89 kW (120 hp ) @ 2200 rpm
Fuel tank capacity	255 l
DEF tank capacity	20 l



### Hydraulic system

Driving	Hydrostatic
Vibration	Hydrostatic
Steering	Hydrostatic
Service brake	Hydrostatic in forward and reverse lever.
Parking/ Emergency brake	Failsafe multidisc brake in drum gear box and in rear axle.

Find us locally at [www.dynapac.com](http://www.dynapac.com)

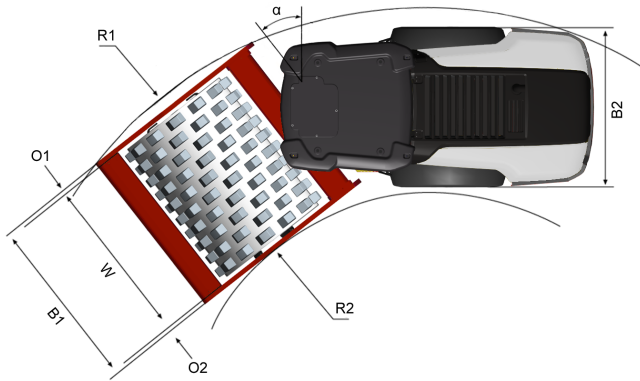
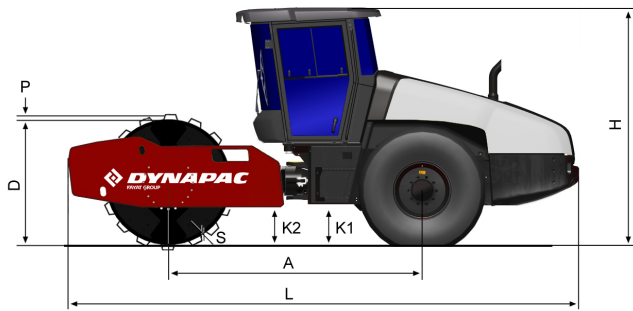
We reserve the right to change specifications without notice. Photos and illustrations do not always show standard versions of machines. The above information is a general description only, all informations are supplied without liability.

# Dynapac CA2500PD HC

## Single drum vibratory rollers



### Technical data



Dimensions	
A. Wheelbase	2990 mm
B1. Width, front	2300 mm
B2. Width, rear	2130 mm
D. Drum diameter	1490 mm
H. Height, with ROPS/cab	2970 mm
H1. Height, with ROPS/cab	2970 mm
H2. Height, w/o ROPS/cab	2220 mm
K1. Ground clearance	450 mm
K2. Curb clearance	450 mm
L. Length	5990 mm
O1. Overhang, right	105 mm
O2. Overhang, left	105 mm
P. Pad height	102 mm
R1. Turning radius, outside	5450 mm
R2. Turning radius, inside	3300 mm
S. Drum shell thickness	20 mm
W. Drum width	2130 mm
α. Steering angle	±38°

Find us locally at [www.dynapac.com](http://www.dynapac.com)

We reserve the right to change specifications without notice. Photos and illustrations do not always show standard versions of machines. The above information is a general description only, all informations are supplied without liability.