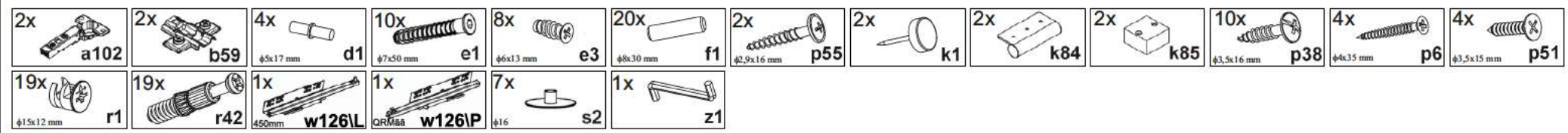
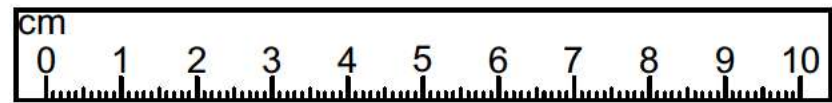
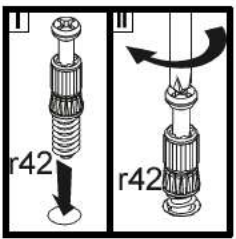
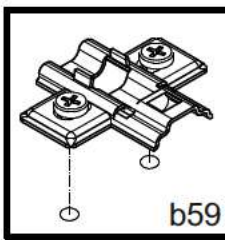
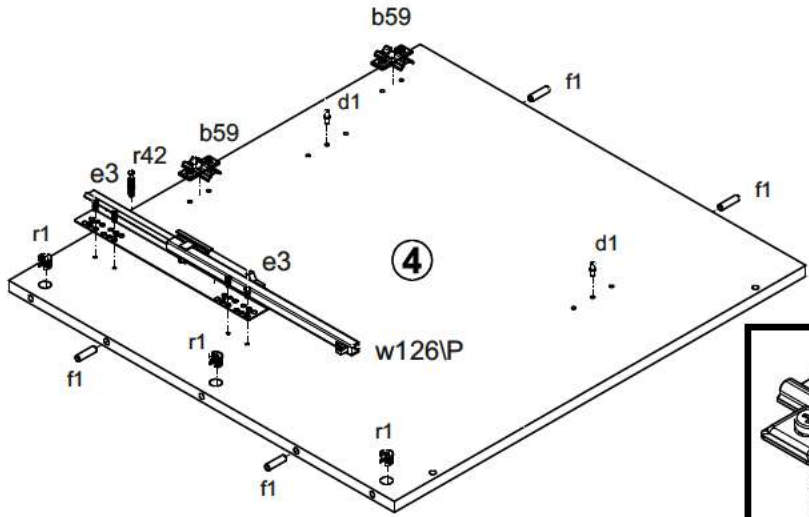
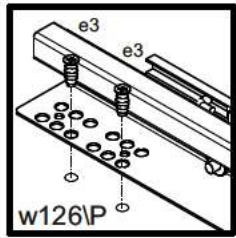
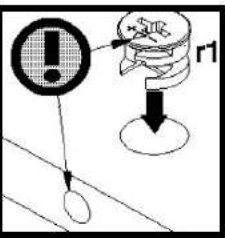
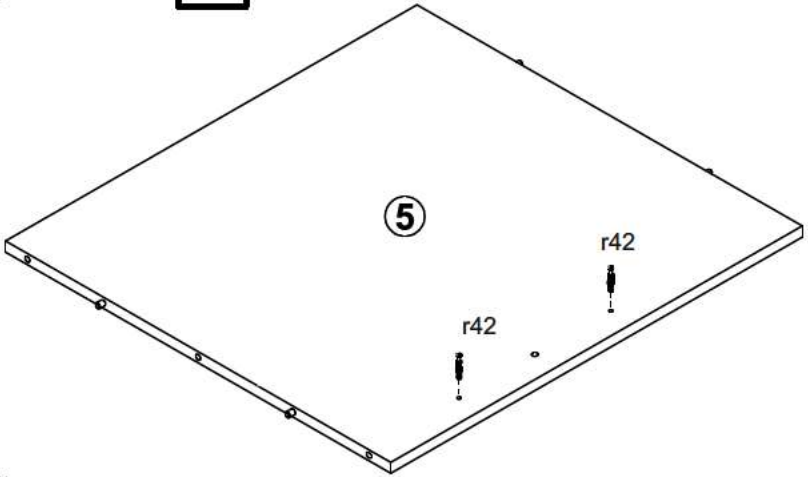
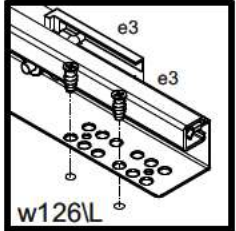
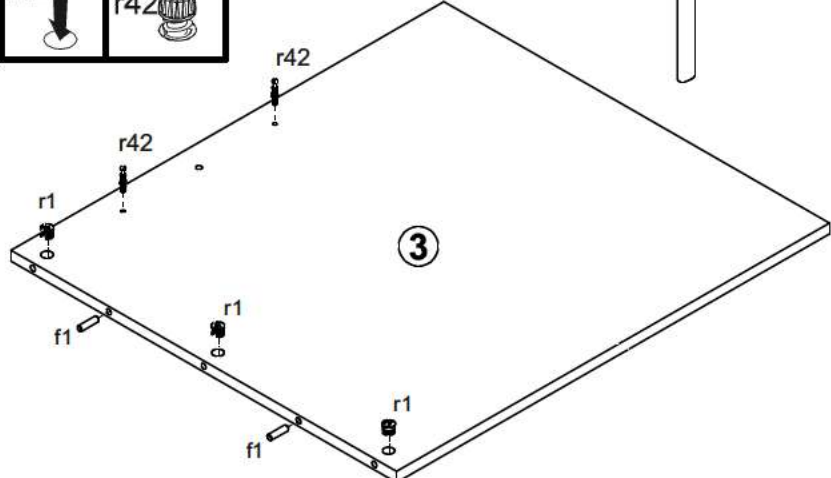
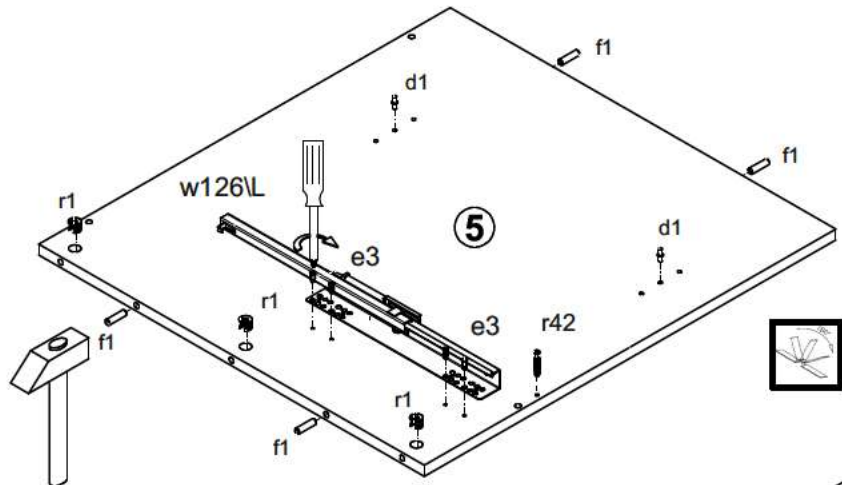
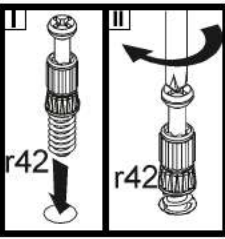
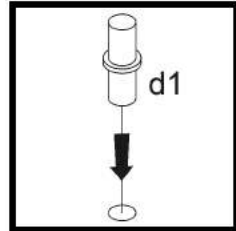
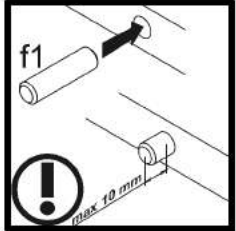


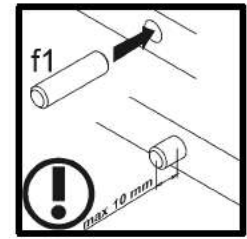
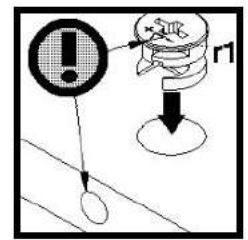
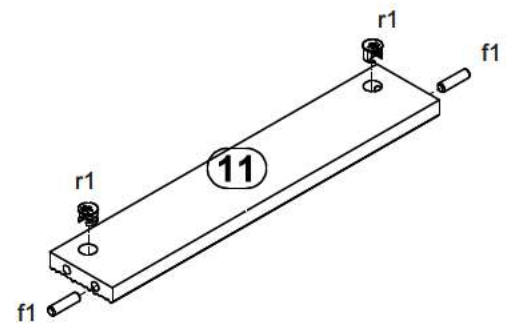
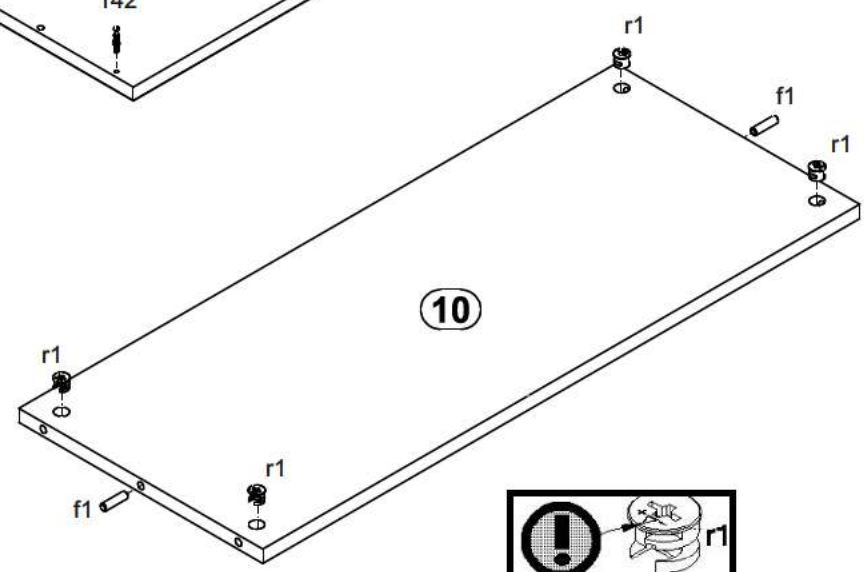
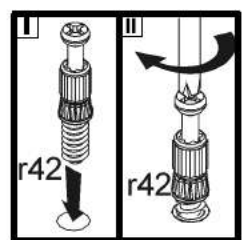
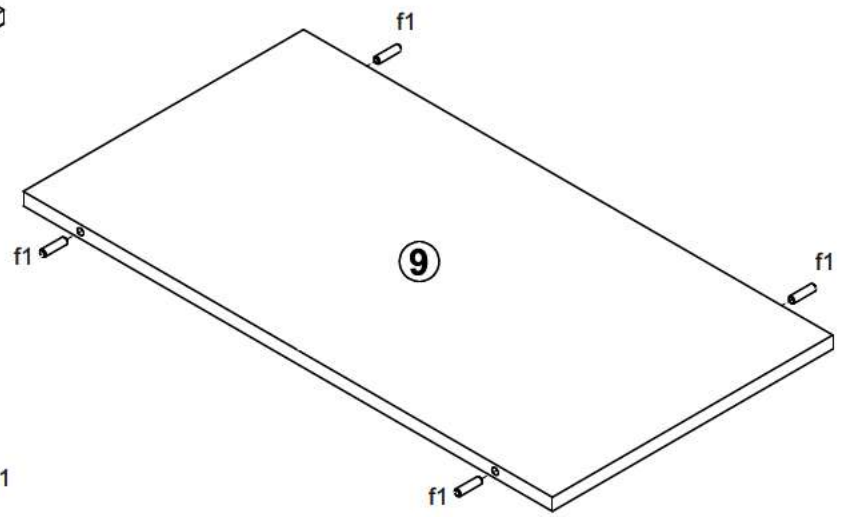
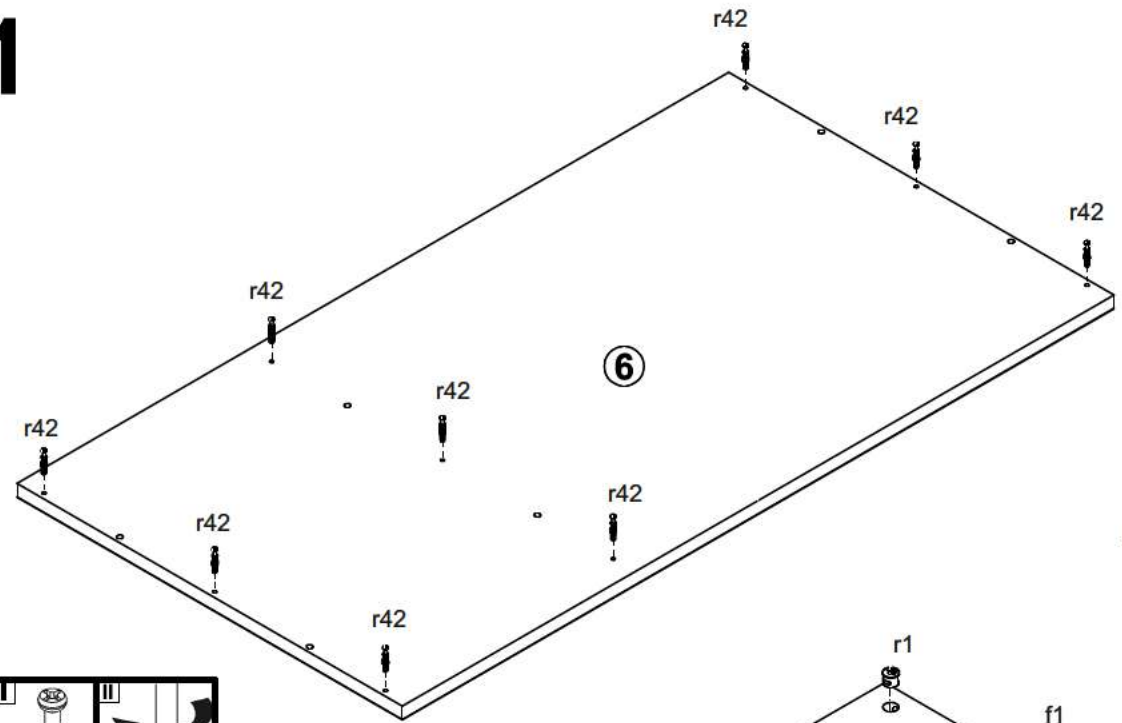
A	B	C (mm)		D
1	S205-049	200	396	2/2
2	S205-050	525	396	2/2
3	S205-175	730	650	1/2
4	S205-176	694	650	1/2
5	S205-177	694	650	1/2
6	S205-239	1200	650	1/2
7	S205-240	401	650	1/2
8	S205-334	367	627	1/2
9	S205-416	694	368	1/2
10	S205-417	783	320	1/2
11	S205-590	368	70	2/2
12	S205-993	338	458	1/2
13	S205-530	450	105	1/2
14	S205-531	450	105	1/2
15	S205-532	320	91	1/2

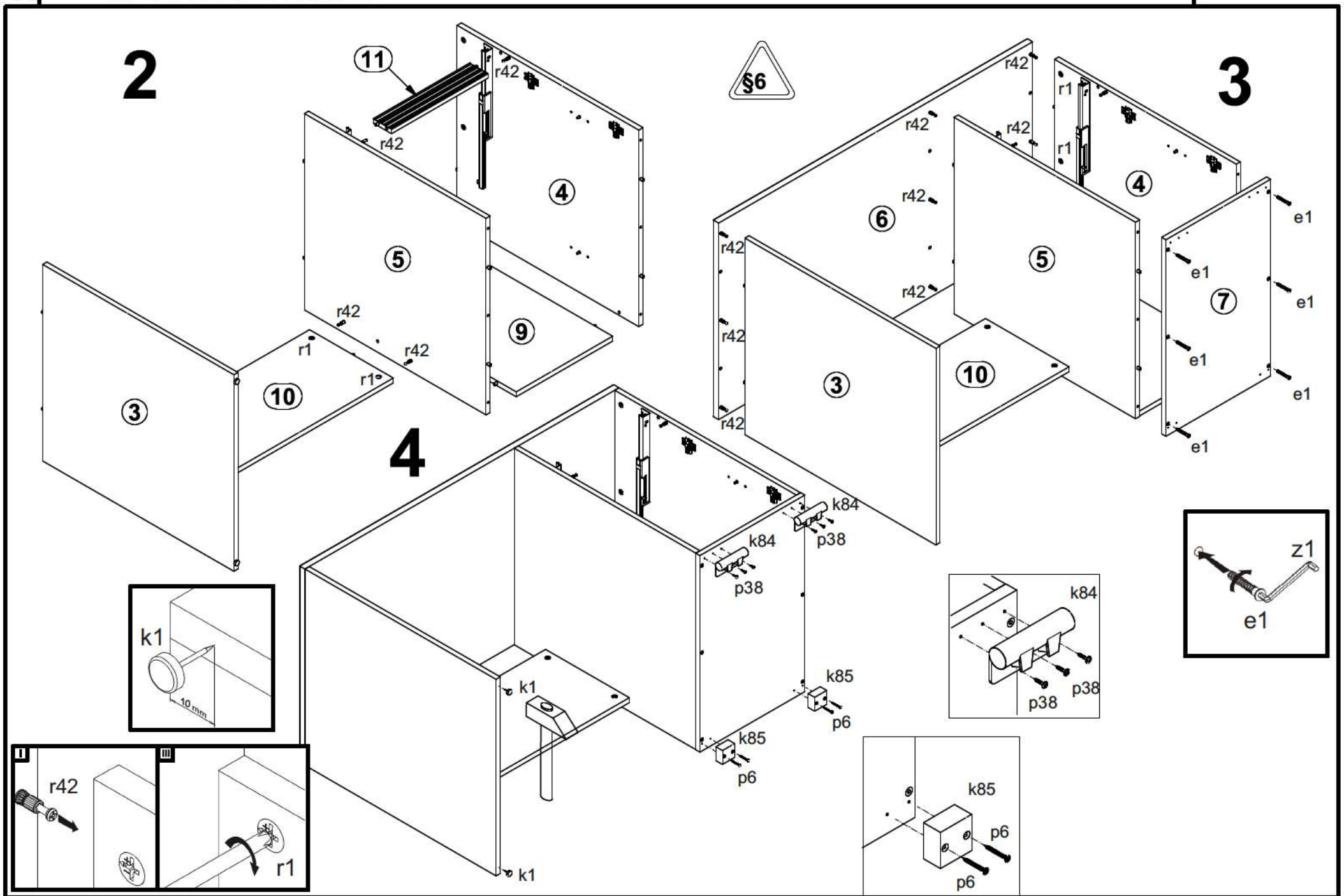


1 

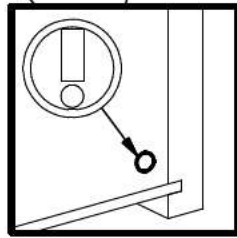
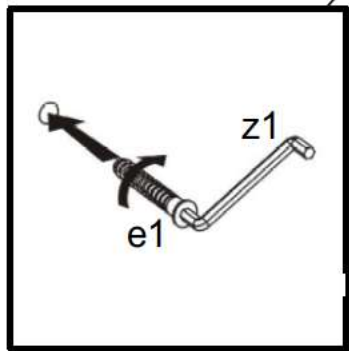
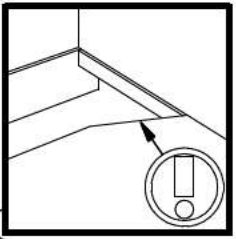
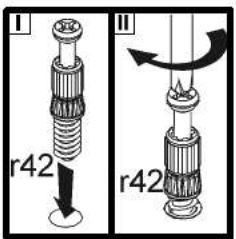
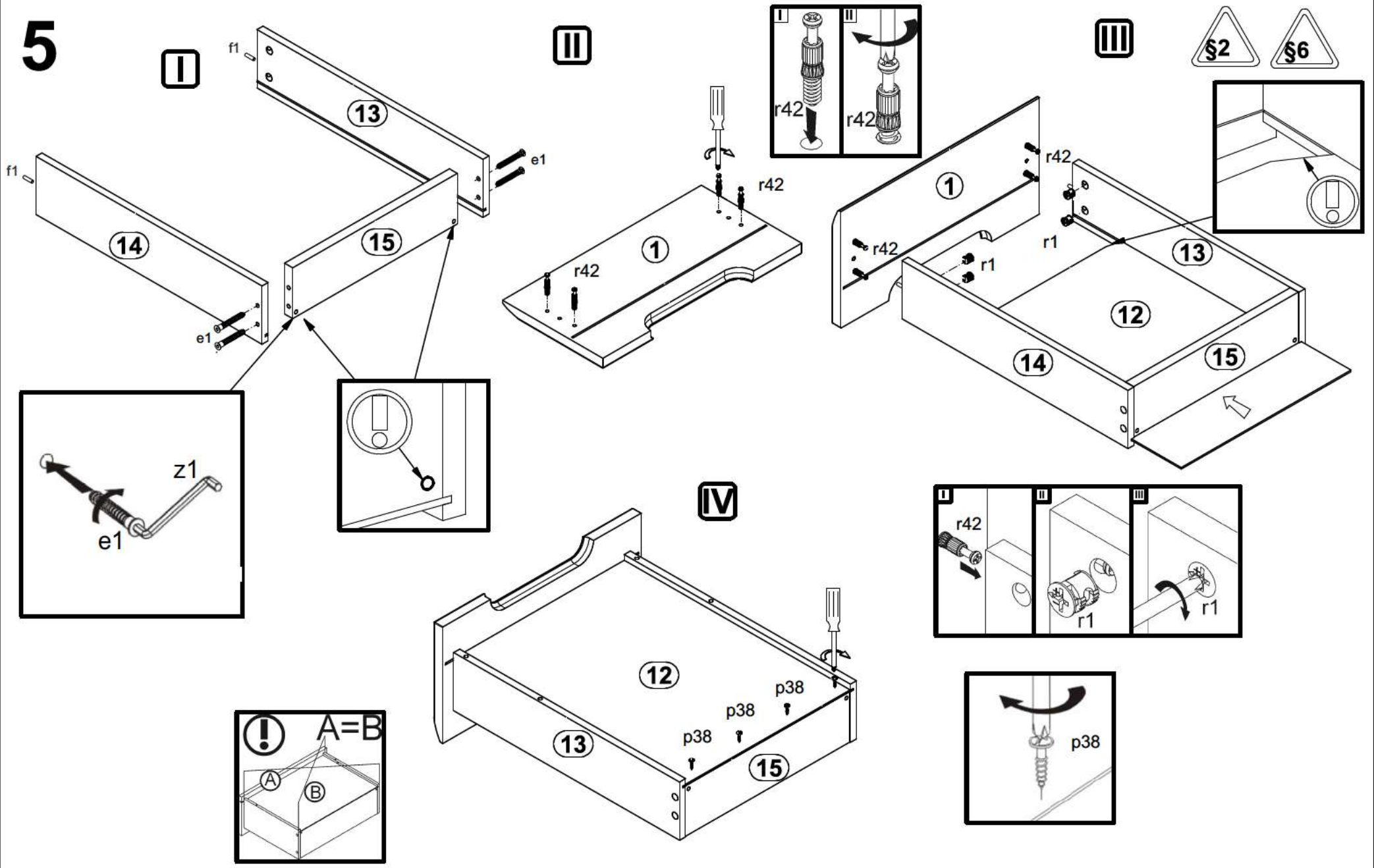


1

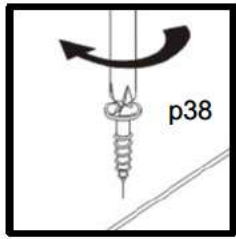
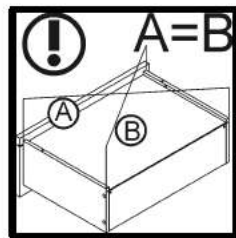
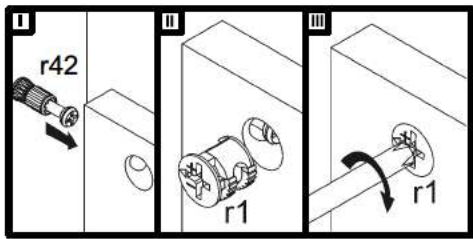




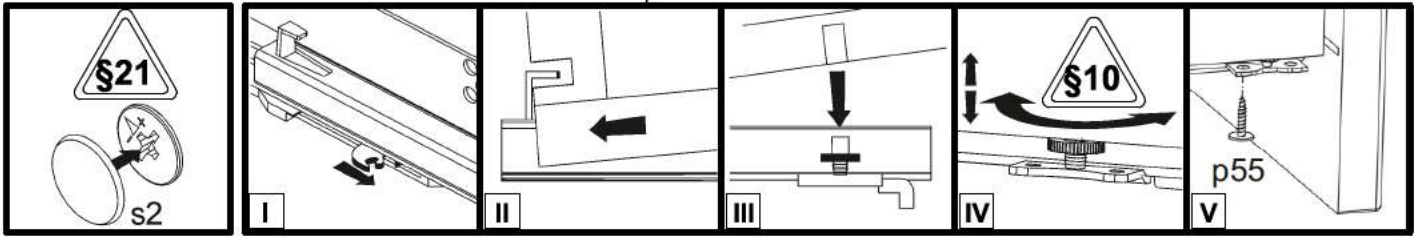
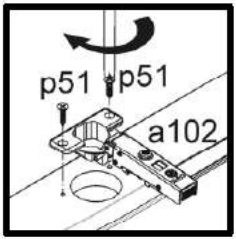
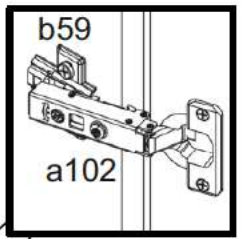
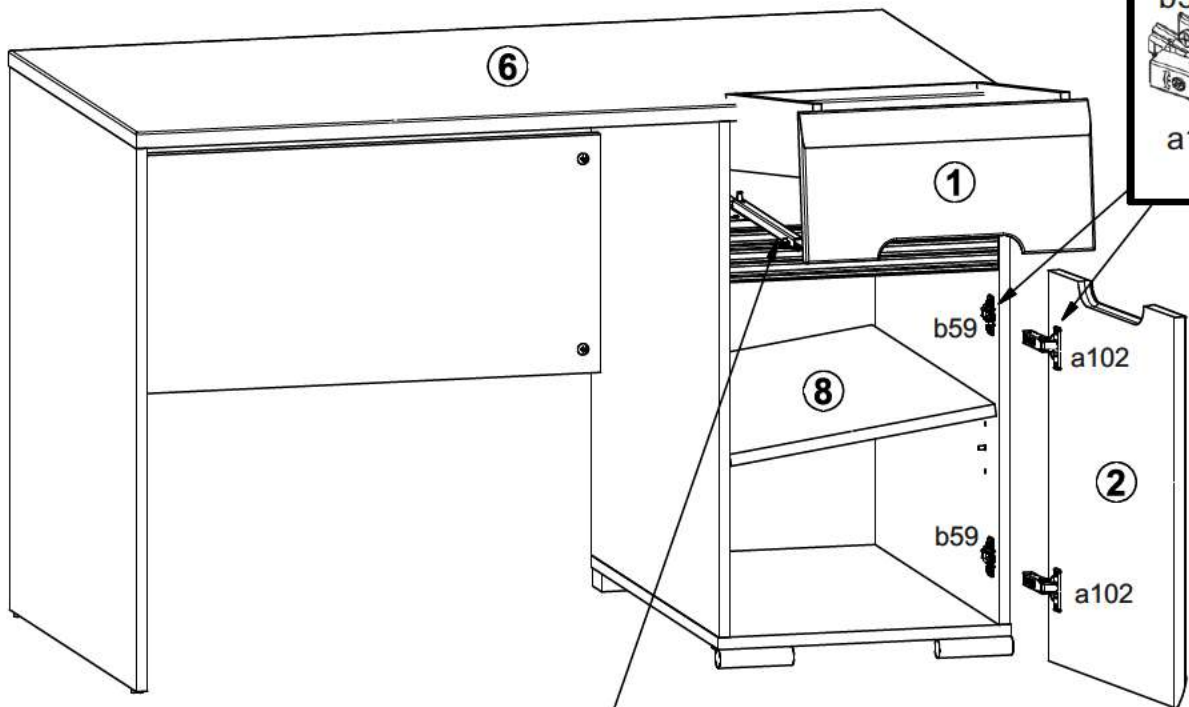
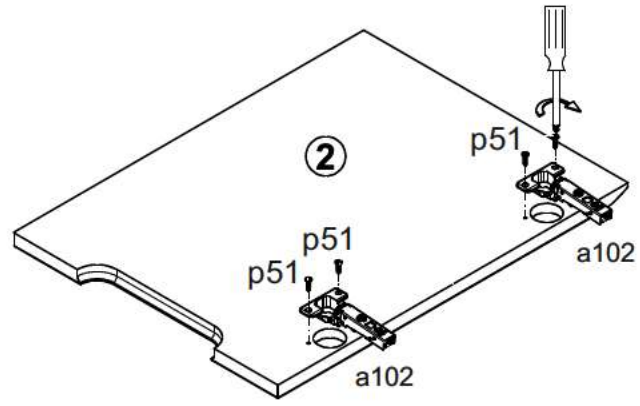
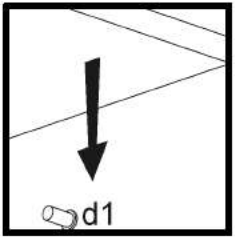
5



IV



6



7

