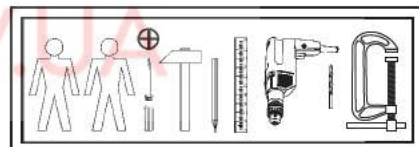
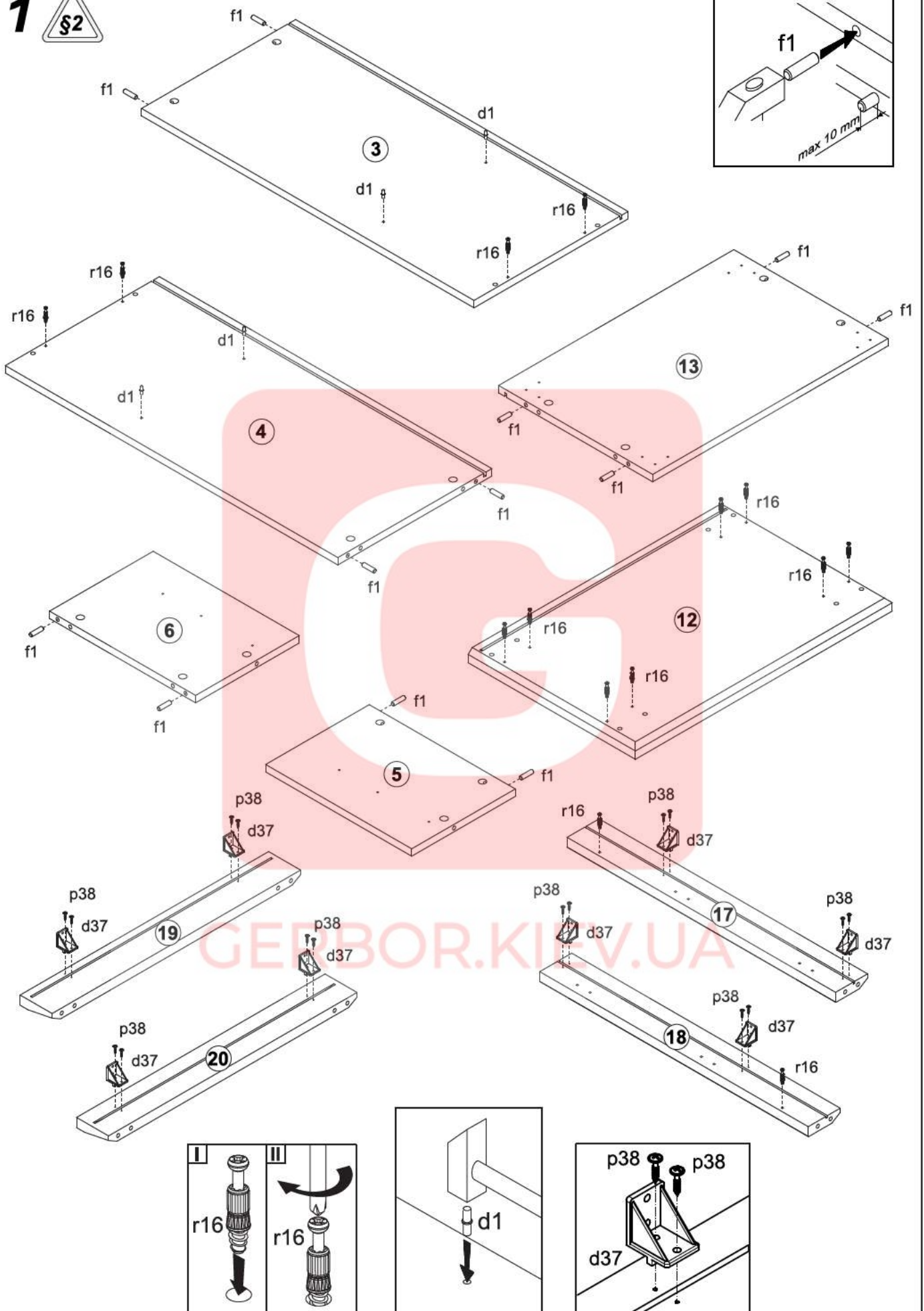


A	B	C	D	A	B	C	D		
1	S359-001	455	175	4/5	11	S359-912	349	419	1/5
2	S359-002	484	455	4/5	12	S359-203	642	418	2/5
3	S359-106	831	385	1/5	13	S359-304	588	385	2/5
4	S359-107	831	385	1/5	14	S359-914	414	602	2/5
5	S359-108	259	365	1/5	15	S359-915	414	602	2/5
6	S359-109	259	365	1/5	16	LH-587	587	14	2/5
7	S359-305	588	365	1/5	17	S359-5007	671	80	3/5
8	S359-568	350	140	1/5	18	S359-5010	671	80	3/5
9	S359-569	350	140	1/5	19	S359-5059	621	80	3/5
10	S359-567	404	140	1/5	20	S359-5051	621	80	3/5

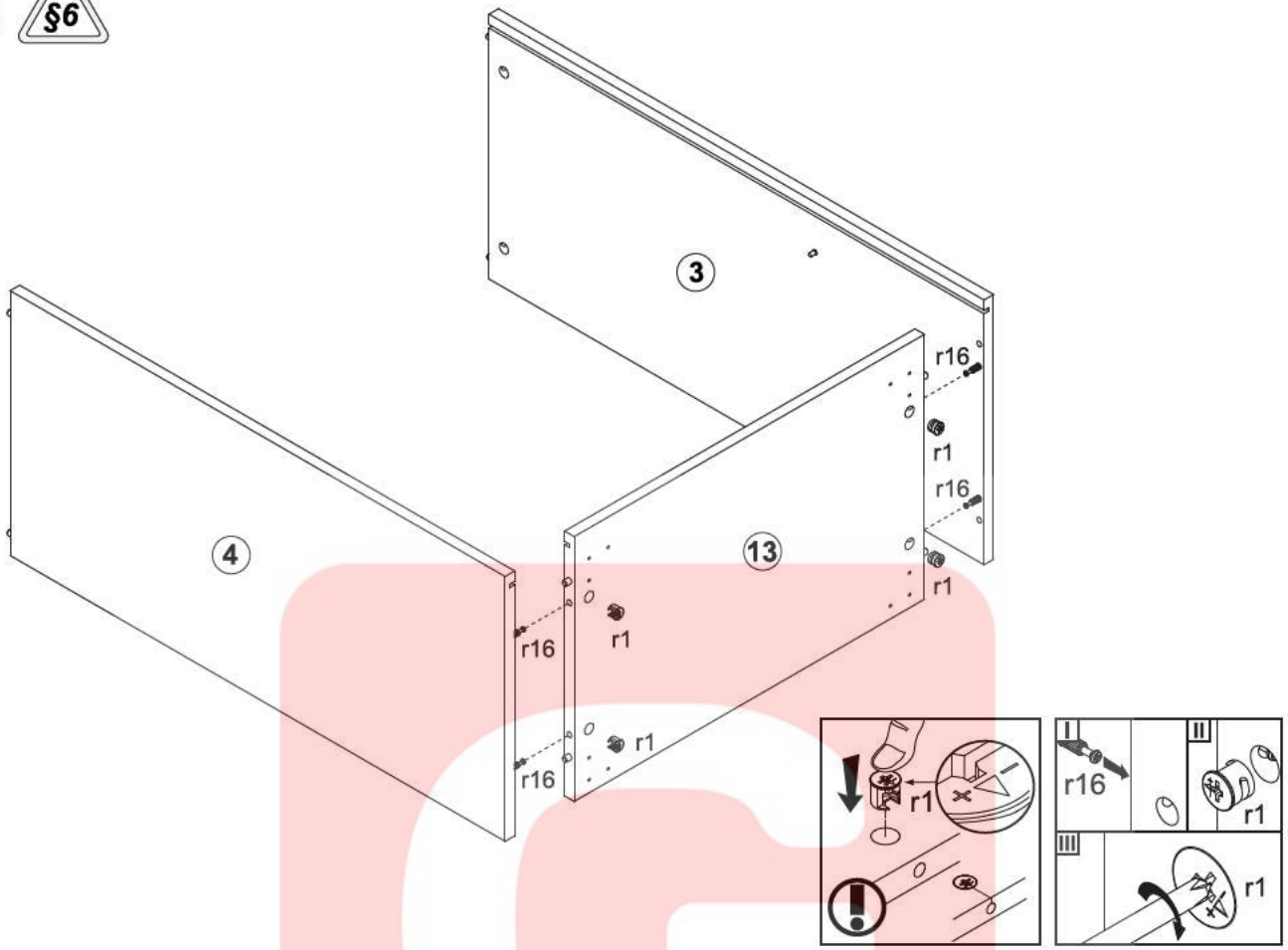


2x a132	1x a133	2x b43	1x M4 c415	4x φ5x17 mm d1	8x d37	4x φ6,3x13 mm e2
6x φ6x13 mm e3	4x φ5x50 mm e32	12x φ5x18 mm e58	20x φ8x30 mm f1	1x M4x22 mm j30	4x k125	6x l2
1x n26\1	33x φ3,5x16 mm p38	4x φ3,5x15 mm p51	6x φ3,5x12 mm p140	18x φ15x12 mm #16 r1	18x 20/9 r16	6x ø16 s2
1x ø5 s4	2x 350 mm w201 ¹	2x 350 mm w201 ²	 1x 1x			

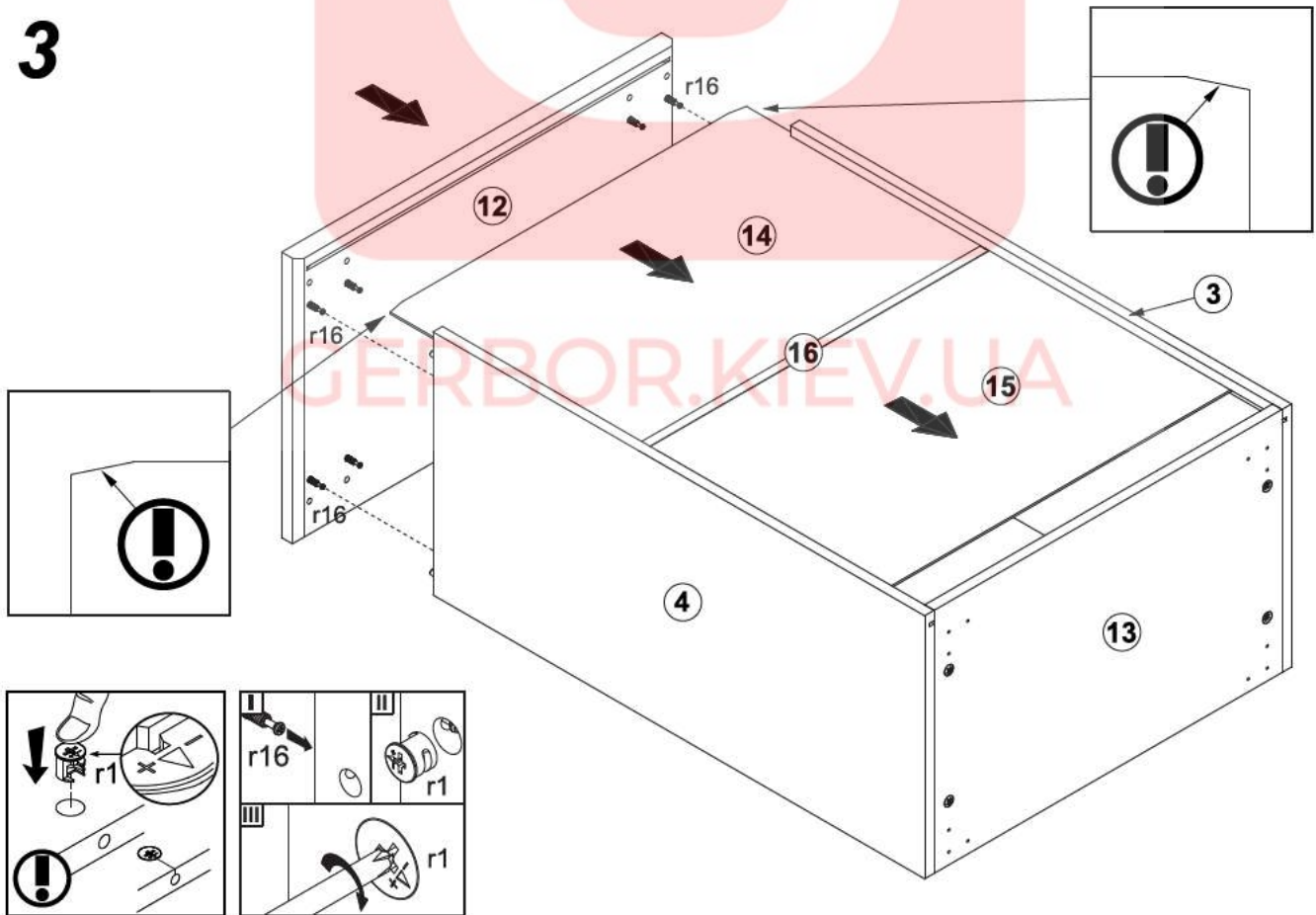
1



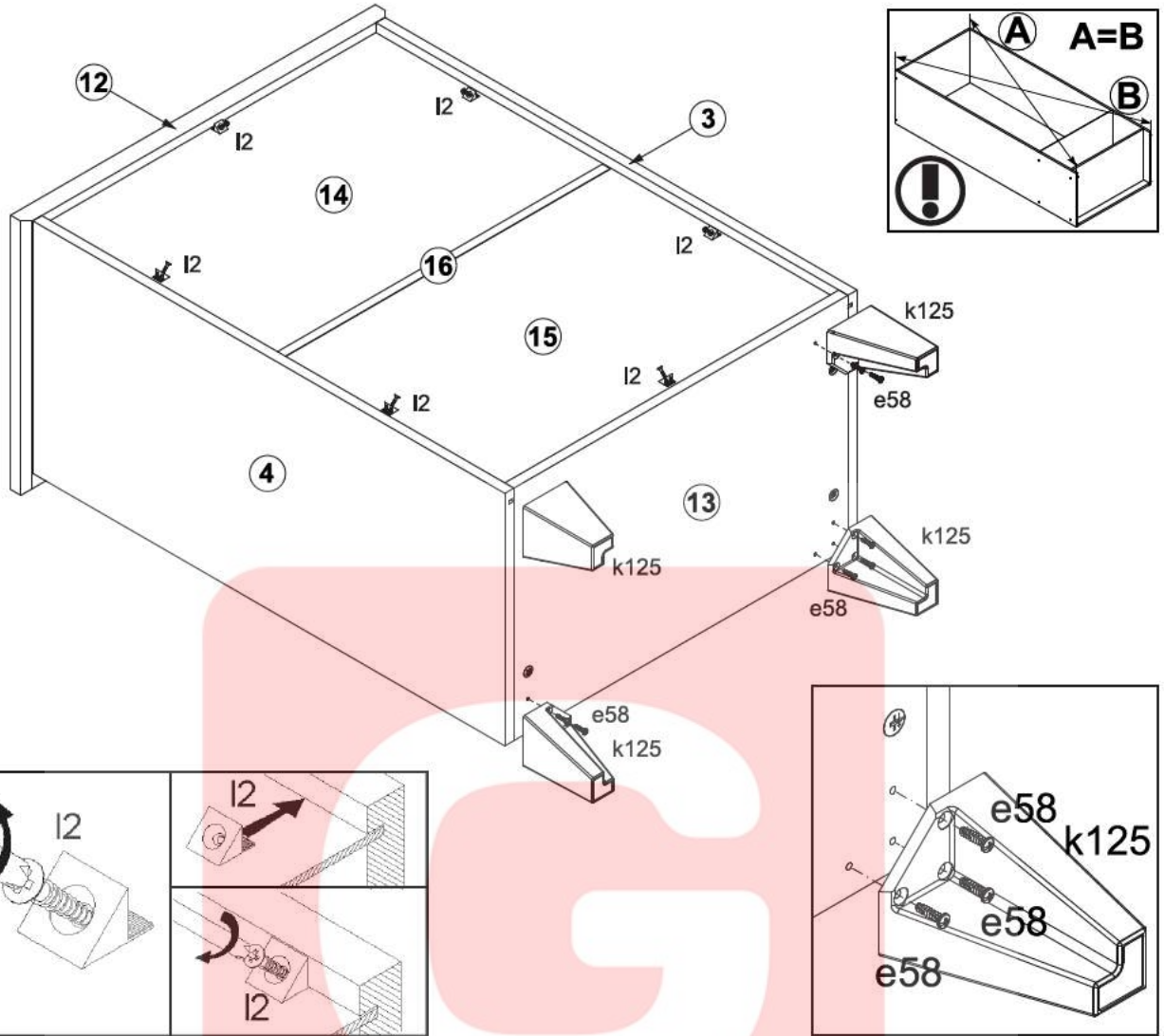
2 



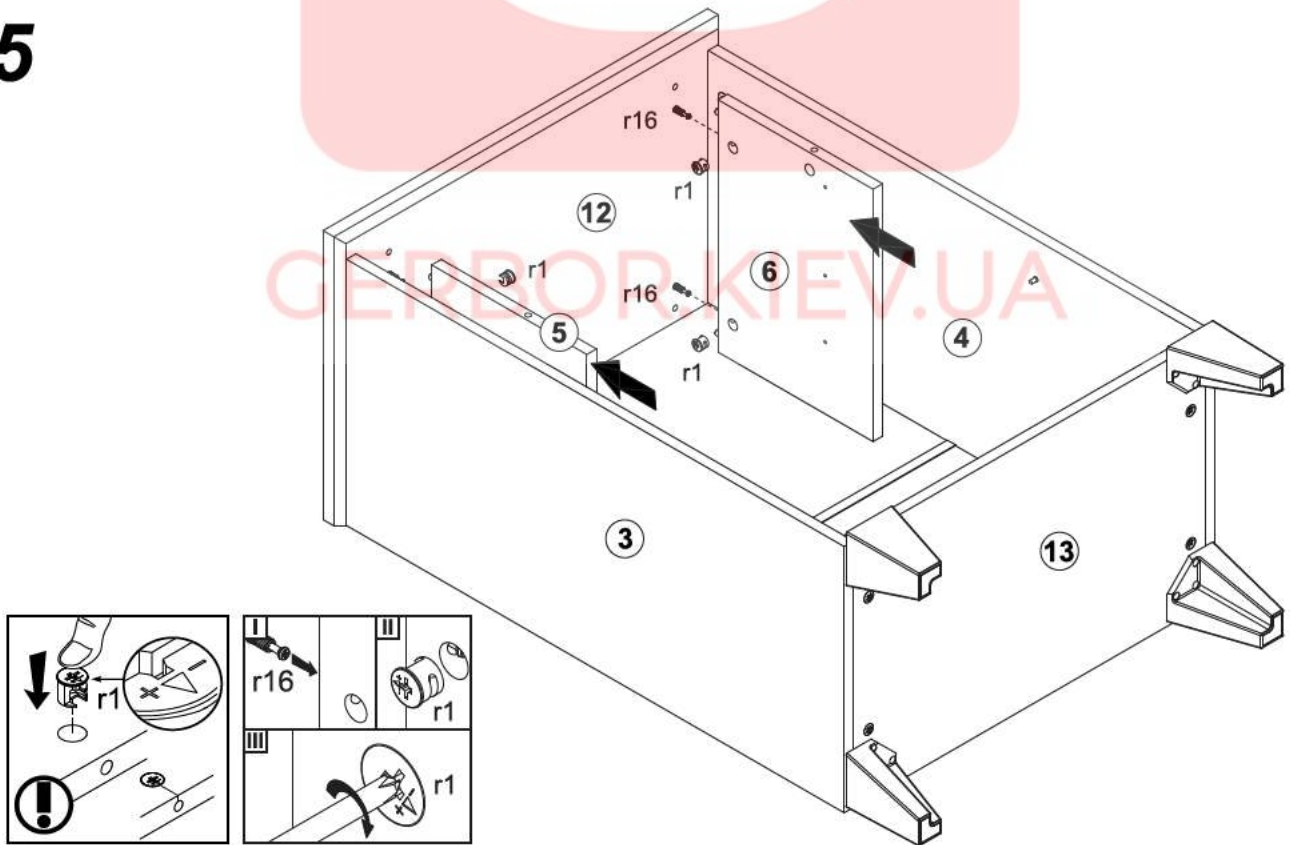
3



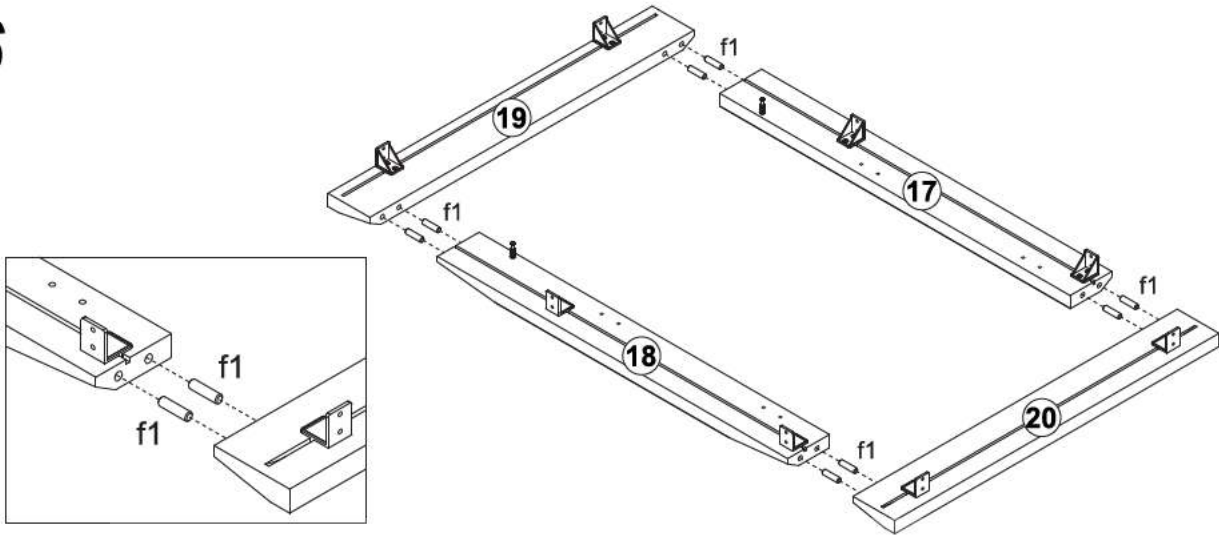
4



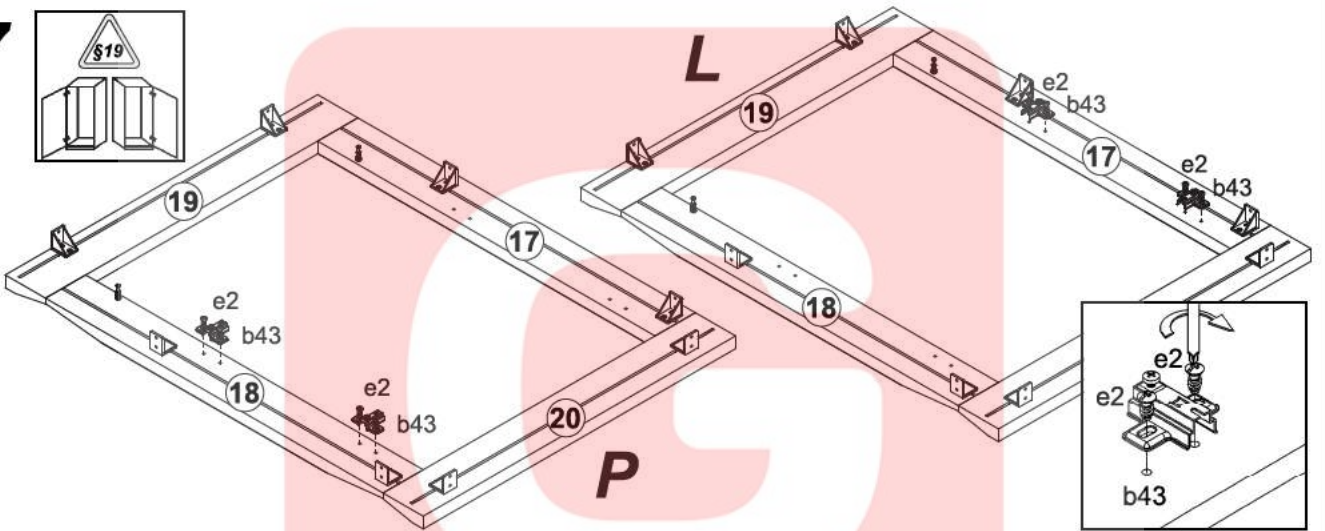
5



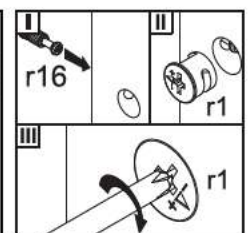
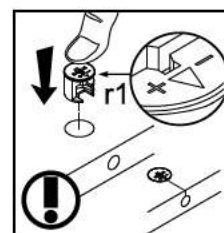
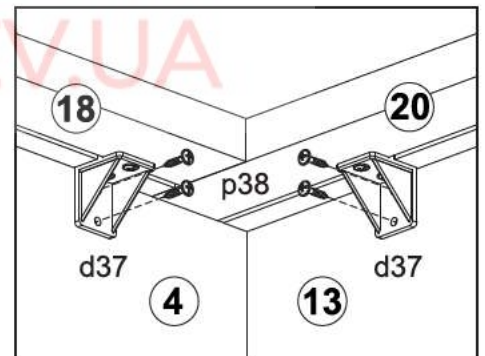
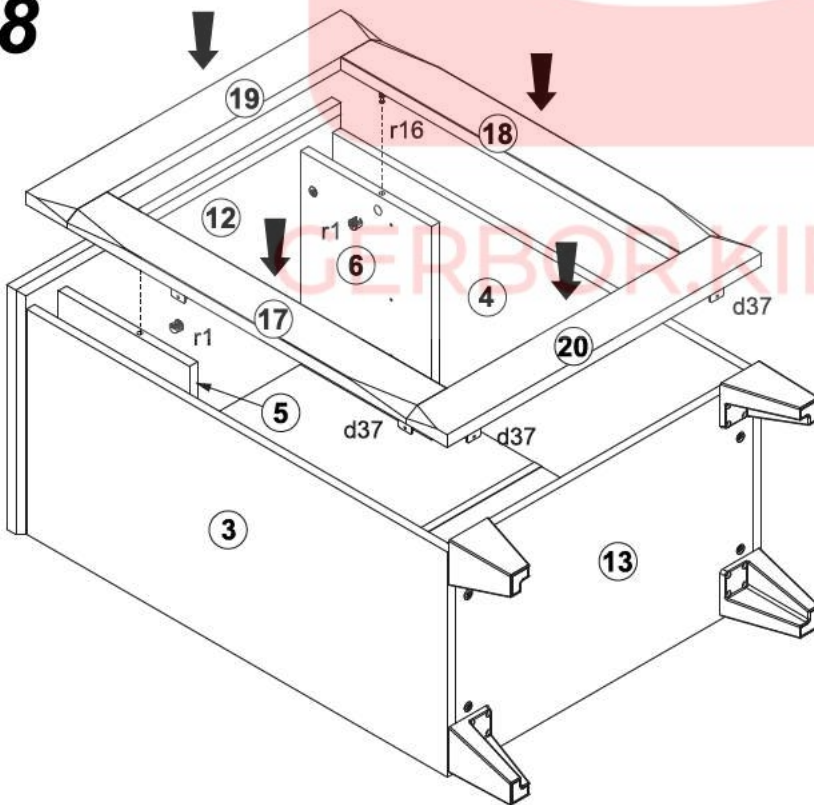
6



7

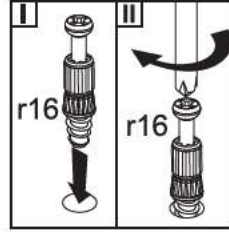
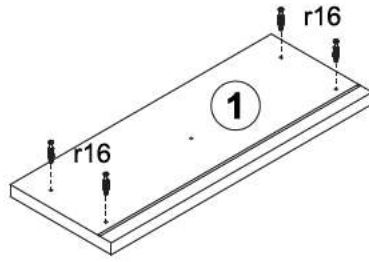


8

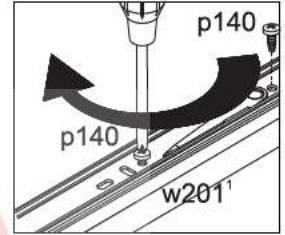
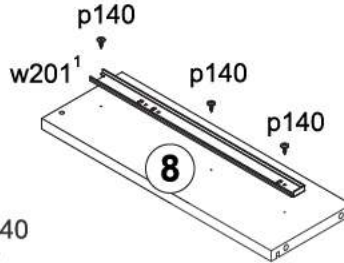
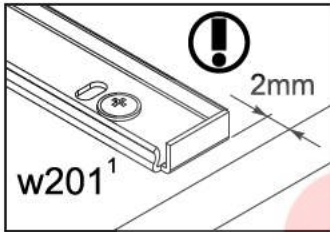


9

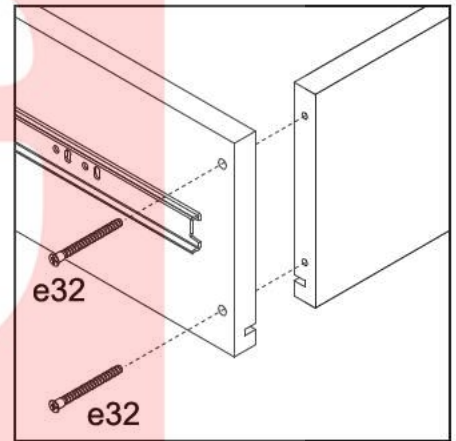
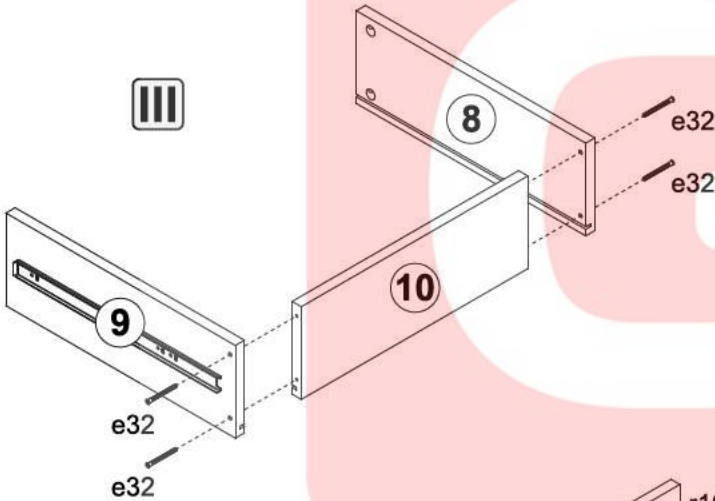
I



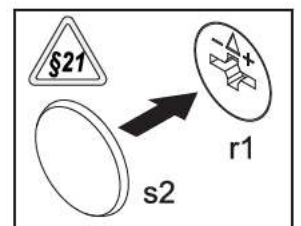
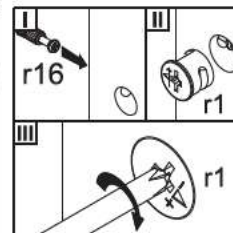
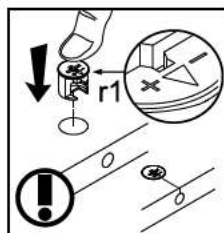
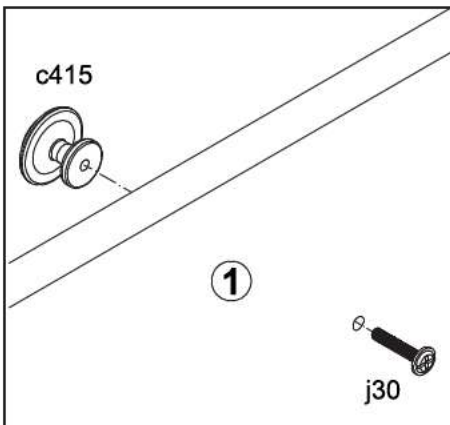
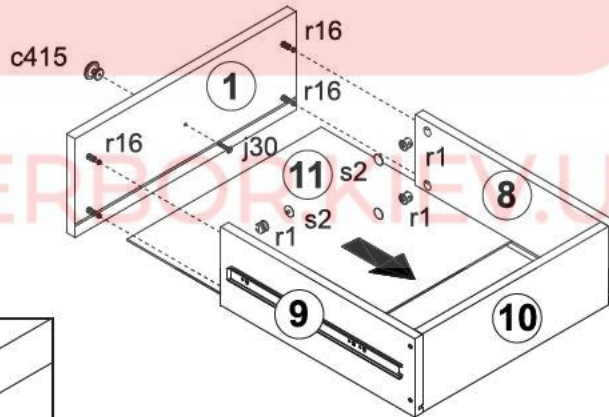
II



III

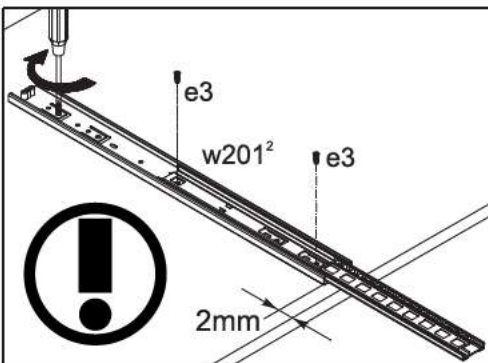
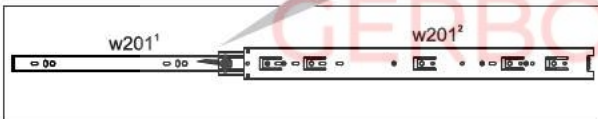
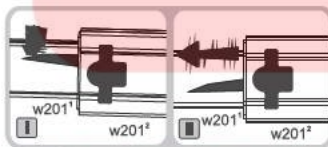
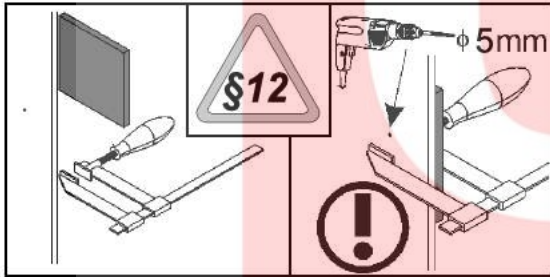
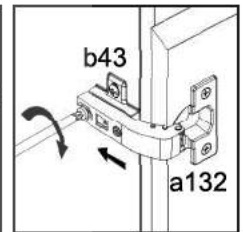
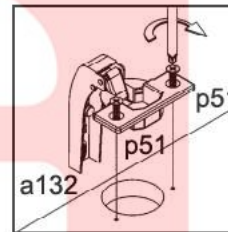
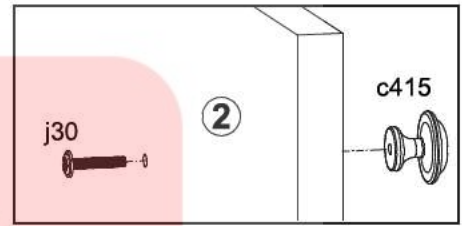
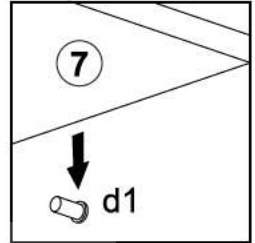
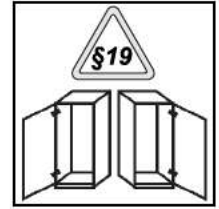
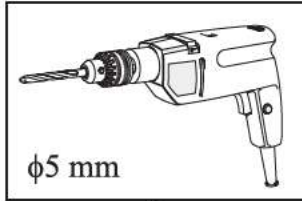
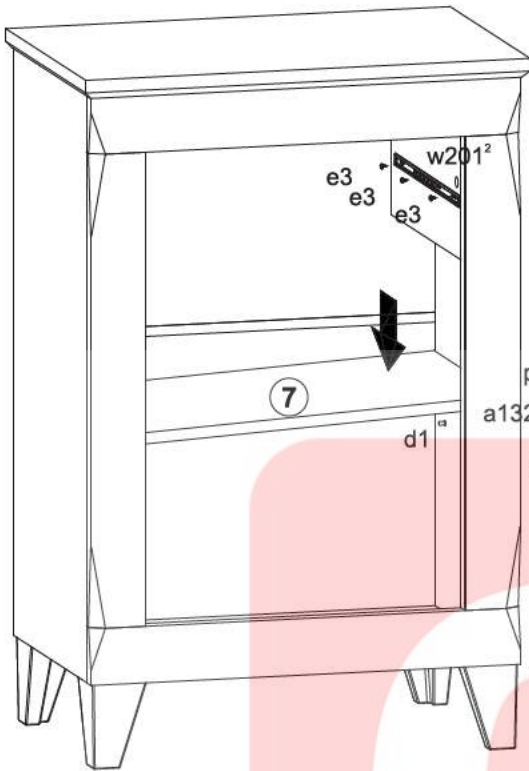


IV

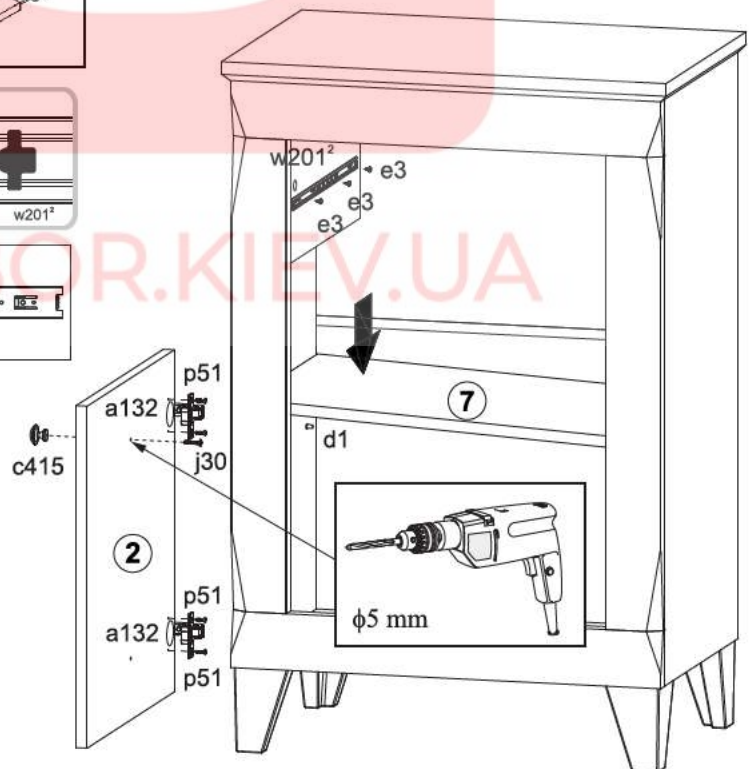


10

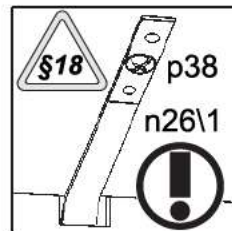
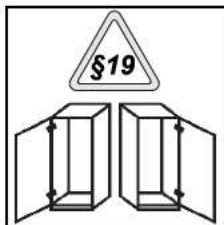
P



L



11



P

L

