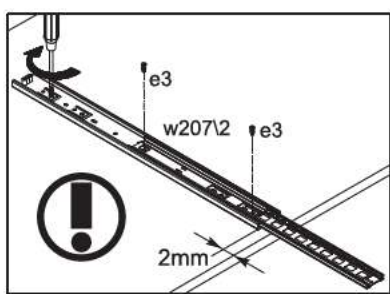
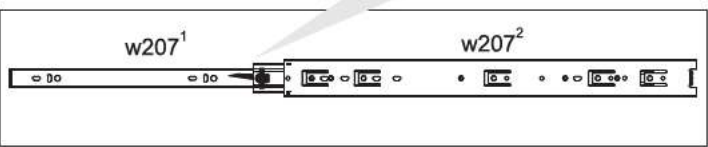
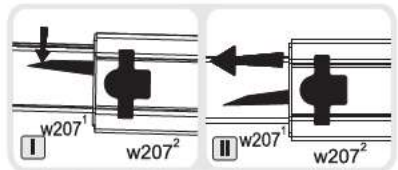
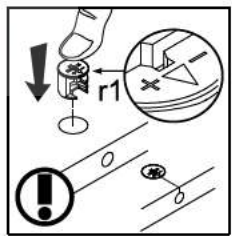
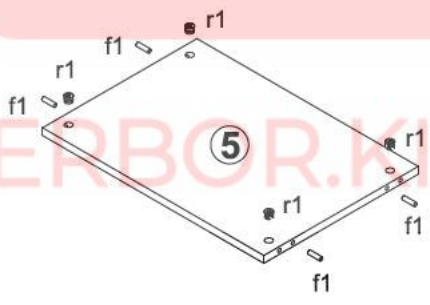
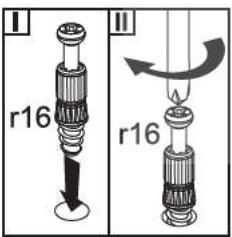
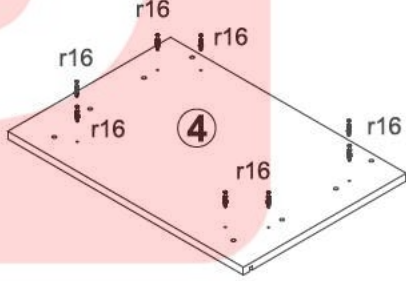
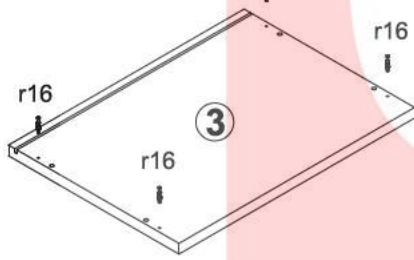
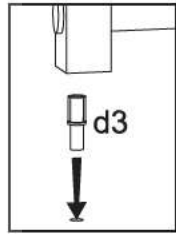
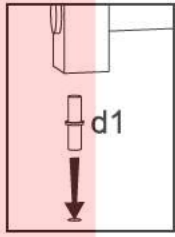
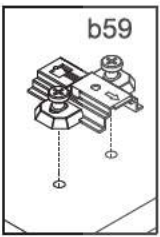
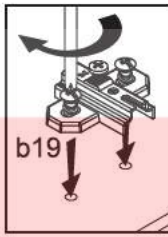
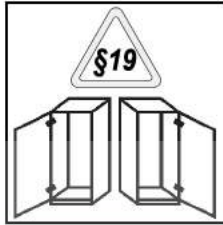
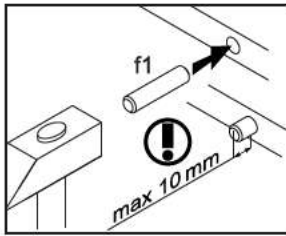
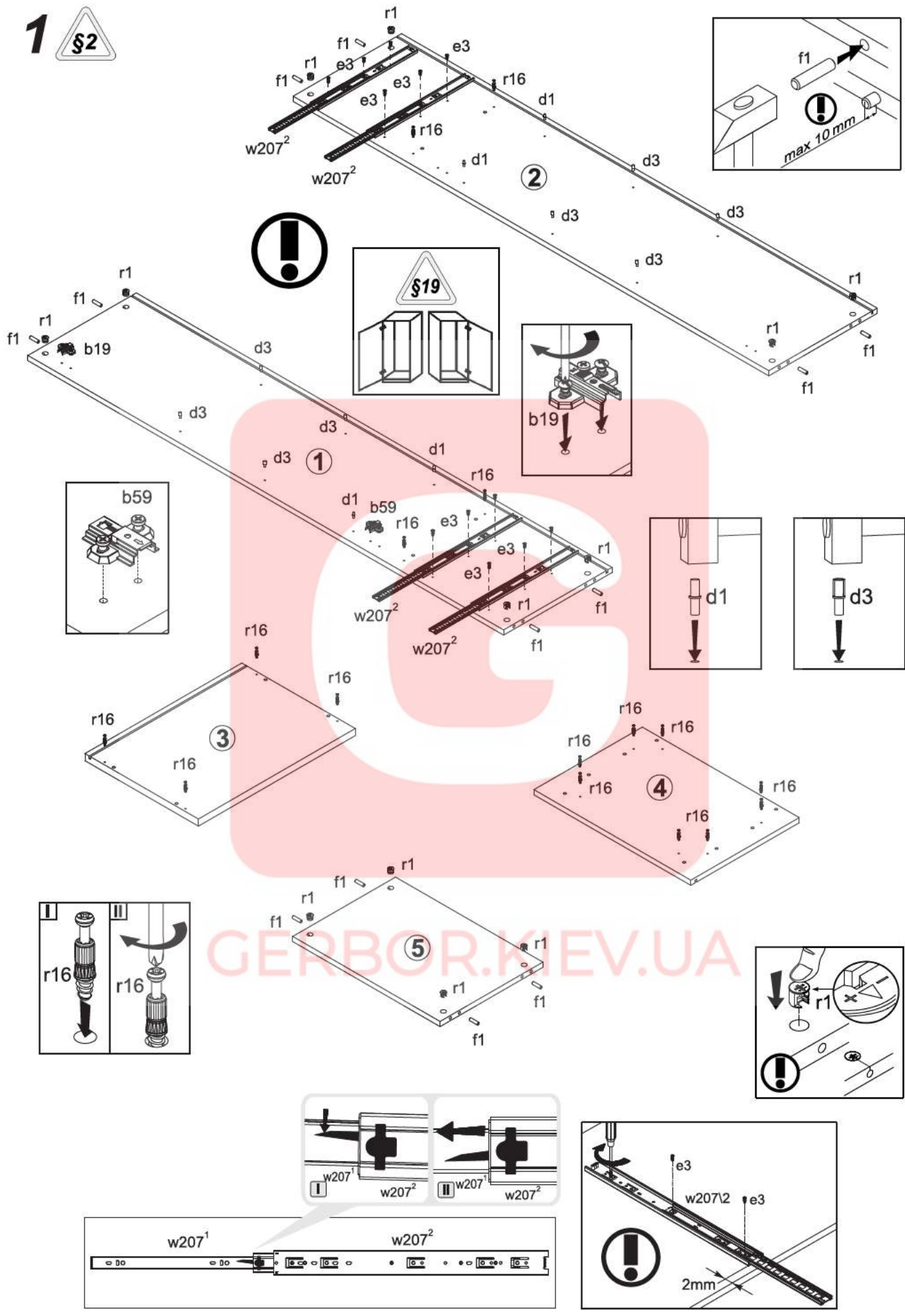
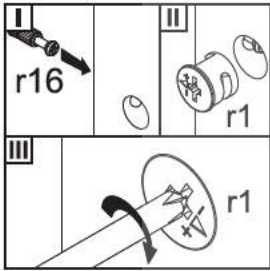
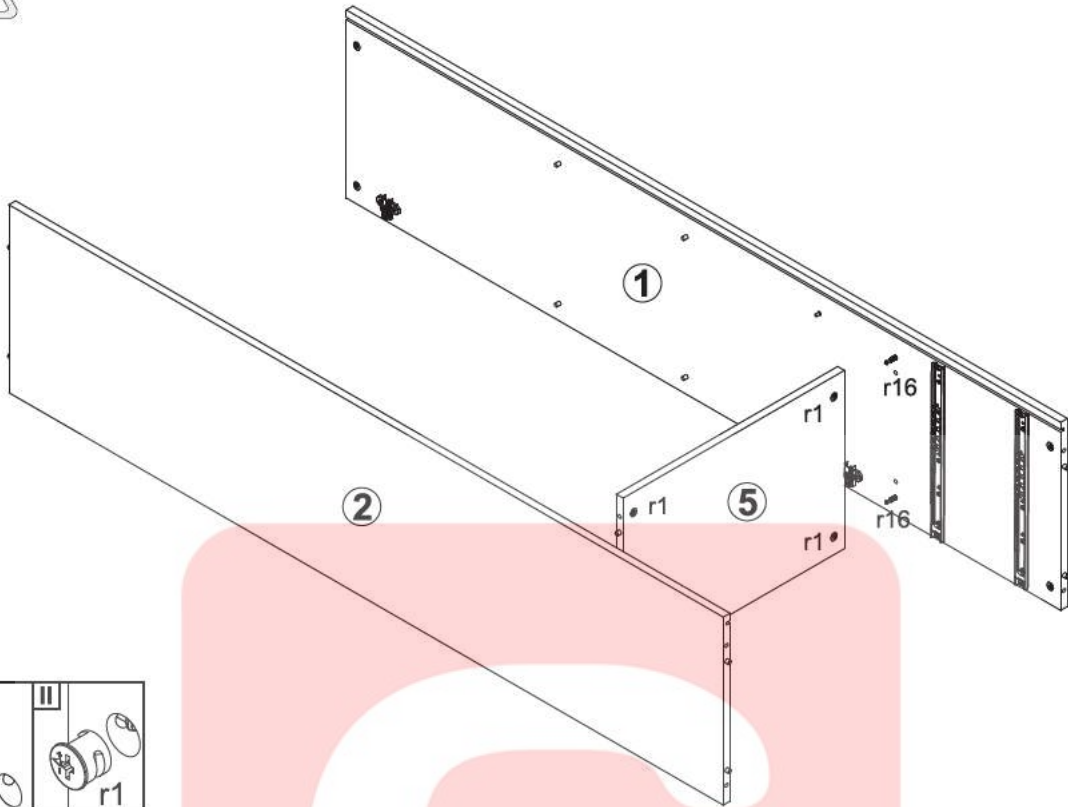


1x KO a44	1x a102	1x DS b19	1x D2 b59	3x c68	4x φ5x17 mm d1	8x φ5x17 mm d3	8x φ7x50 mm e1
12x φ6x13 mm e3	8x φ5x50 mm e32	24x φ8x30 mm f1	3x M4x25 mm j8	6x l1	14x l2	1x n26 ¹	2x o43/1
1x o43/6	10x φ4x30 mm p21	1x φ3,5x16 mm p38	4x φ3,5x15 mm p51	12x φ3,5x12 mm p140	28x φ15x12mm #16 r1	28x 20/9 r16	
12x ø16 s2	5x ø5 s4	4x 350 mm w207 ²	4x 350 mm w207 ¹	1x z1		1x	

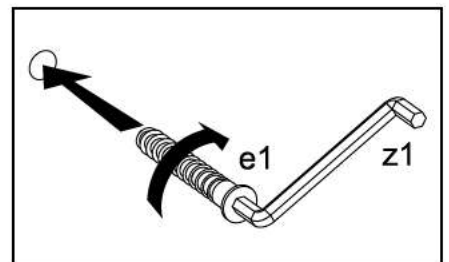
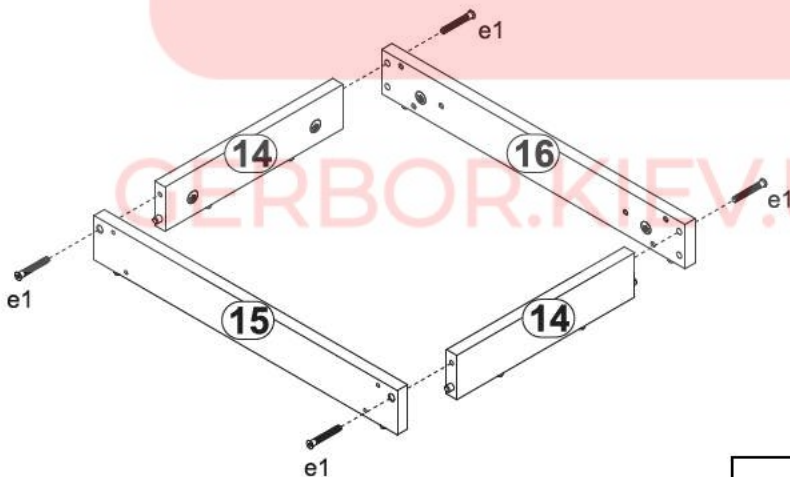
1 §2



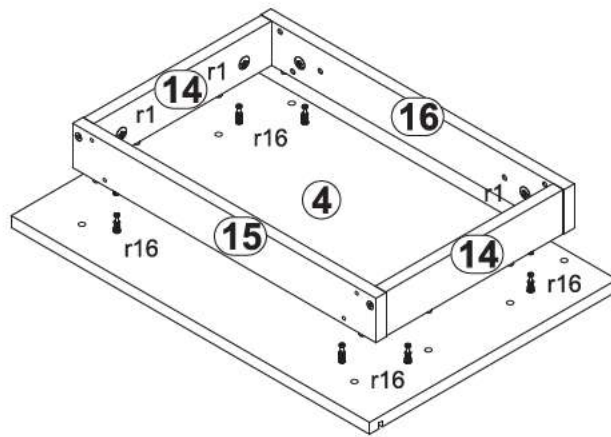
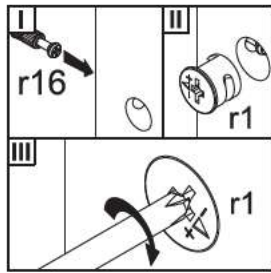
2



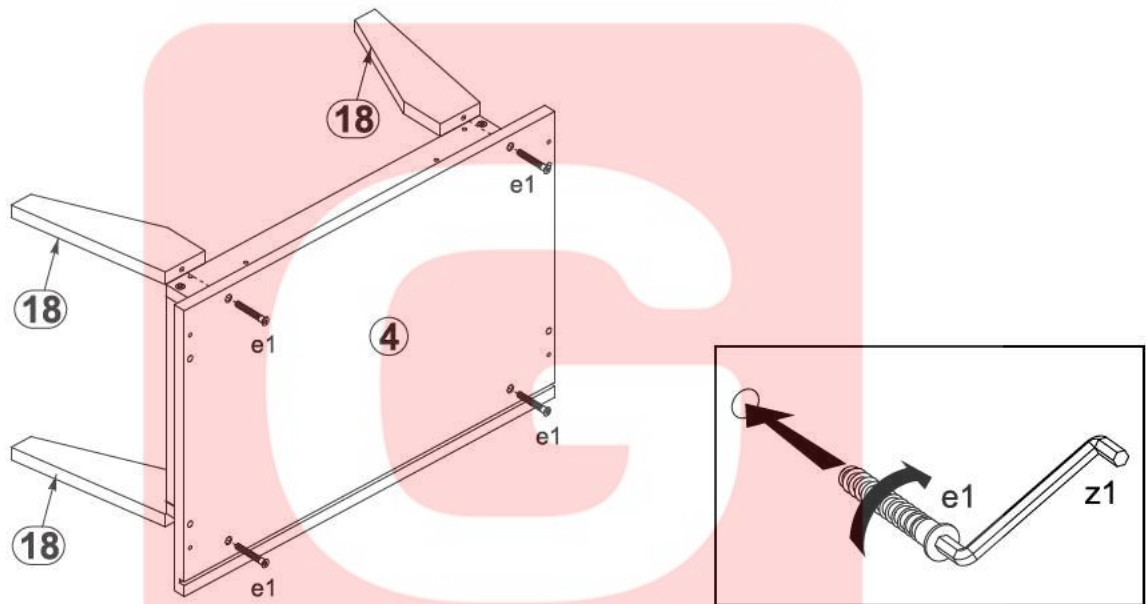
3



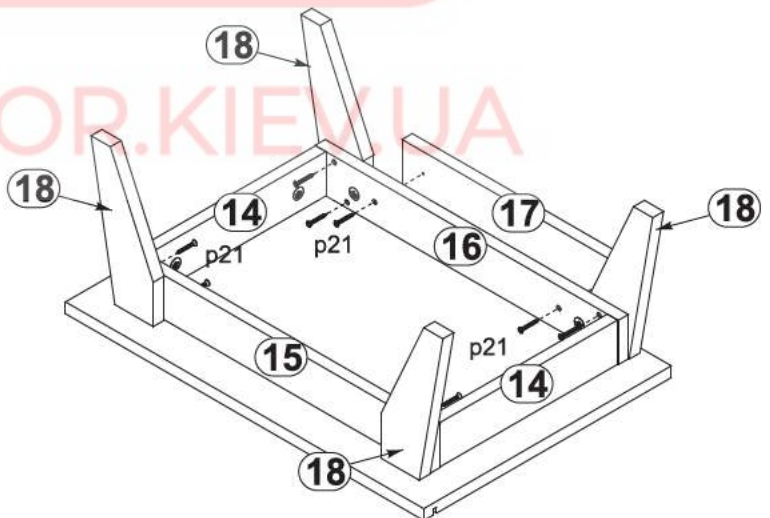
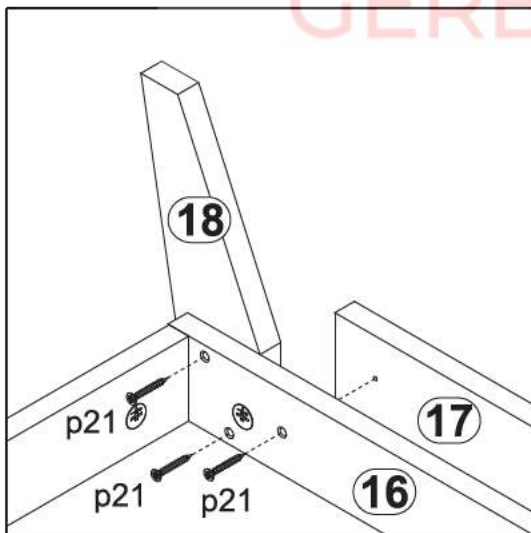
4



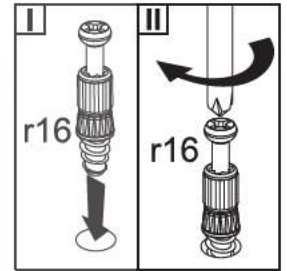
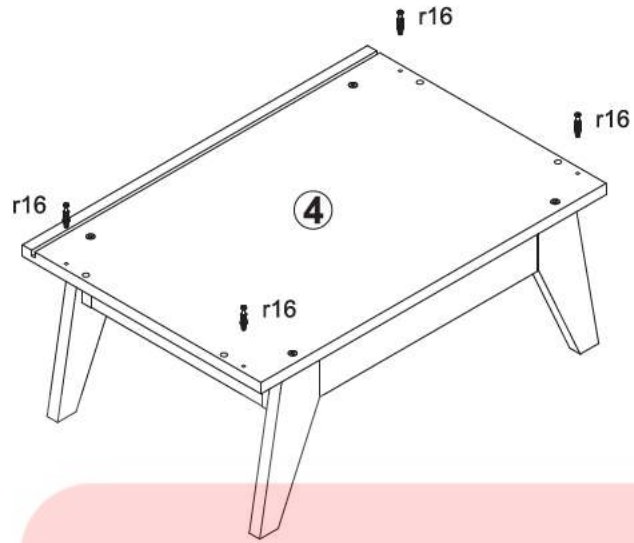
5



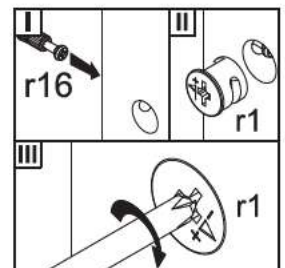
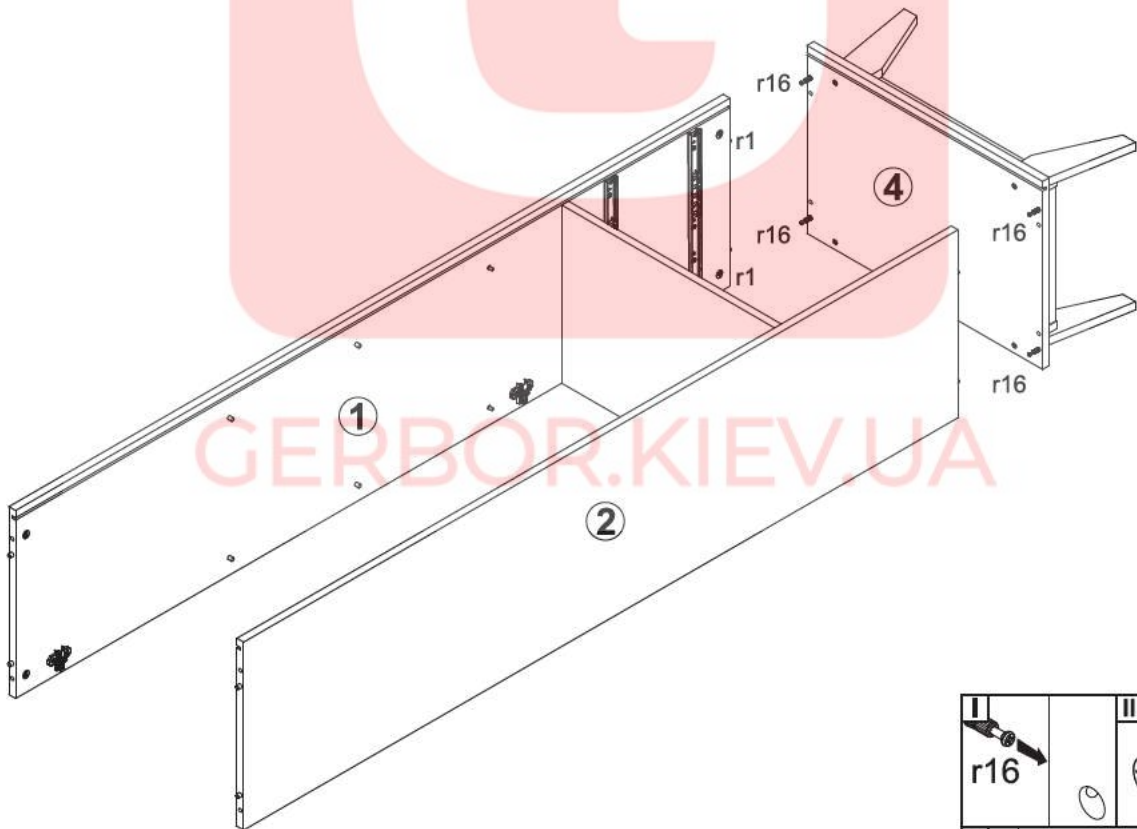
6

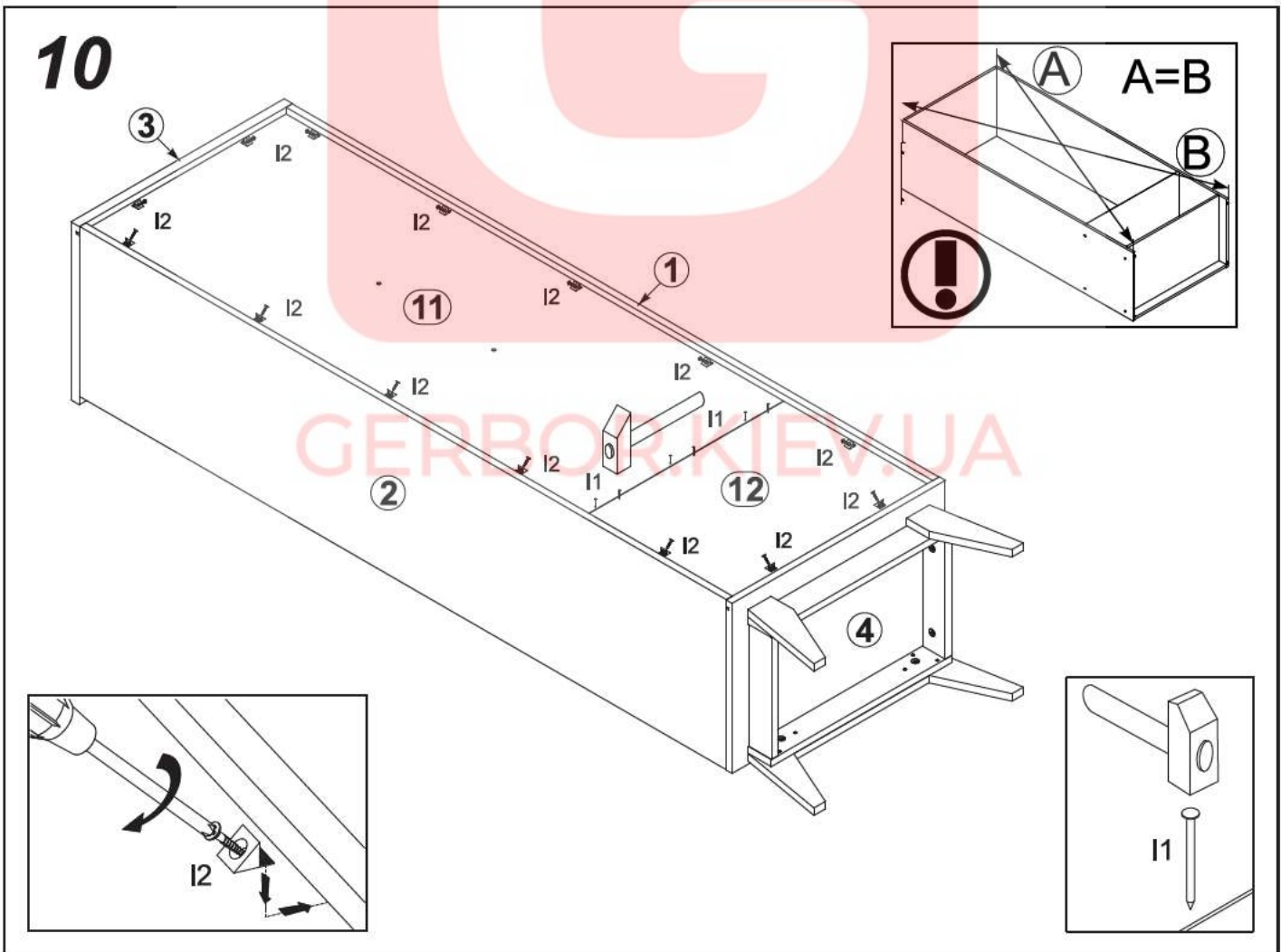
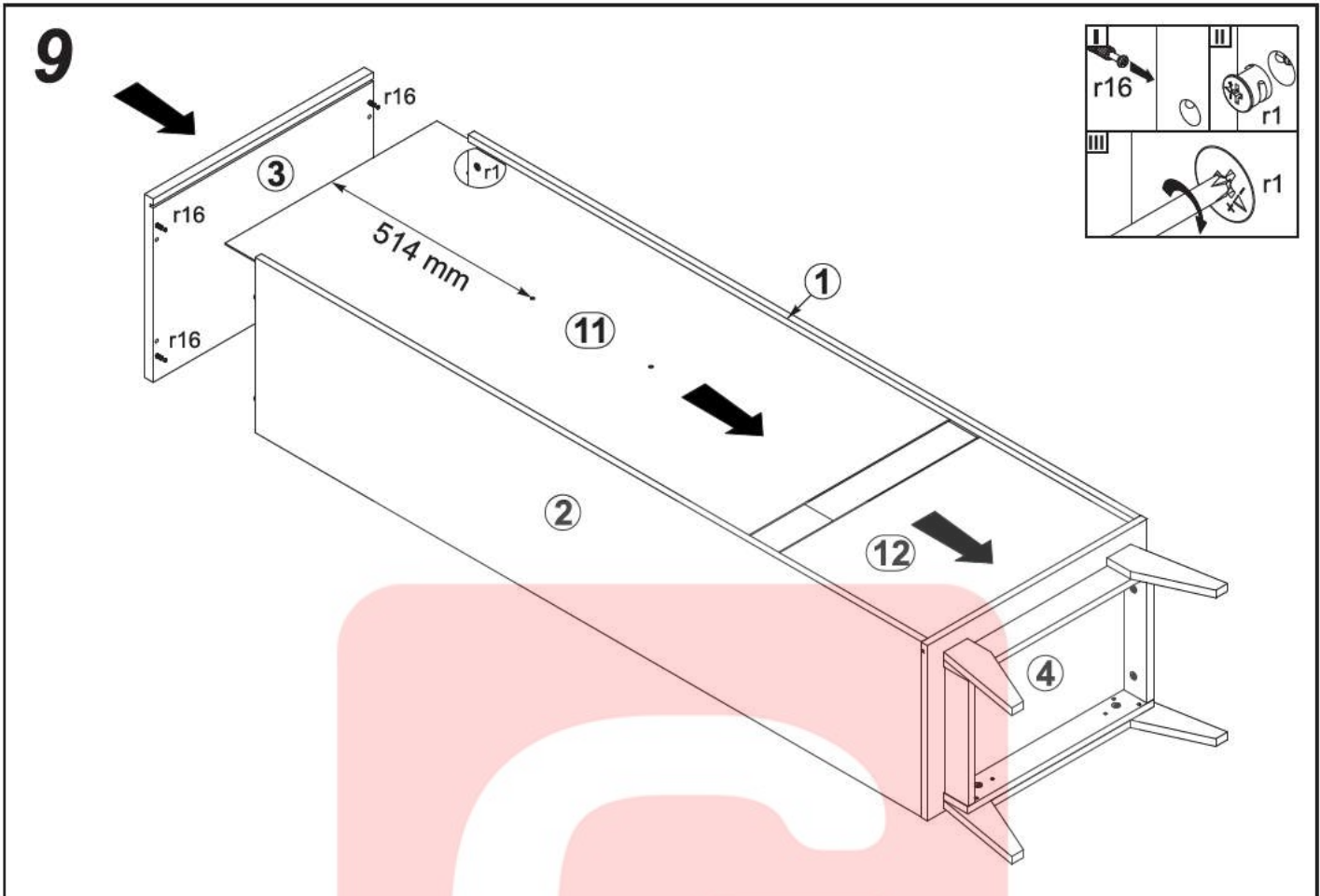


7

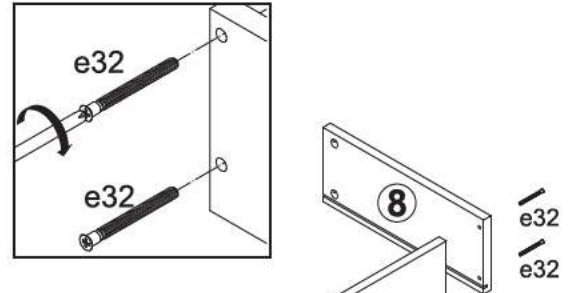
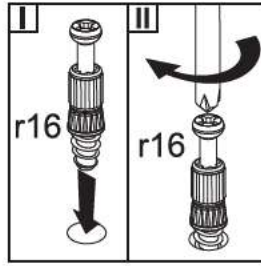
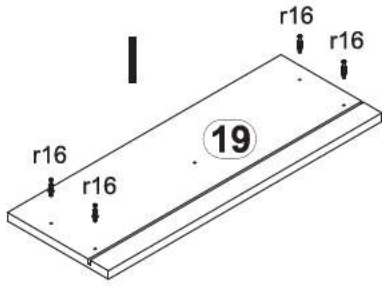


8

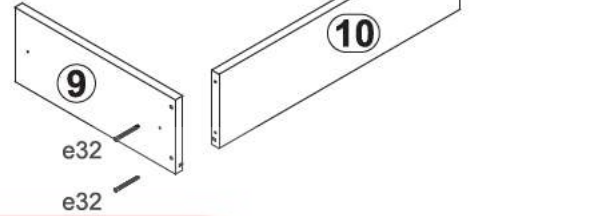




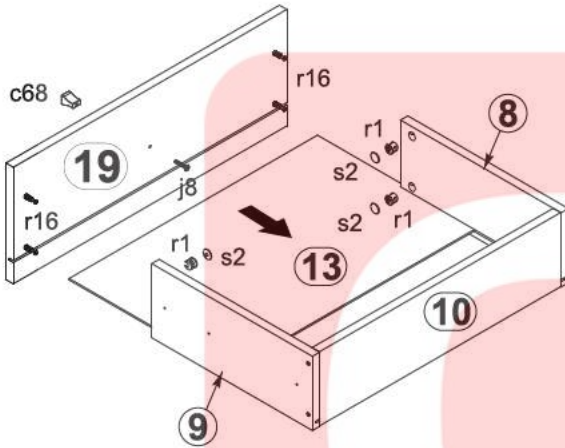
11



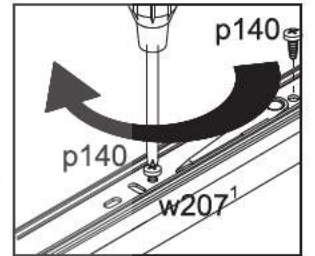
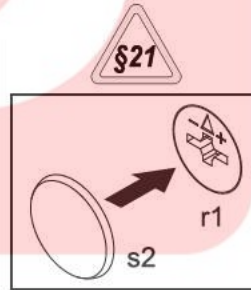
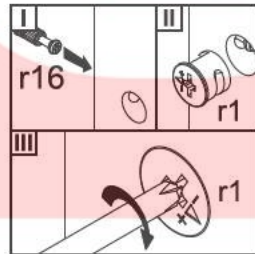
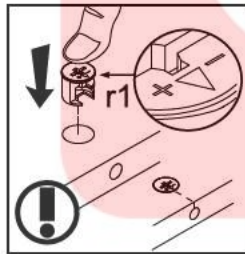
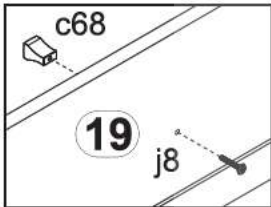
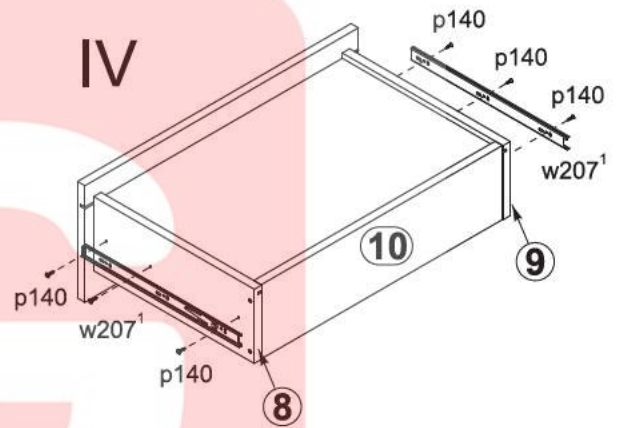
II



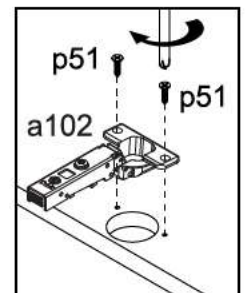
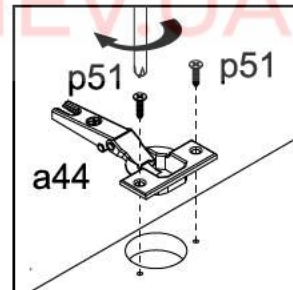
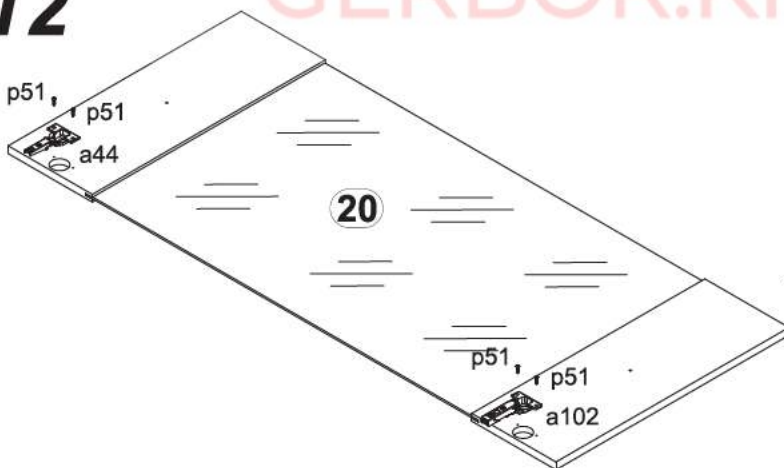
III



IV



12



13

