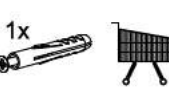
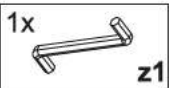
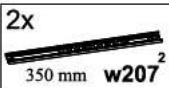
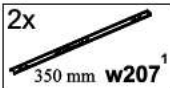
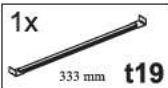
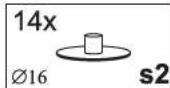
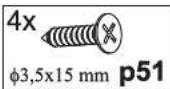
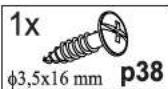
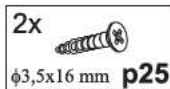
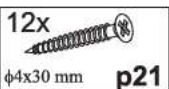
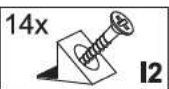
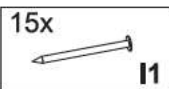
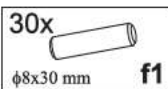
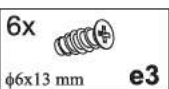
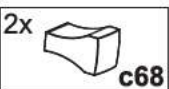
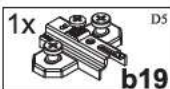
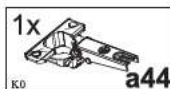
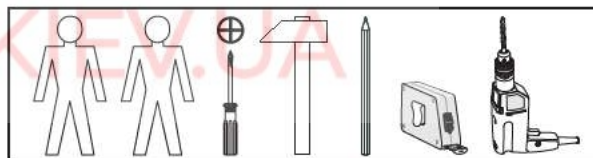
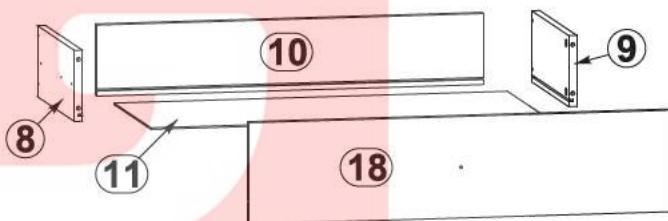
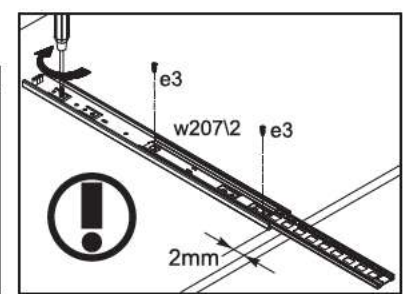
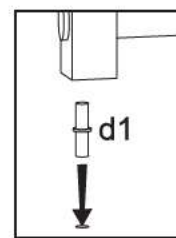
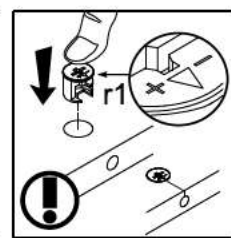
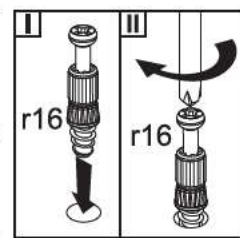
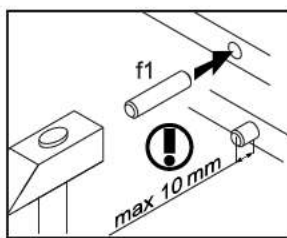
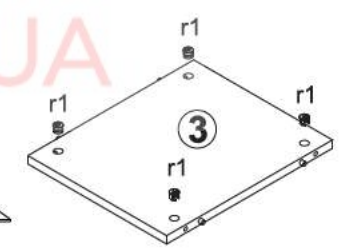
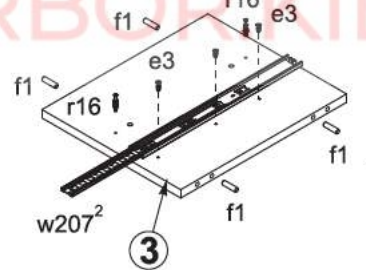
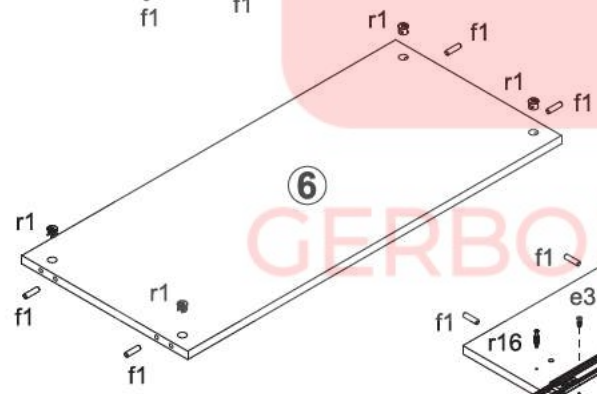
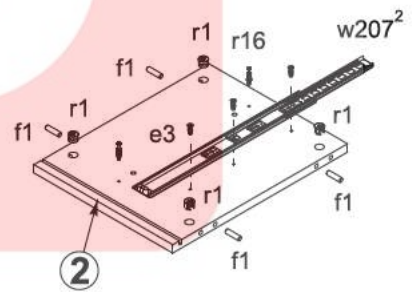
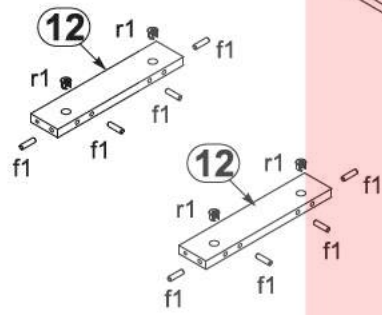
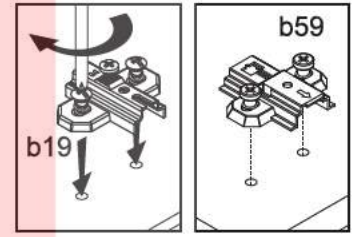
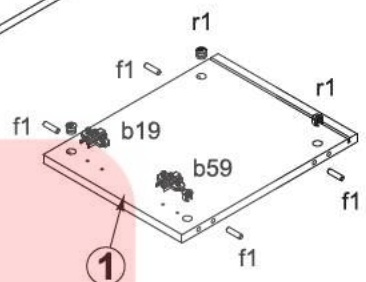
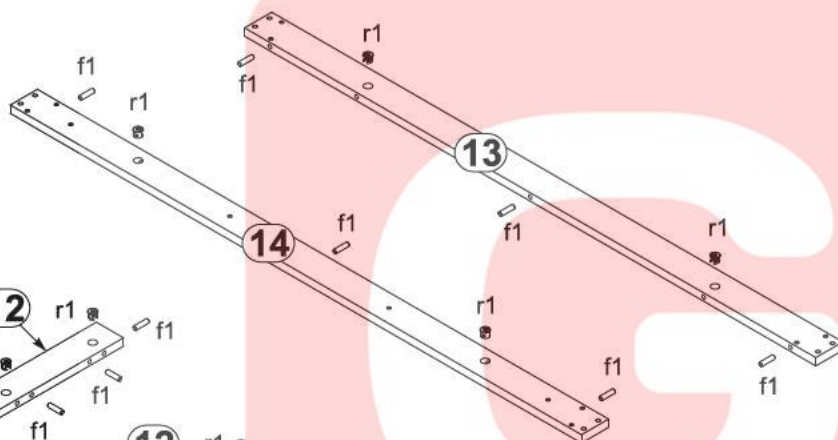
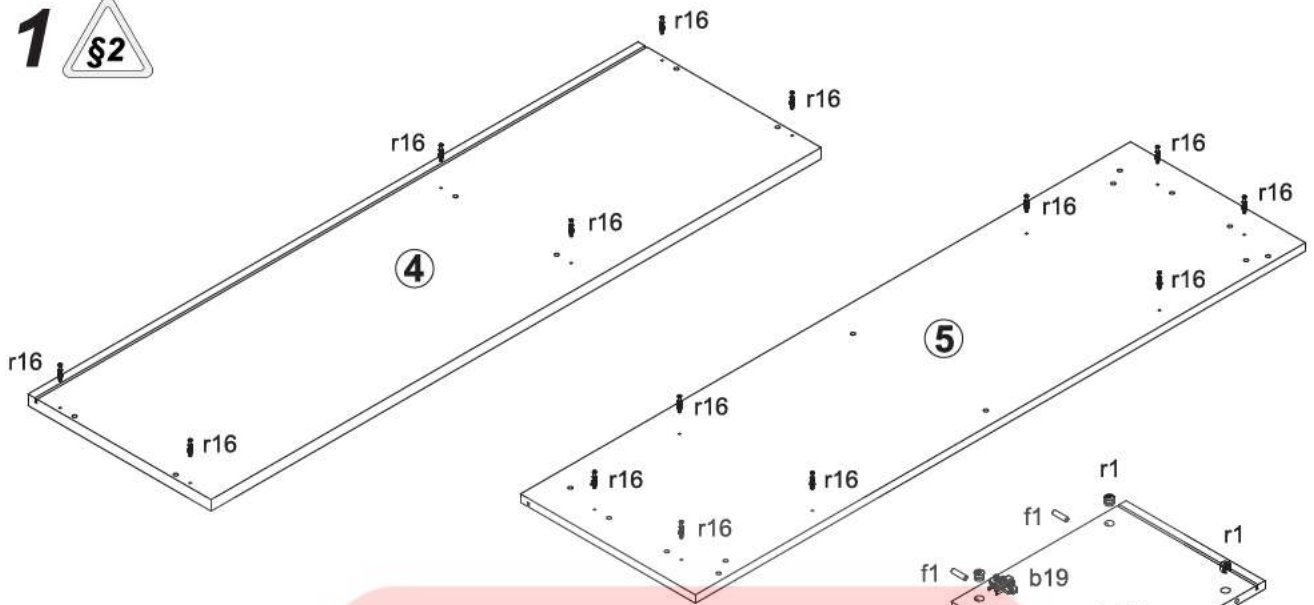


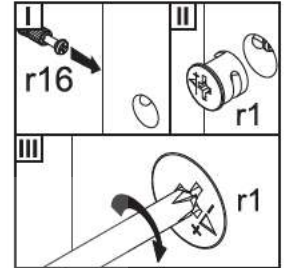
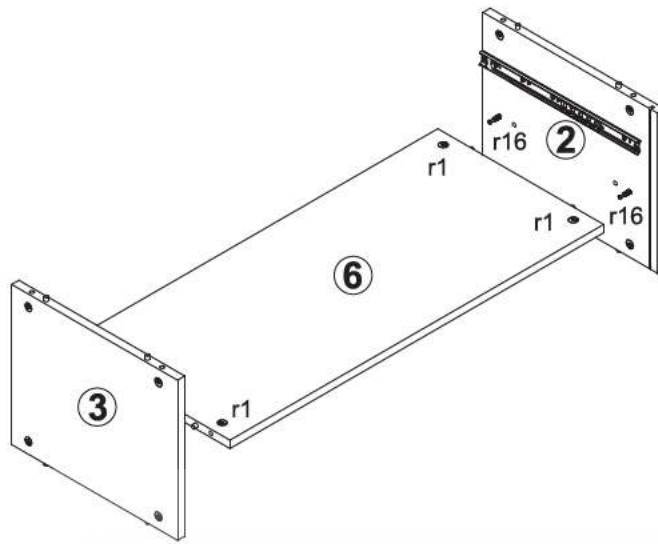
A	B	C		D
1	TA1-101	307	387	1/2
2	TA1-102	307	387	1/2
3	TA1-103	307	367	1/2
4	TA1-201	1350	405	1/2
5	TA1-202	1350	387	1/2
6	TA1-301	827	367	1/2
7	TA1-902	1330	321	1/2
8	TA1-551	350	140	1/2
9	TA1-552	350	140	1/2
10	TA1-553	769	140	1/2
11	TA1-901	784	349	1/2
12	TA1-402	278	60	1/2
13	TA1-403	1264	60	1/2
14	TA1-401	1264	60	1/2
15	TA1-404	1144	60	1/2
16	TA1-510	210	97	1/2
17	TA1-001	497	317	2/2
18	TA1-002	844	200	2/2



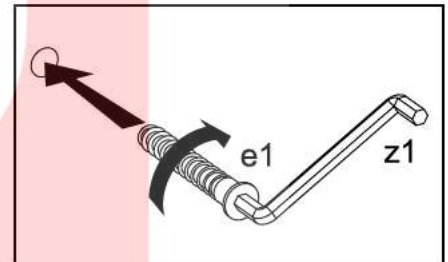
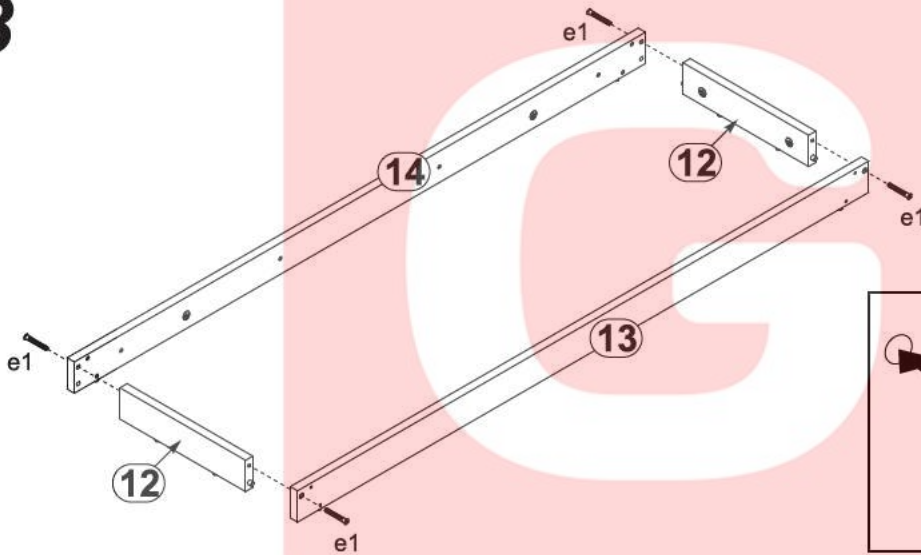
1 



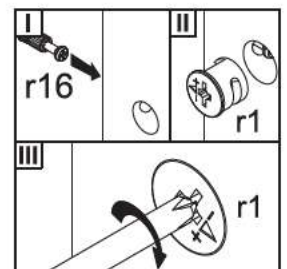
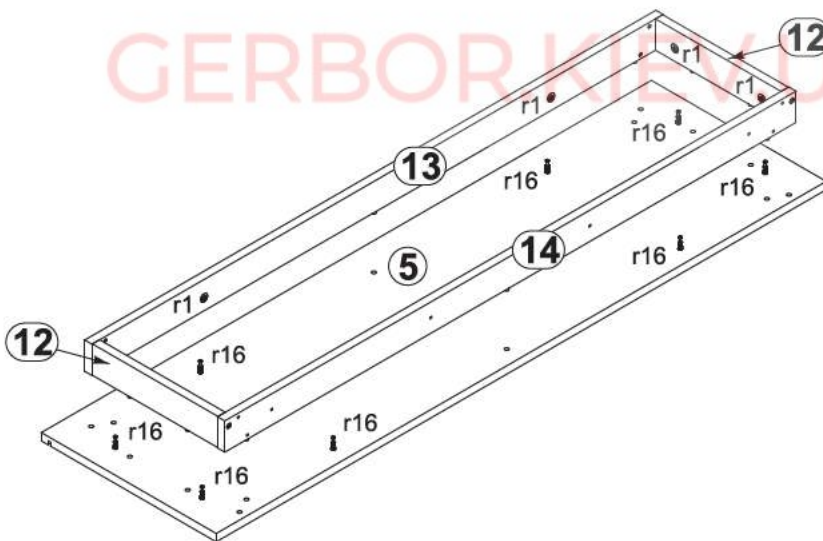
2



3

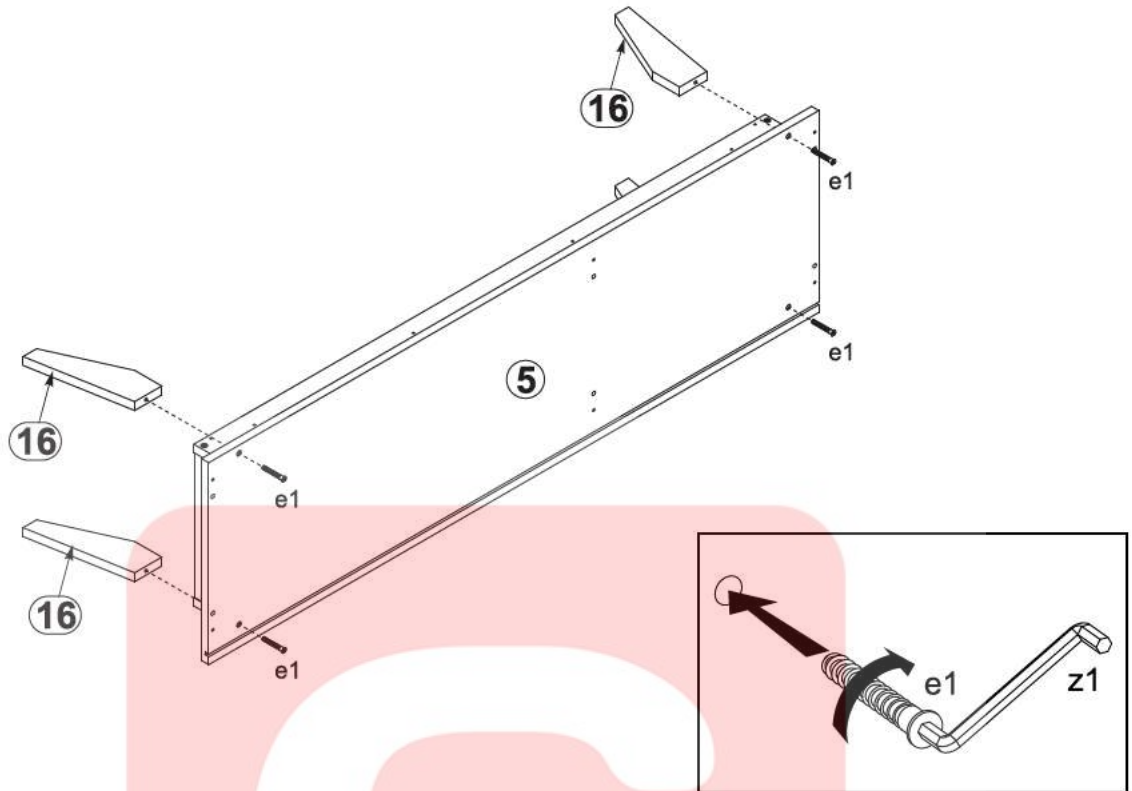


4

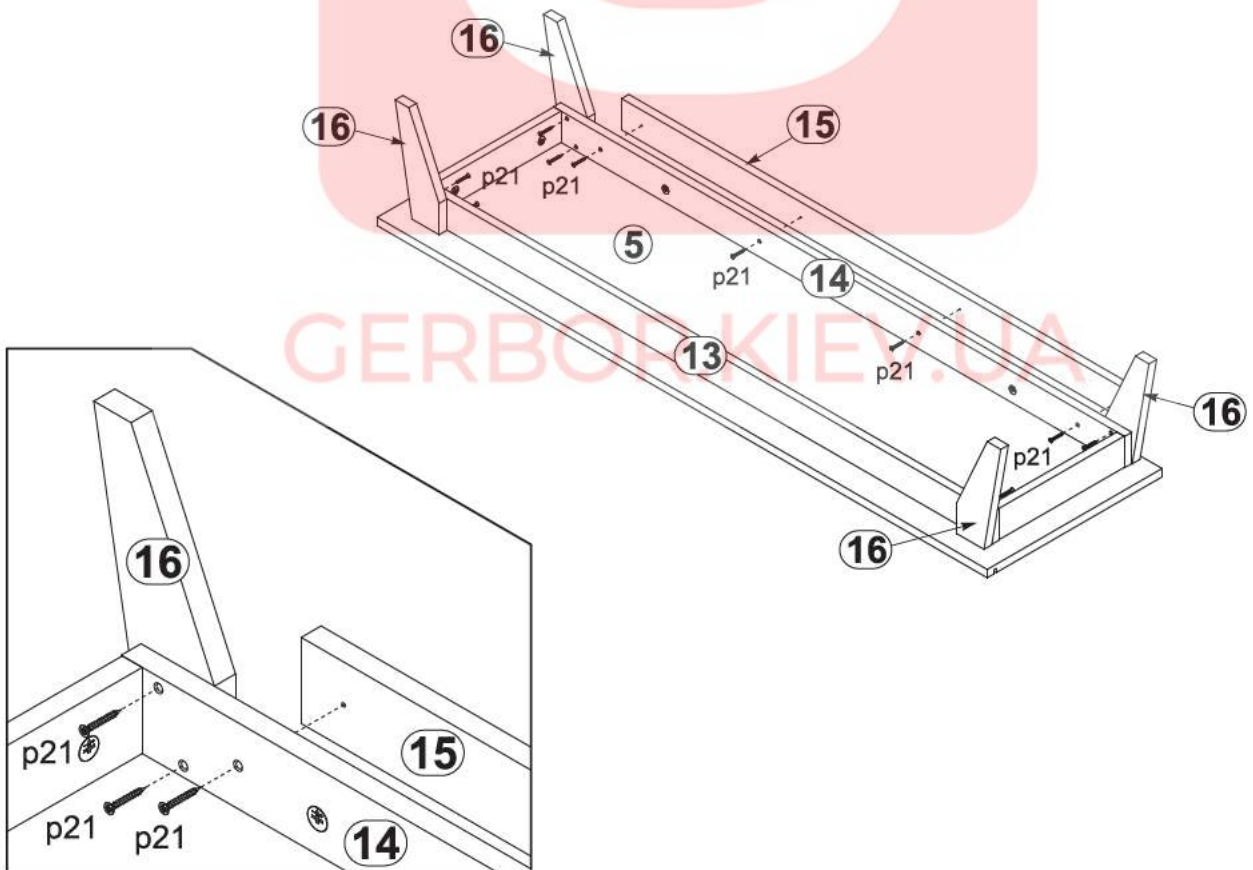




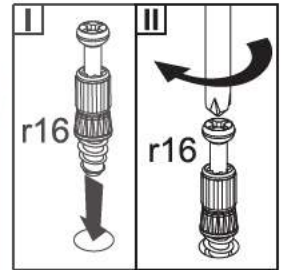
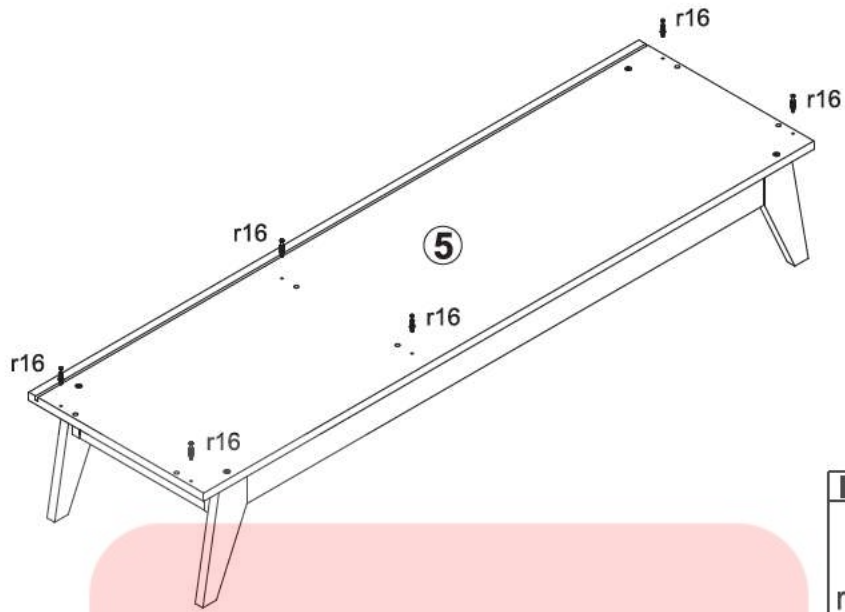
# 5



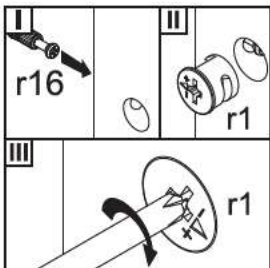
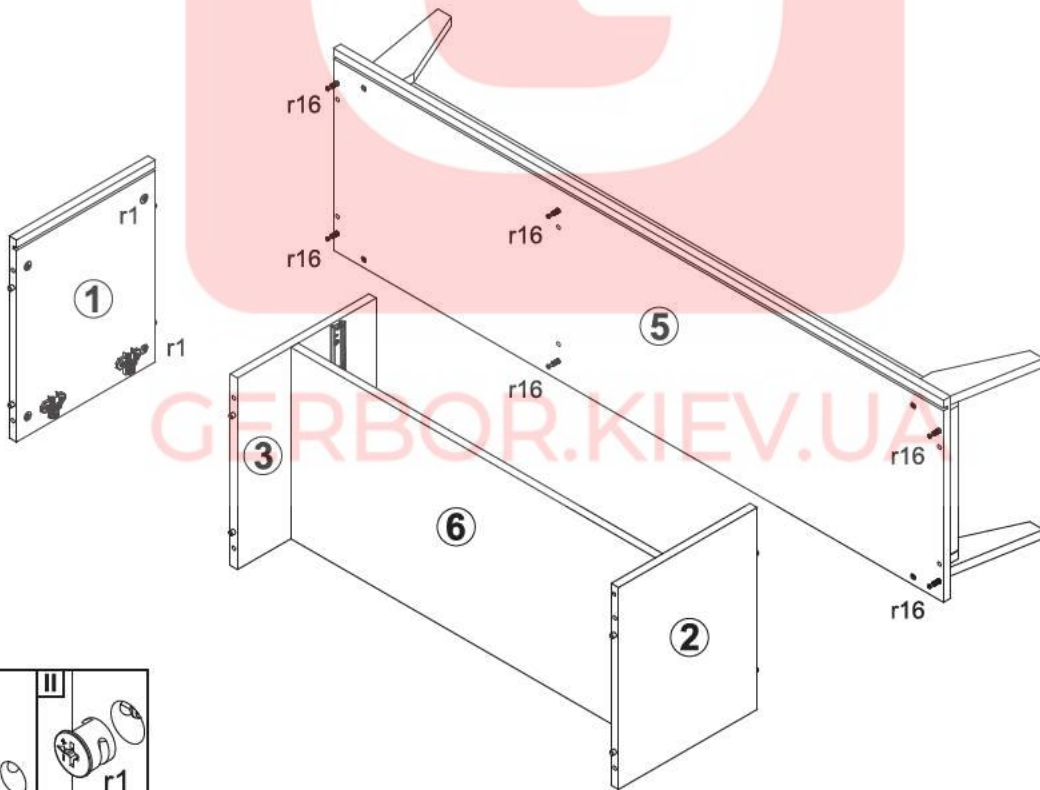
# 6



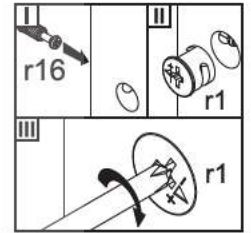
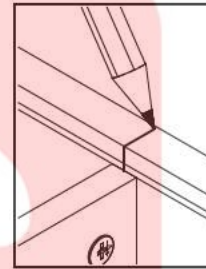
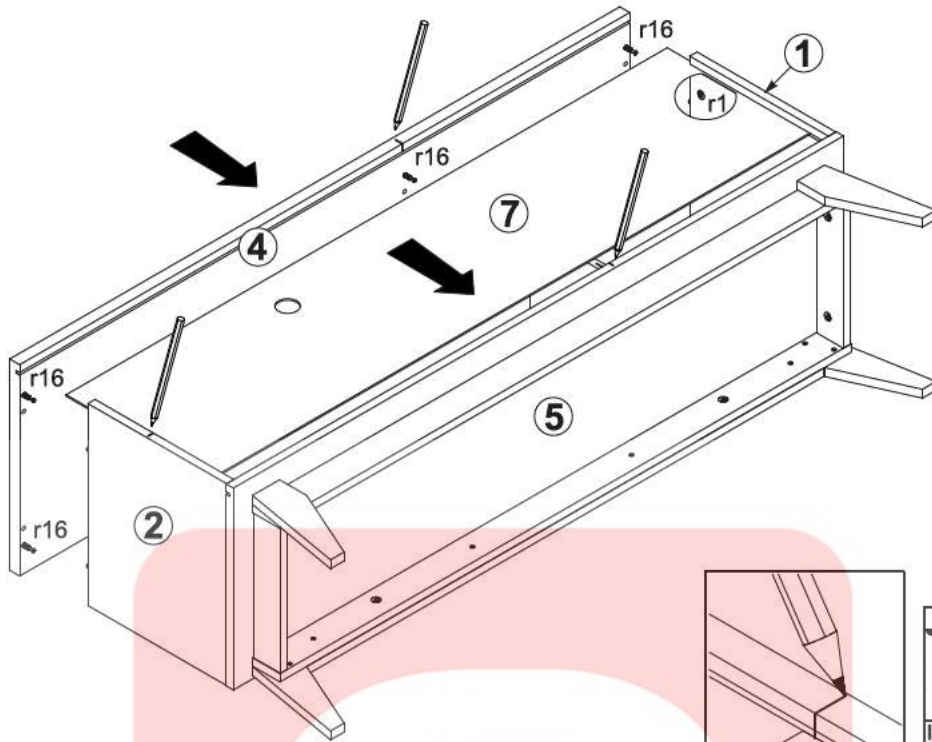
# 7



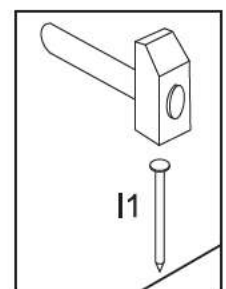
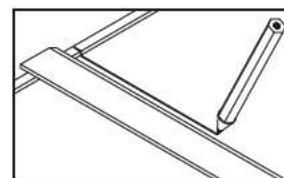
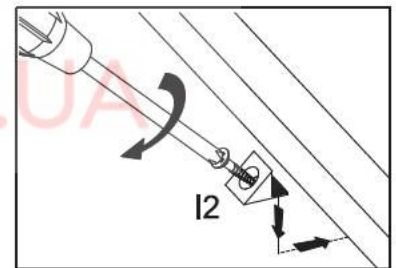
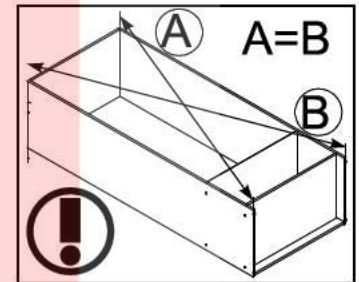
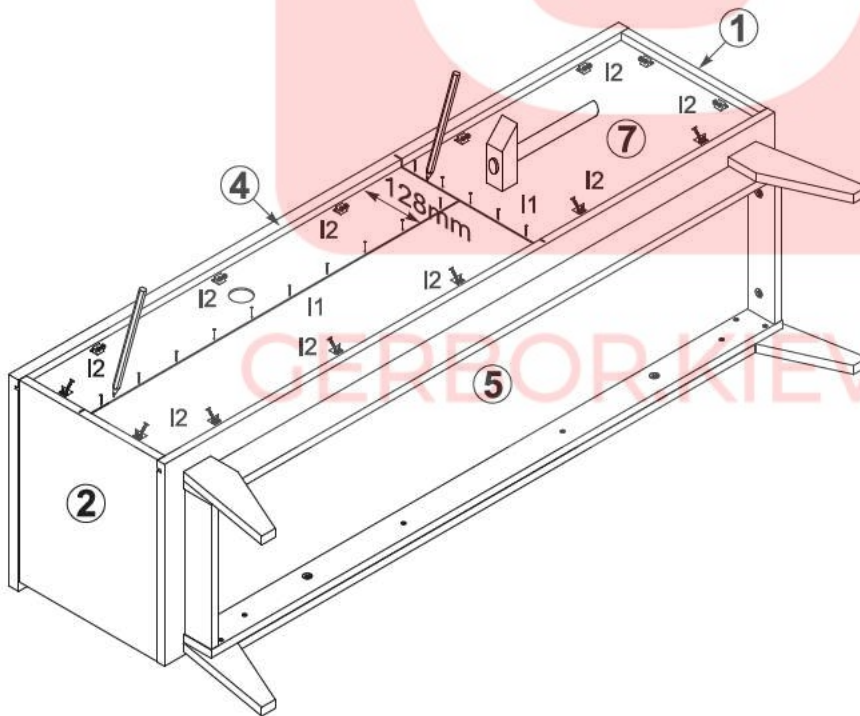
# 8



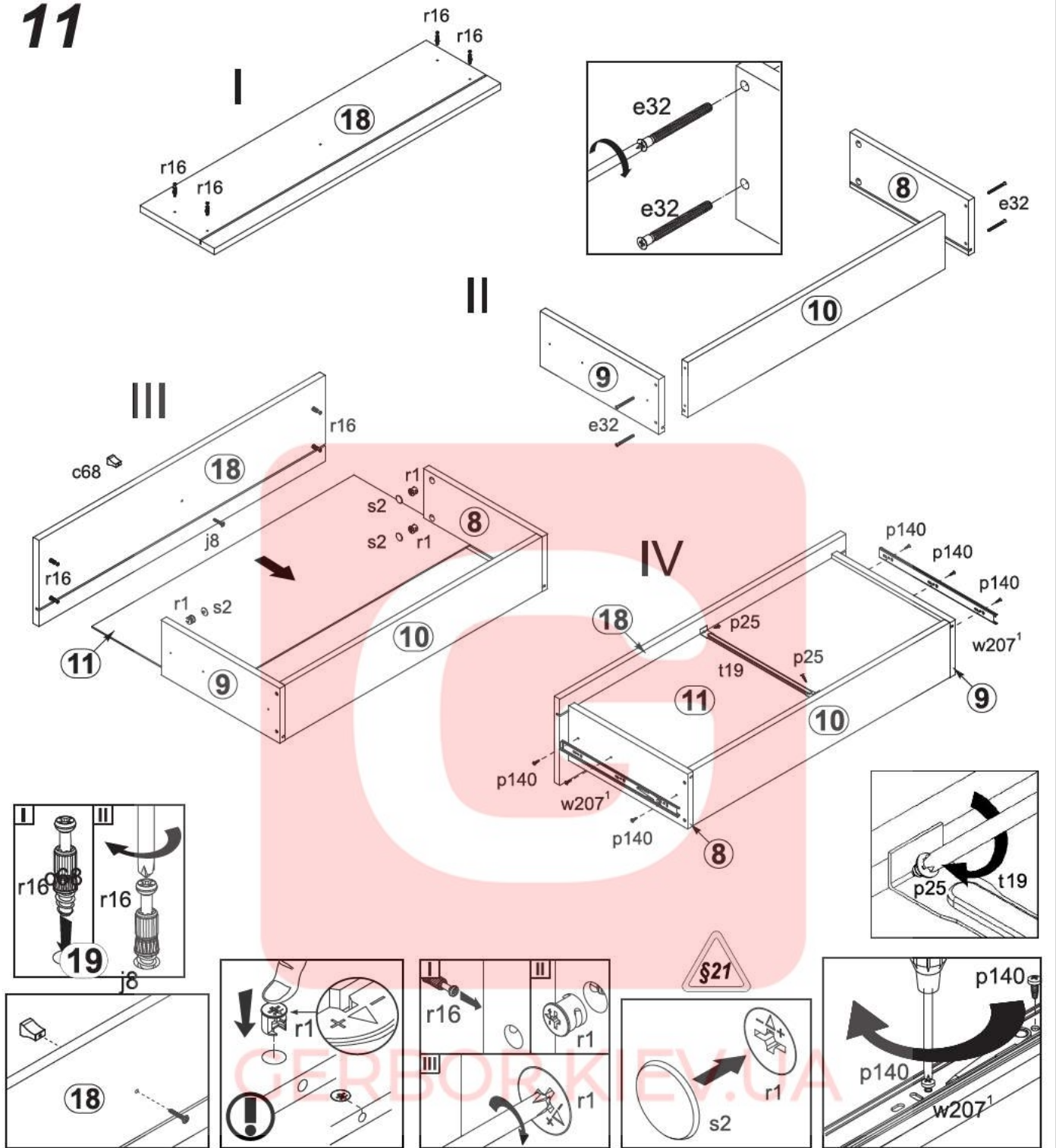
# 9



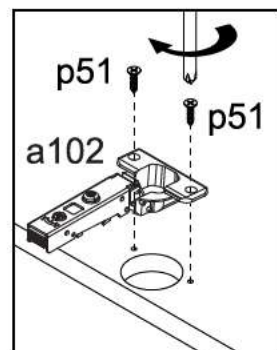
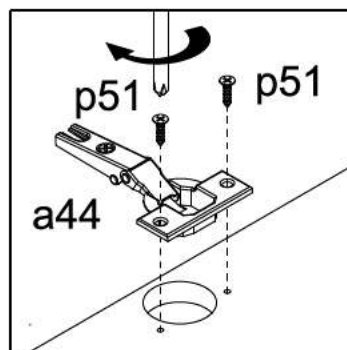
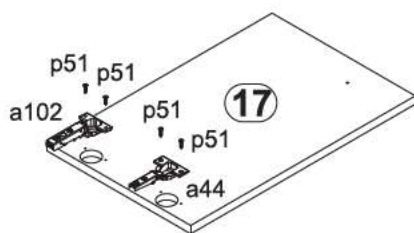
# 10



# 11

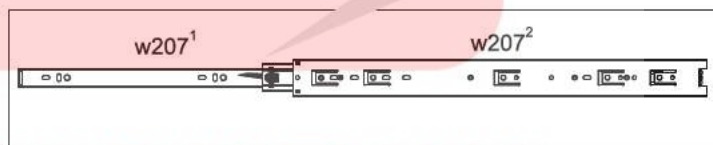
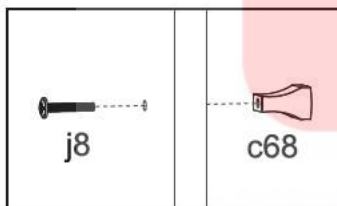
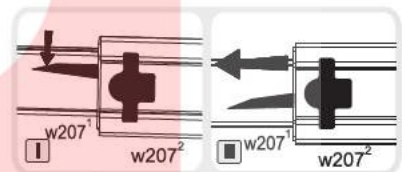
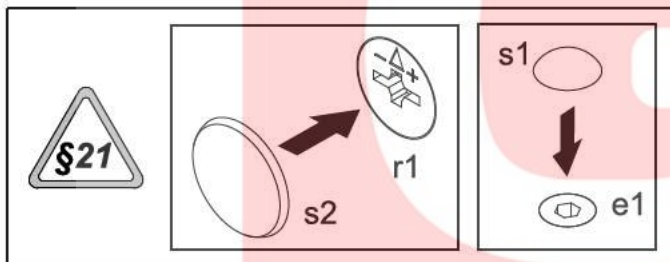
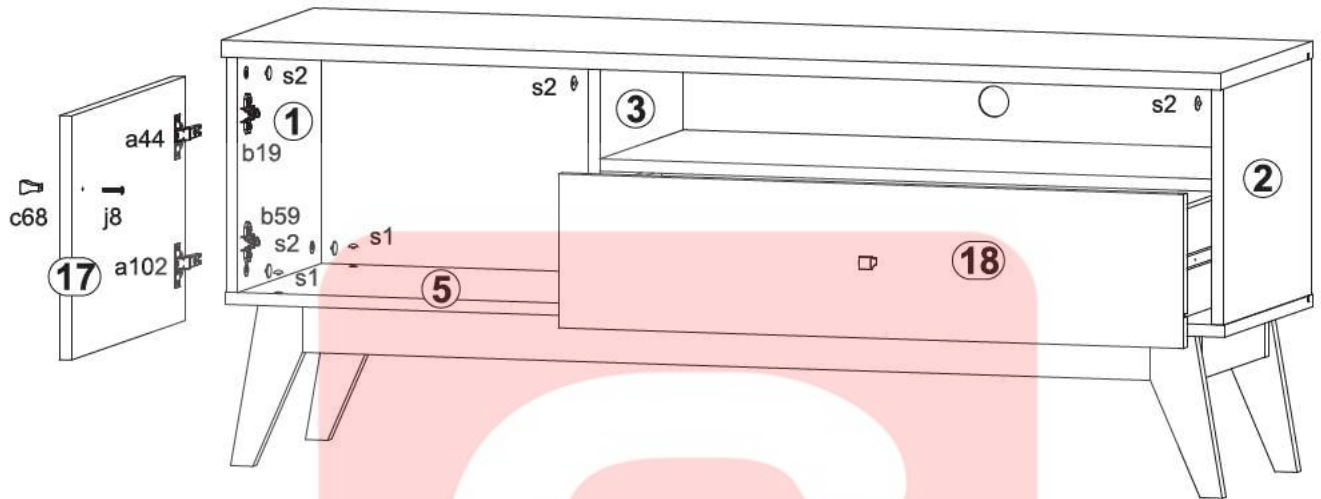
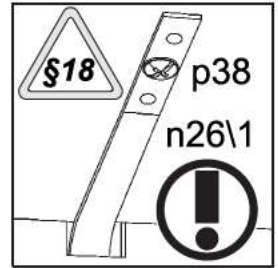
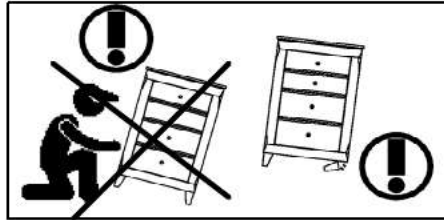


# 12





# 13



GERBOR.KIEV.UA

