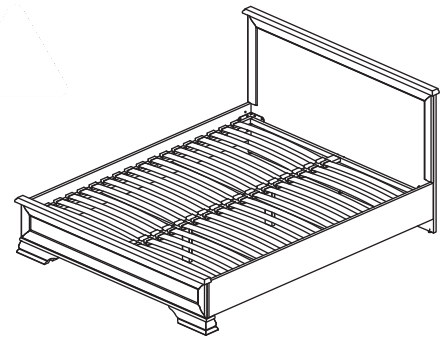


S320-LOZ 140x200 S320-LOZ 160x200 S320-LOZ180x200

S320-LOZ 140x200

A	B	C	D	
1	S320-068	1450	773	2/6
2	S320-067	1450	257	1/6
3	S320-265	1490	70	3/6
4	S320-266	1462	77	3/6
5	S320-282	1490	70	3/6
6	S320-435	2000	255	4/6
7	S320-443	2000	255	4/6
8	S320-4429	1400	80	4/6
9	S320-512	350	112	5/6



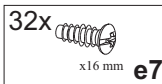
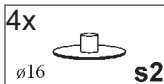
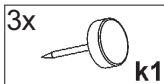
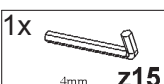
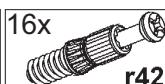
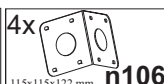
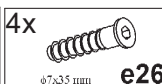
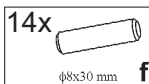
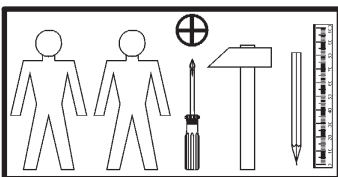
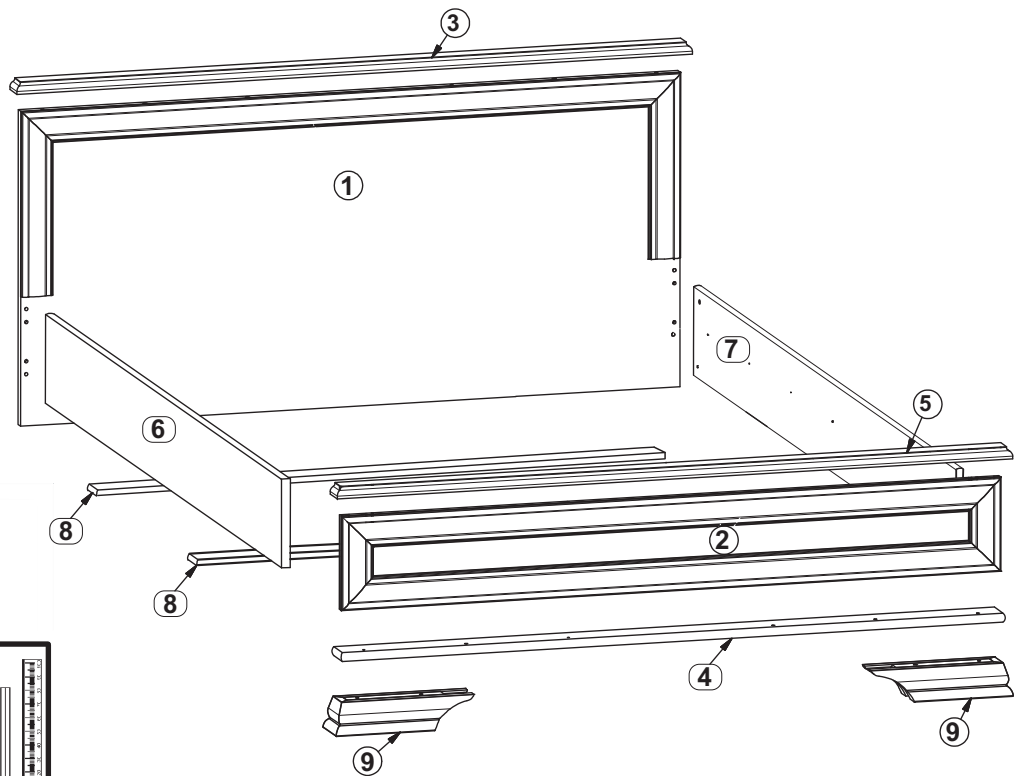
S320-LOZ 160x200

A	B	C	D	
1	S320-064	1650	977	2/6
2	S320-065	1650	257	1/6
3	S320-274A	1690	70	3/6
4	S320-275	1662	77	3/6
5	S320-283A	1690	70	3/6
6	S320-435	2000	255	4/6
7	S320-443	2000	255	4/6
8	S320-444	1600	80	4/6
9	S320-512	350	112	5/6

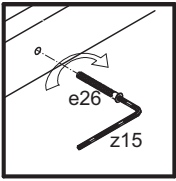
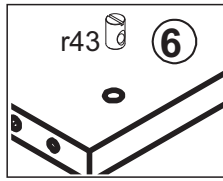
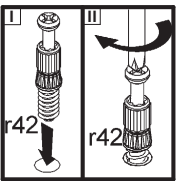
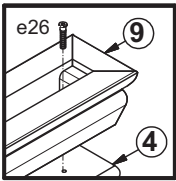
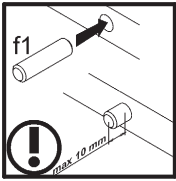
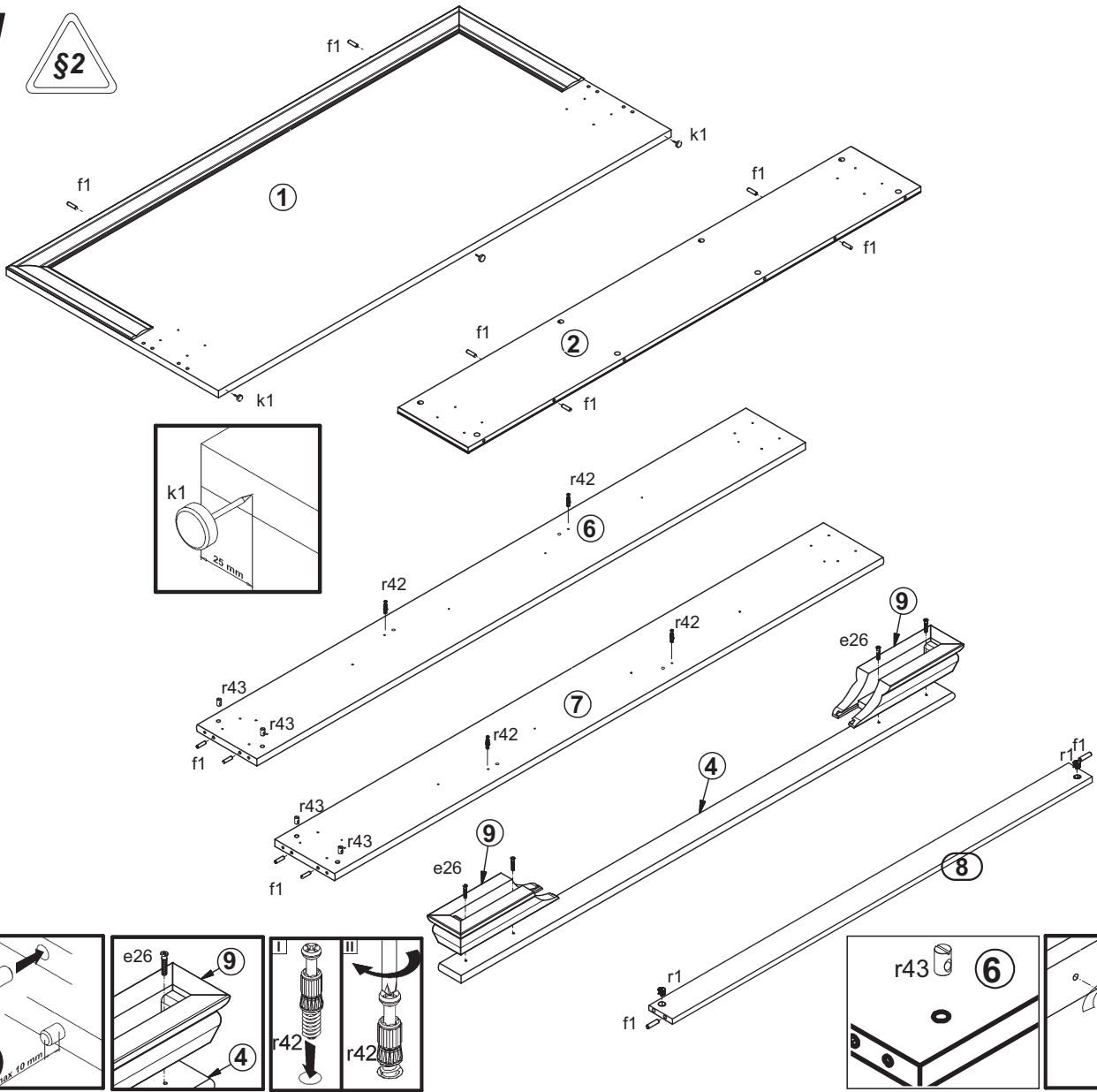


S320-LOZ 180x200

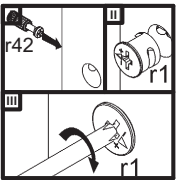
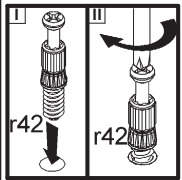
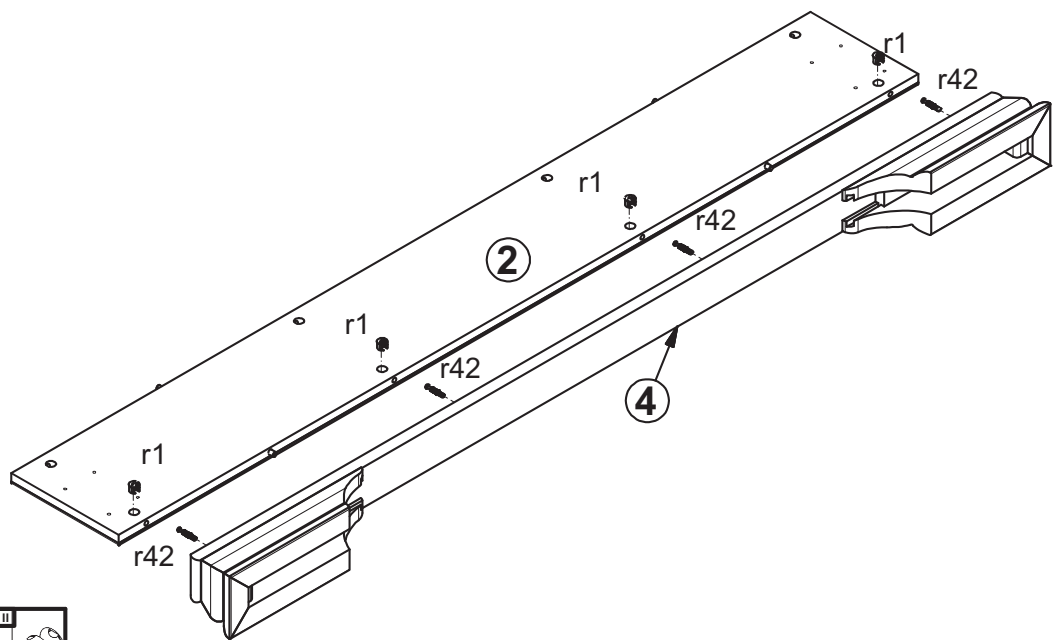
A	B	C	D	
1	S320-0072N	1850	977	2/6
2	S320-0071N	1850	257	1/6
3	S320-284	1890	70	3/6
4	S320-286	1862	77	3/6
5	S320-285	1890	70	3/6
6	S320-435	2000	255	4/6
7	S320-443	2000	255	4/6
8	S320-4430	1800	80	4/6
9	S320-512	350	112	5/6



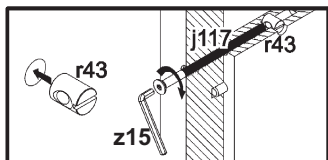
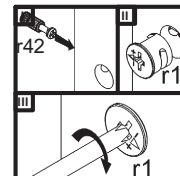
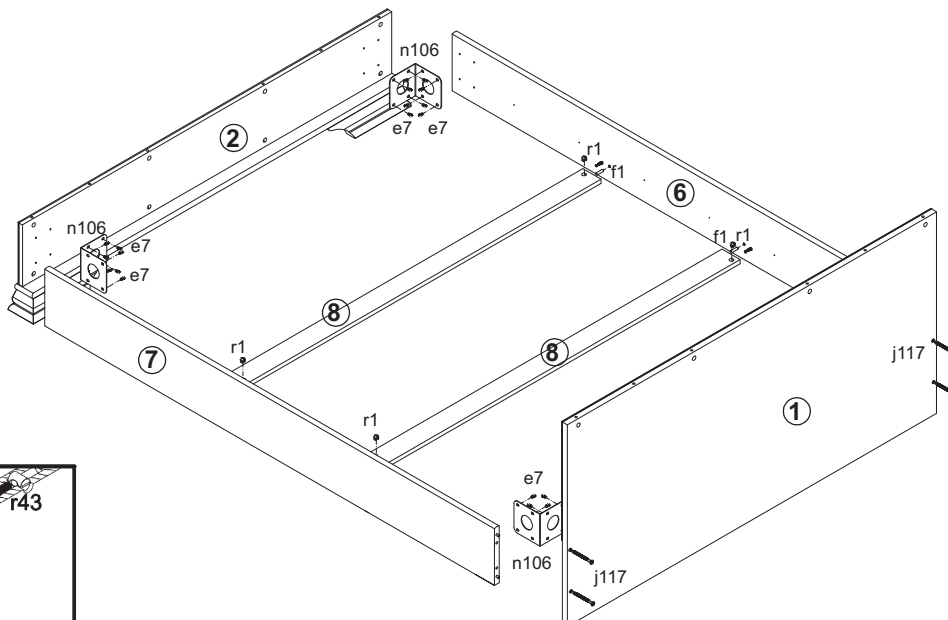
1



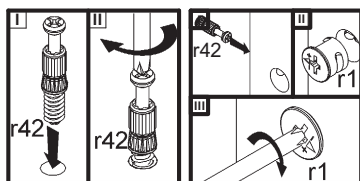
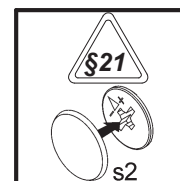
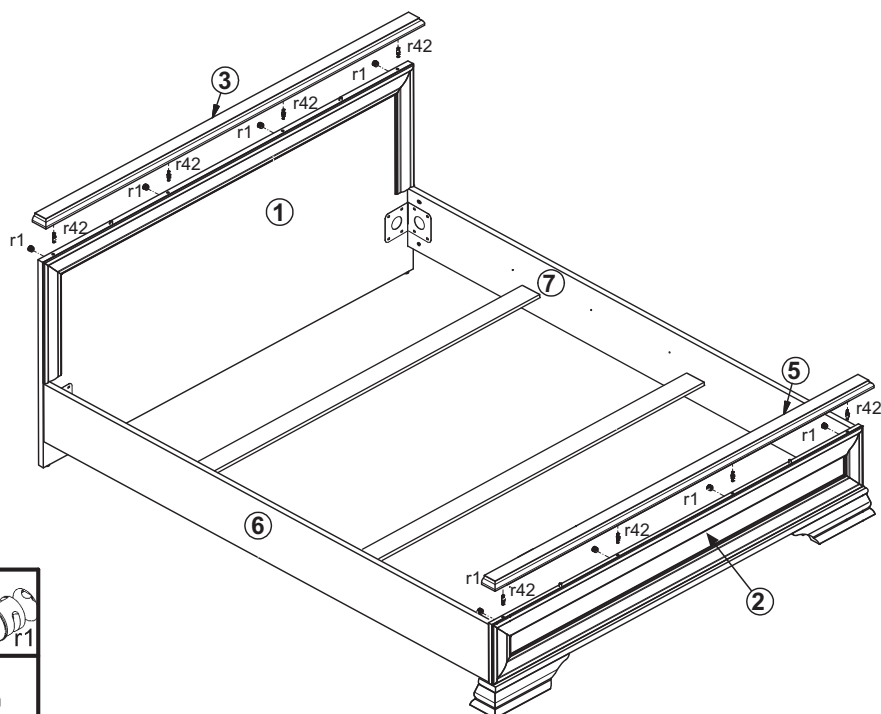
2



3



4



5

