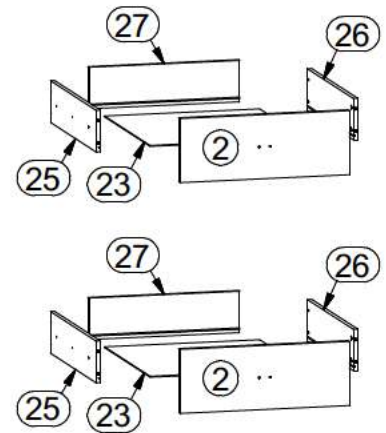
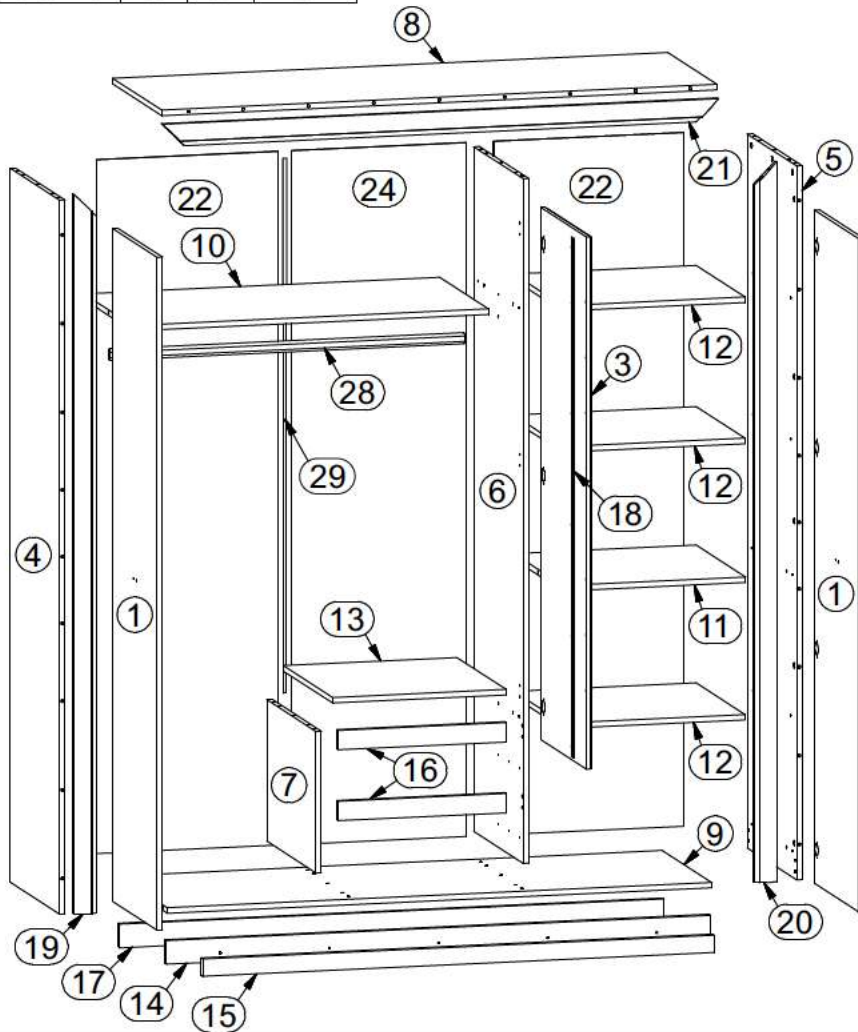
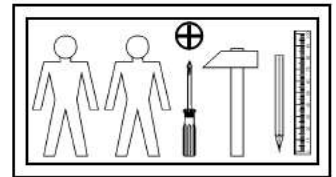
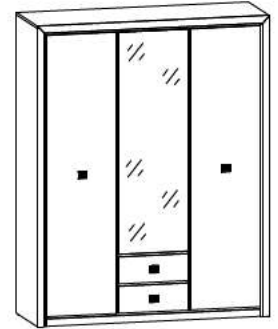


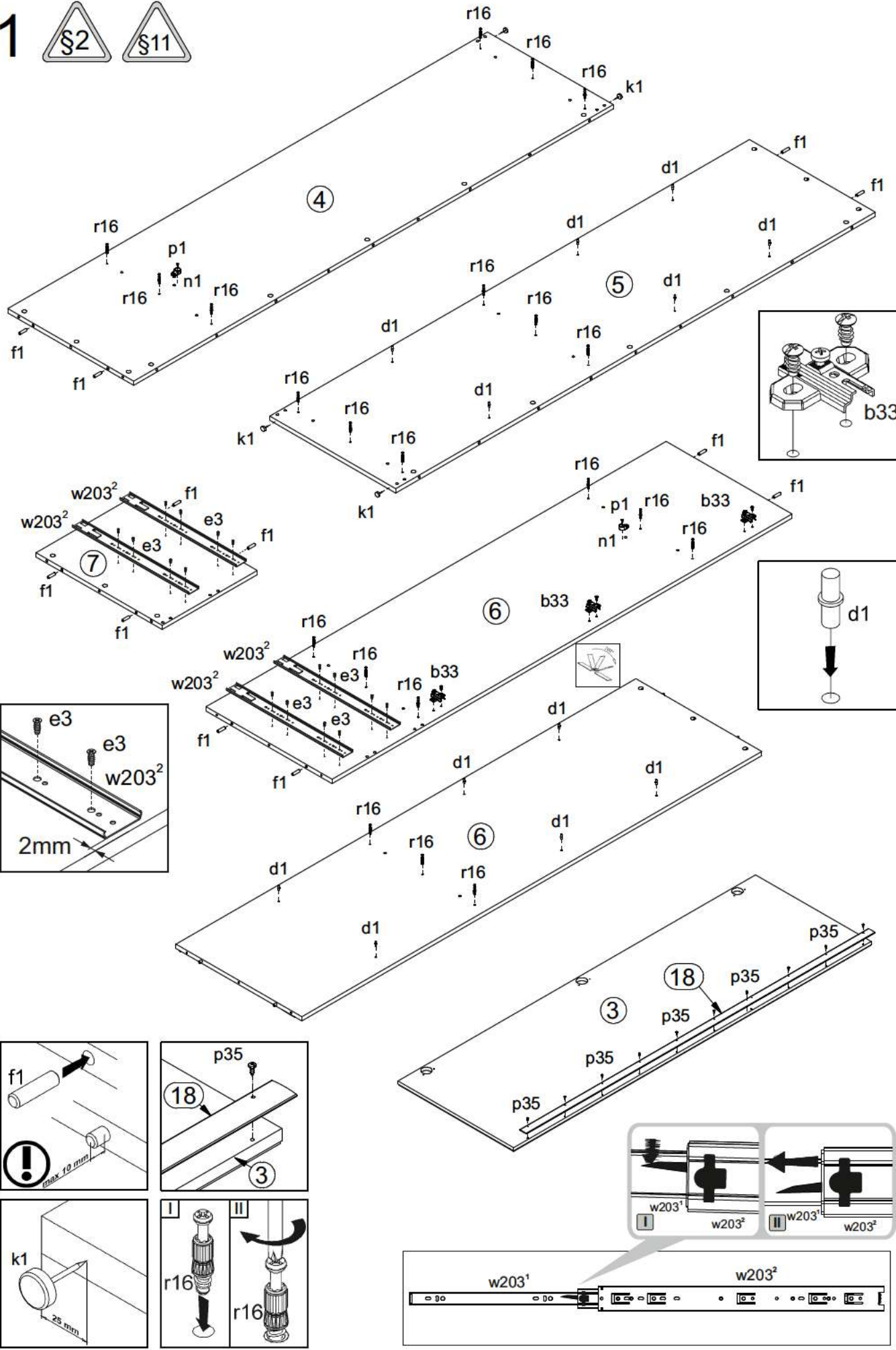
A	B	C	D
1	S136 0013	1940	488
2	S136 0050	498	185
3	S136 0017	1534	496
4	S136 144	2058	540
5	S136 145	2058	540
6	S136 1116	1974	540
7	S136 1117	408	540
8	S136 212	1630	540
9	S136 316	1597	540
10	S136 319	1044	535
11	S136 320	536	540
12	S136 321	535	535
13	S136 322	509	540
14	S136 412	1597	68
15	S136 413	1501	50

A	B	C	D
16	S136 414	492	56
17	S136 428	1597	68
18	S136 505	1496	29
19	S136 593	2075	65
20	S136 594	2075	65
21	S136 595	1631	65
22	S136 923	2000	556
23	S136 940	449	498
24	S136 919	2000	508
25	S136 5509	500	120
26	S136 5510	500	120
27	S136 5516	434	120
28	dr 1039	1039	30
29	lh 1549	1549	14

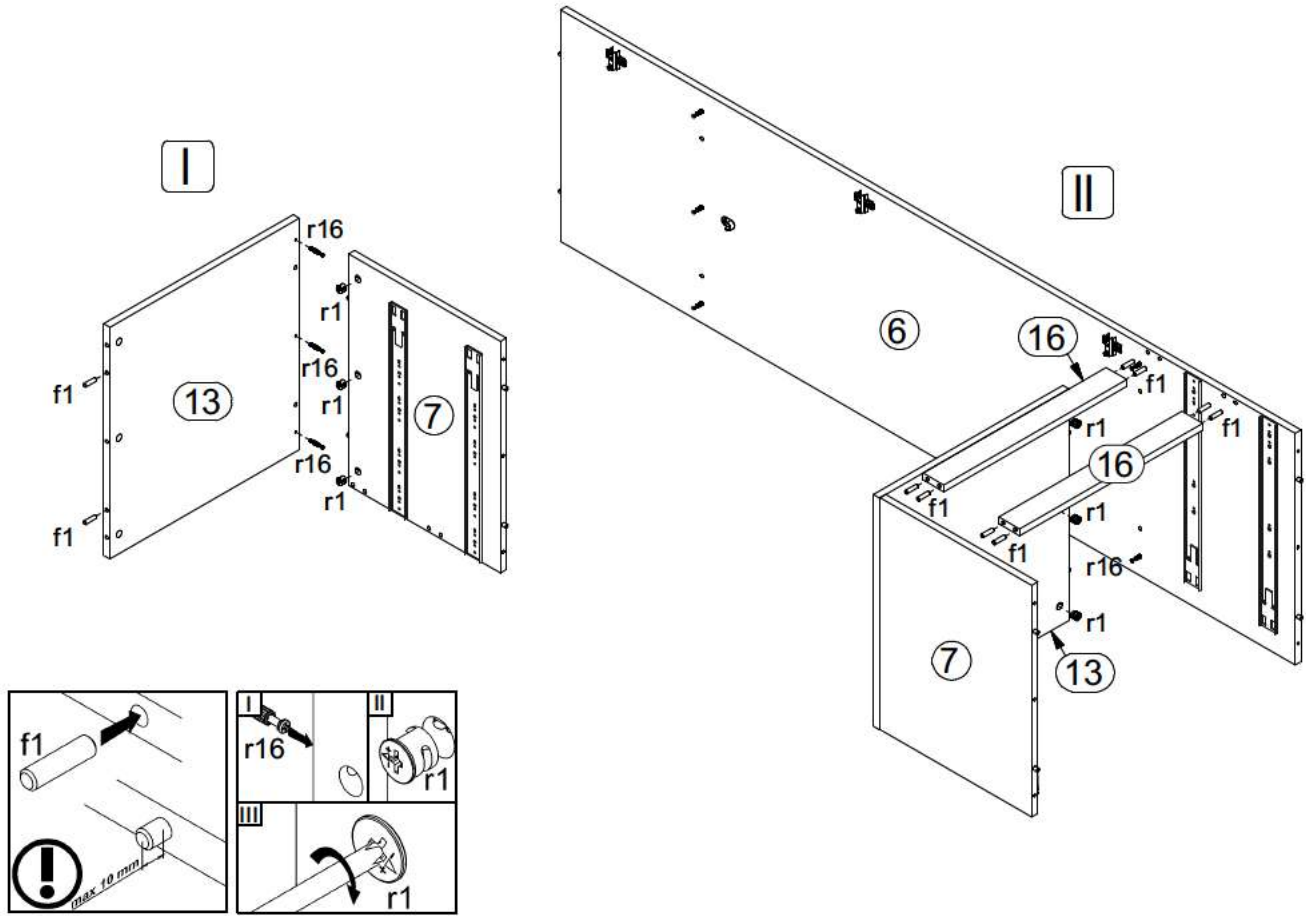


8x a99	3x a68	8x b43	3x b33	4x c317	12x φ5x17 mm d1	6x φ7x50 mm e1	16x φ6,3x13 mm e2
16x φ6x13 mm e3	2x r10	8x φ5x50 mm e32	60x φ8x30 mm f1	8x M4x22 mm j30	6x k1	150x l1	2x n1
1x n261	2x φ3,5x13 mm p1	10x φ3,5x10 mm p35	1x φ3,5x16 mm p38	22x φ8,5x15 mm p51	5x φ4x28 mm p94	16x φ3,5x12 mm p140	60x φ1,5x12mm #16 r1
56x 20/9 r16	23x ø16 s2	4x 500 mm w203 ¹	4x 500 mm w203 ²			1x z1	

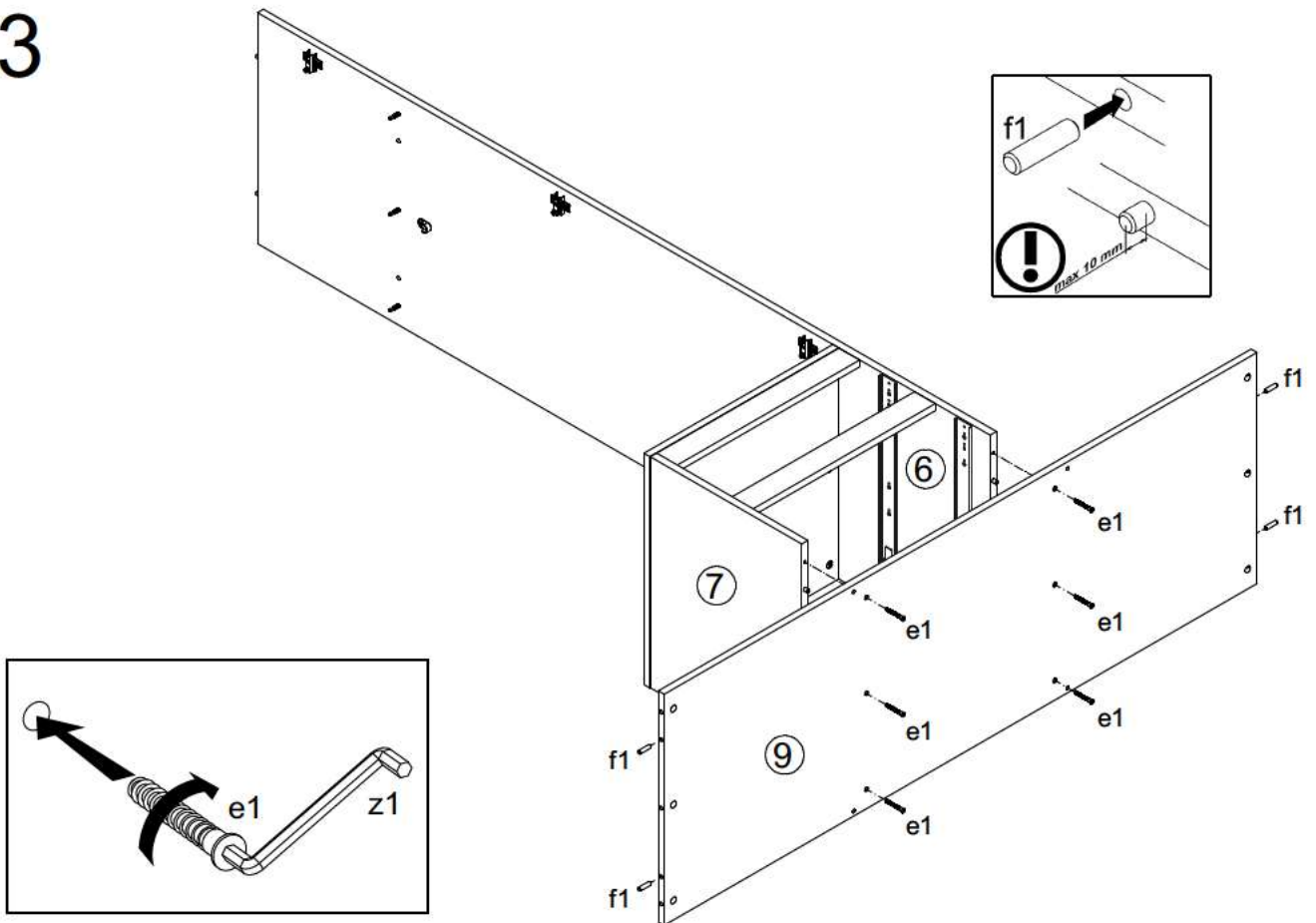
1  



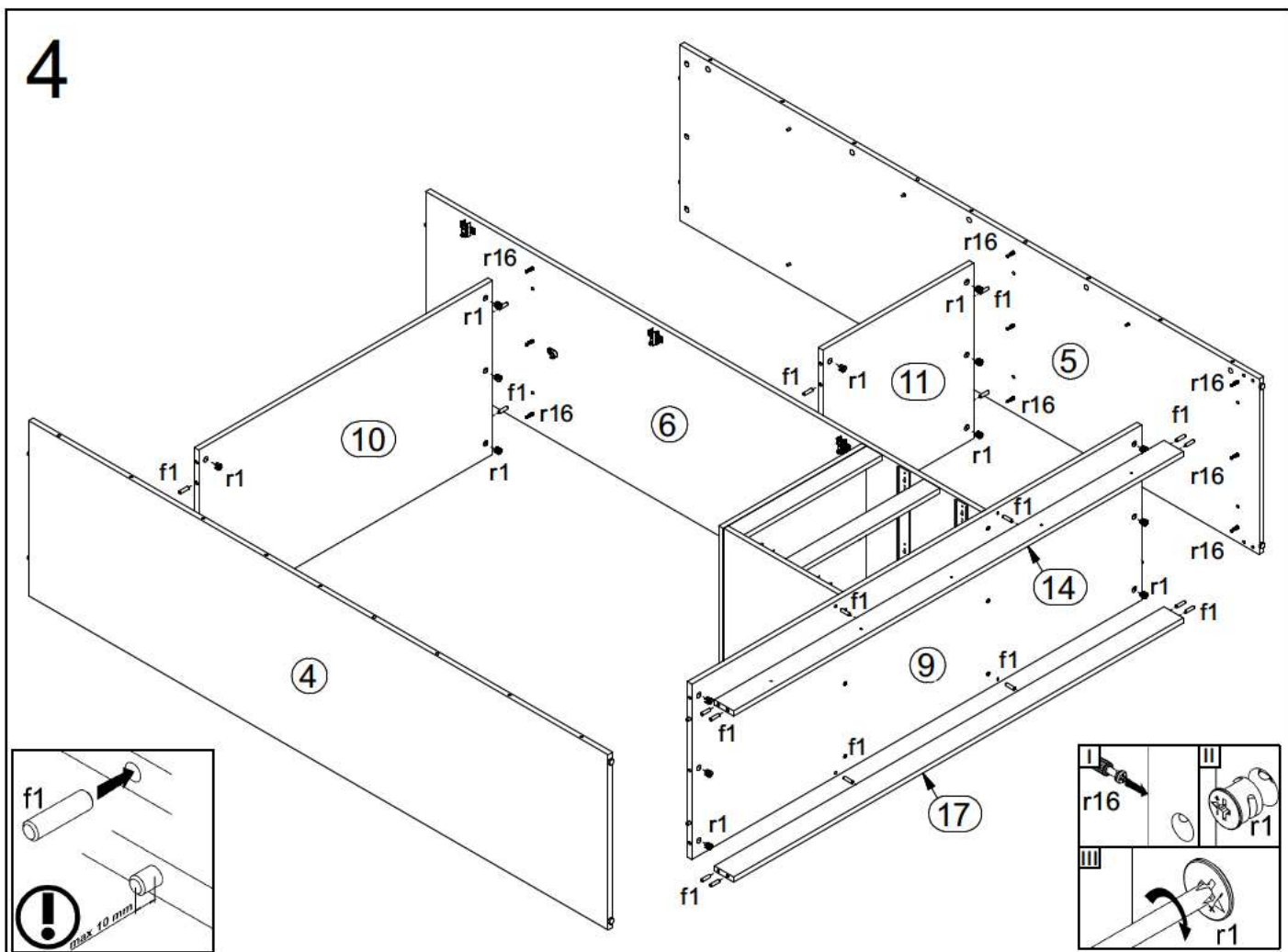
2



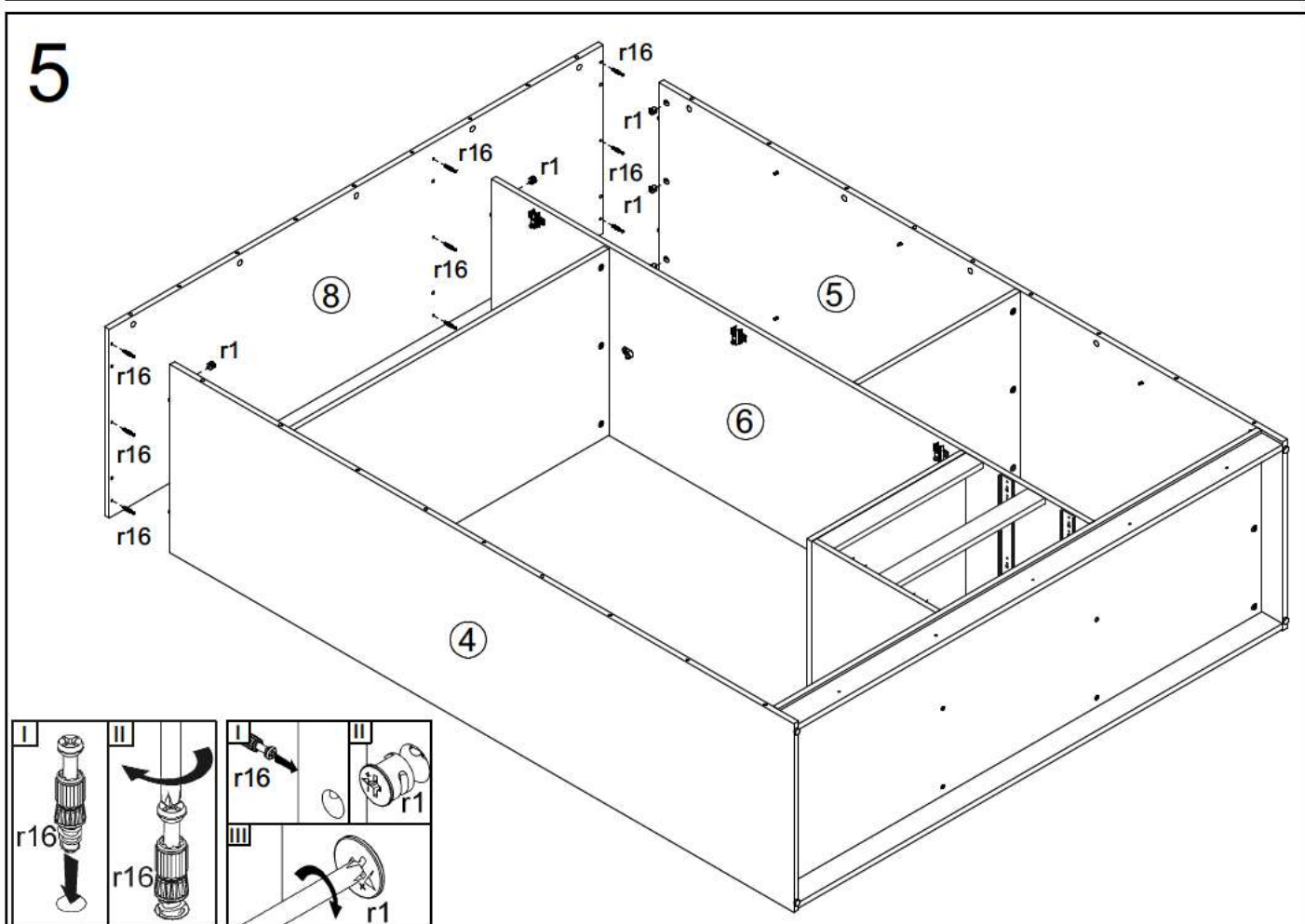
3

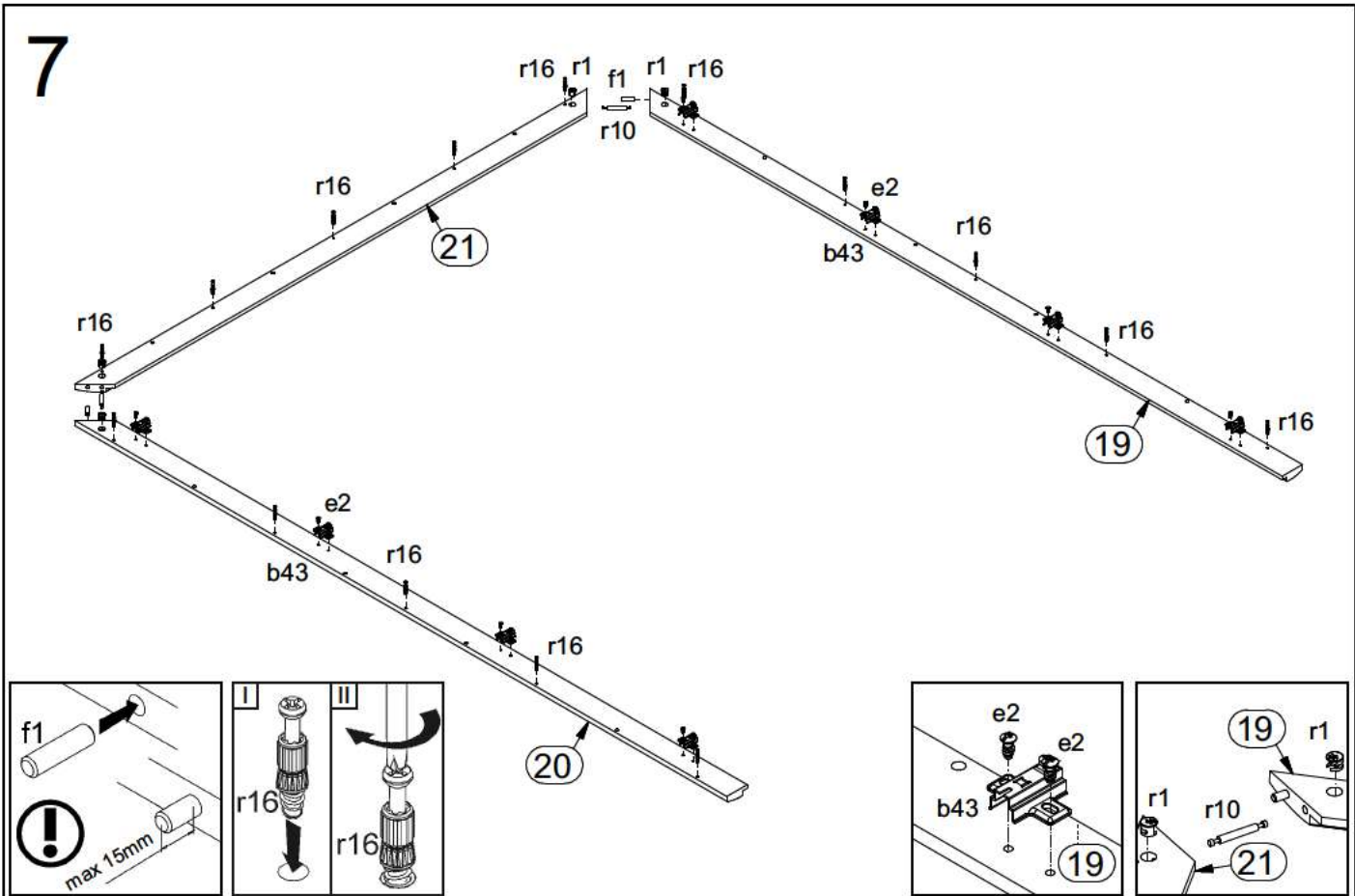
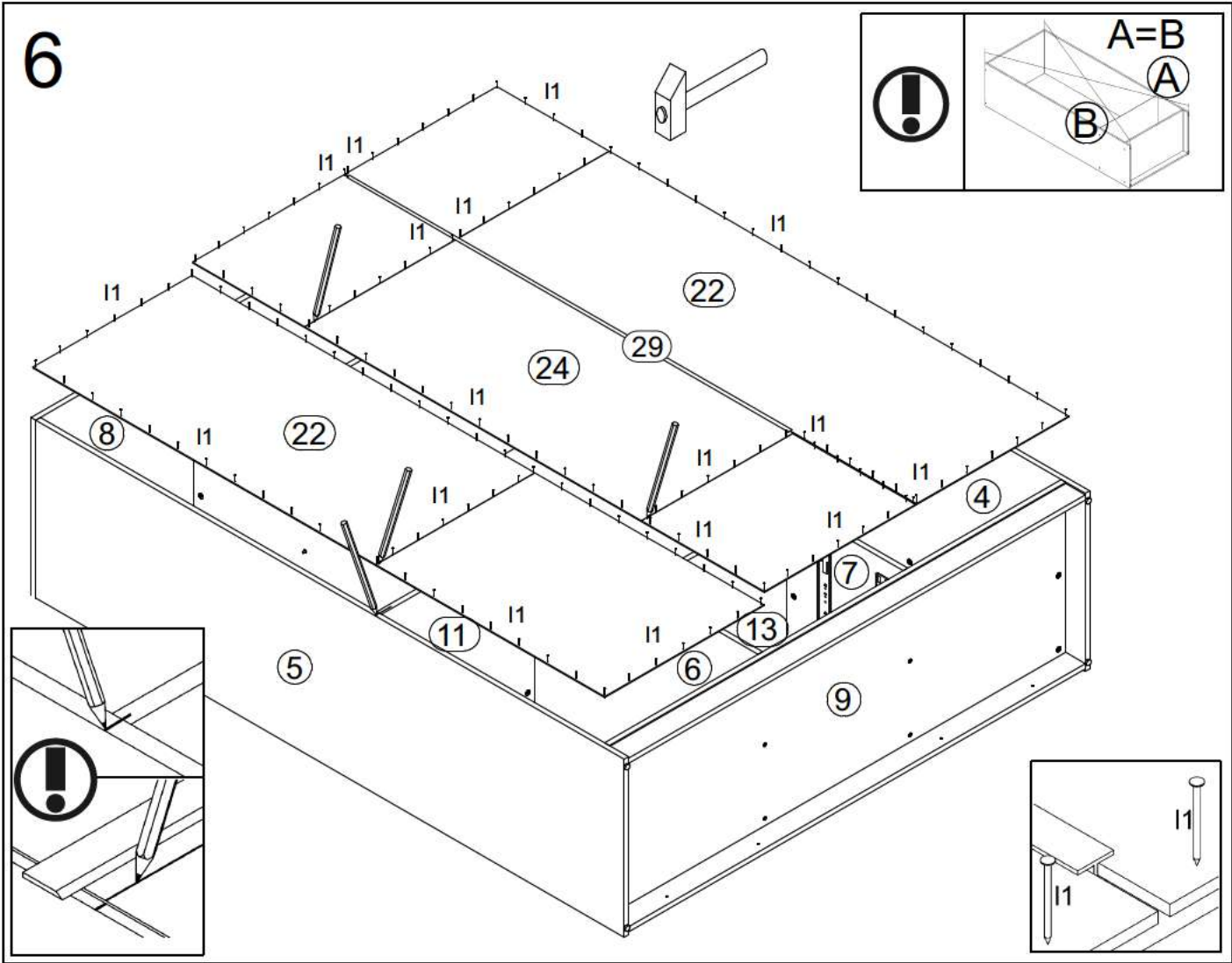


4

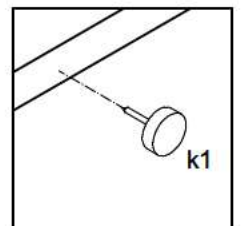
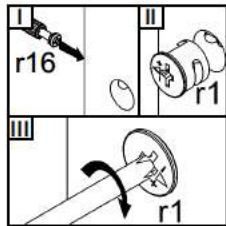
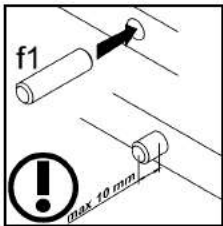
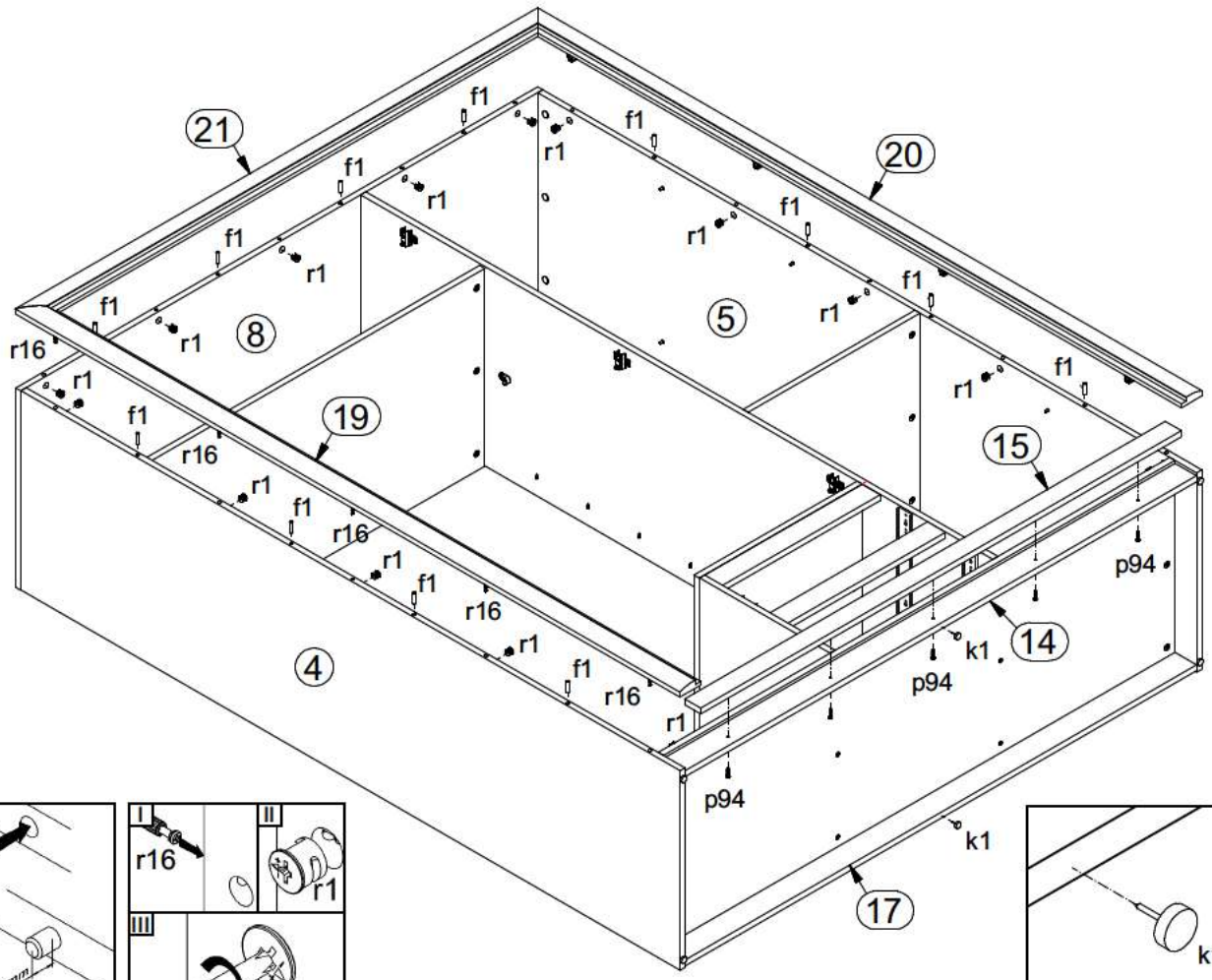


5

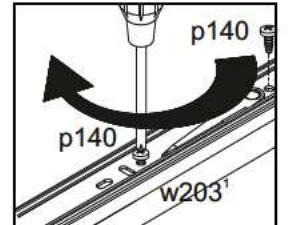
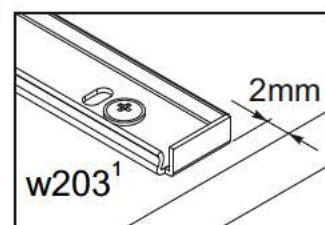
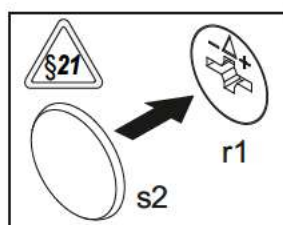
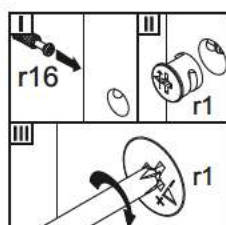
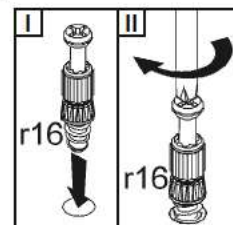
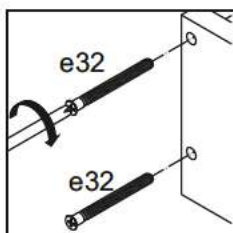
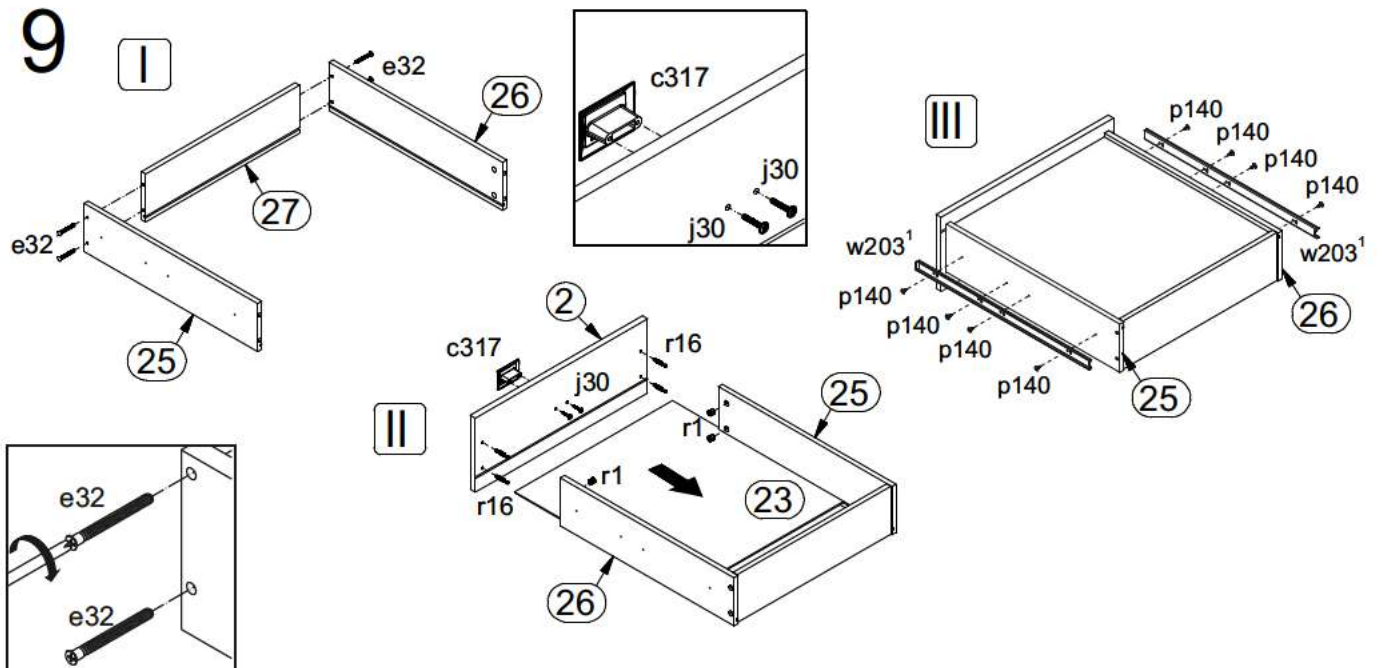




8



9



10

