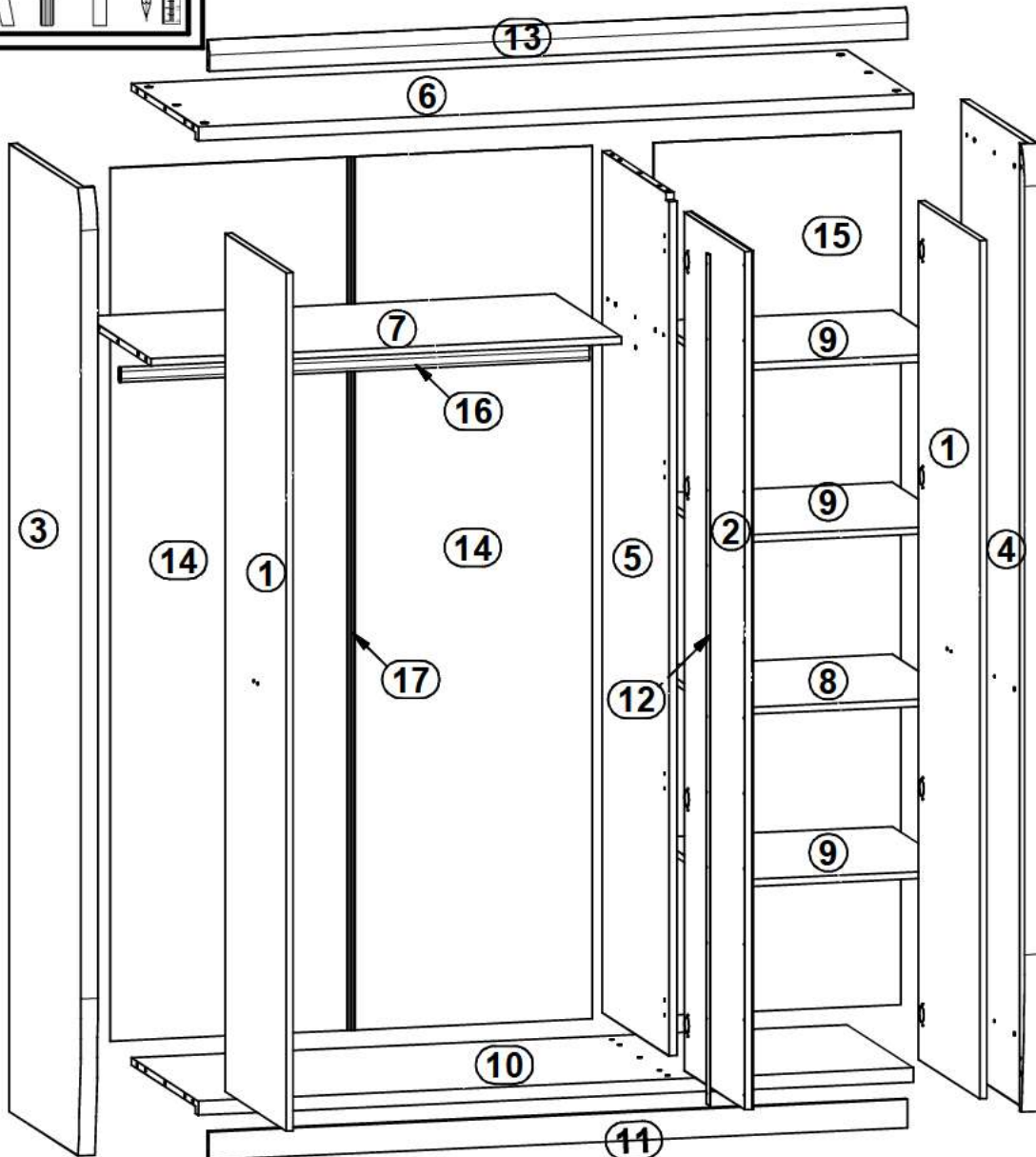
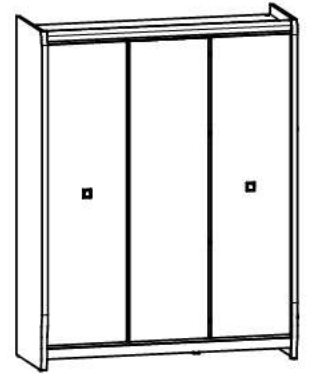


LOREN

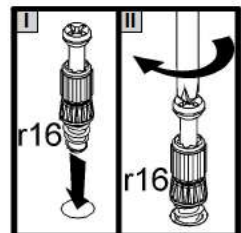
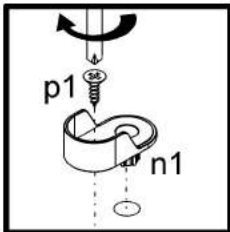
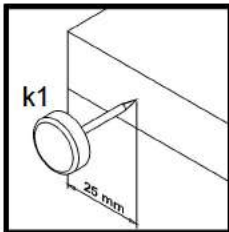
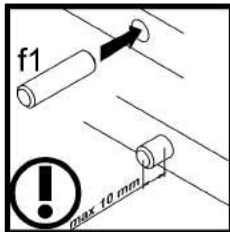
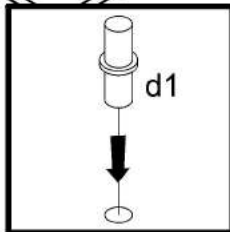
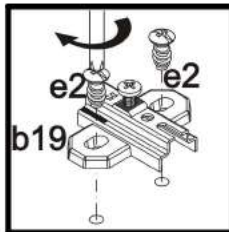
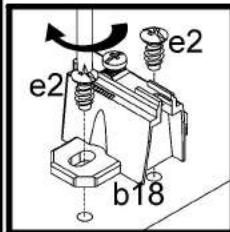
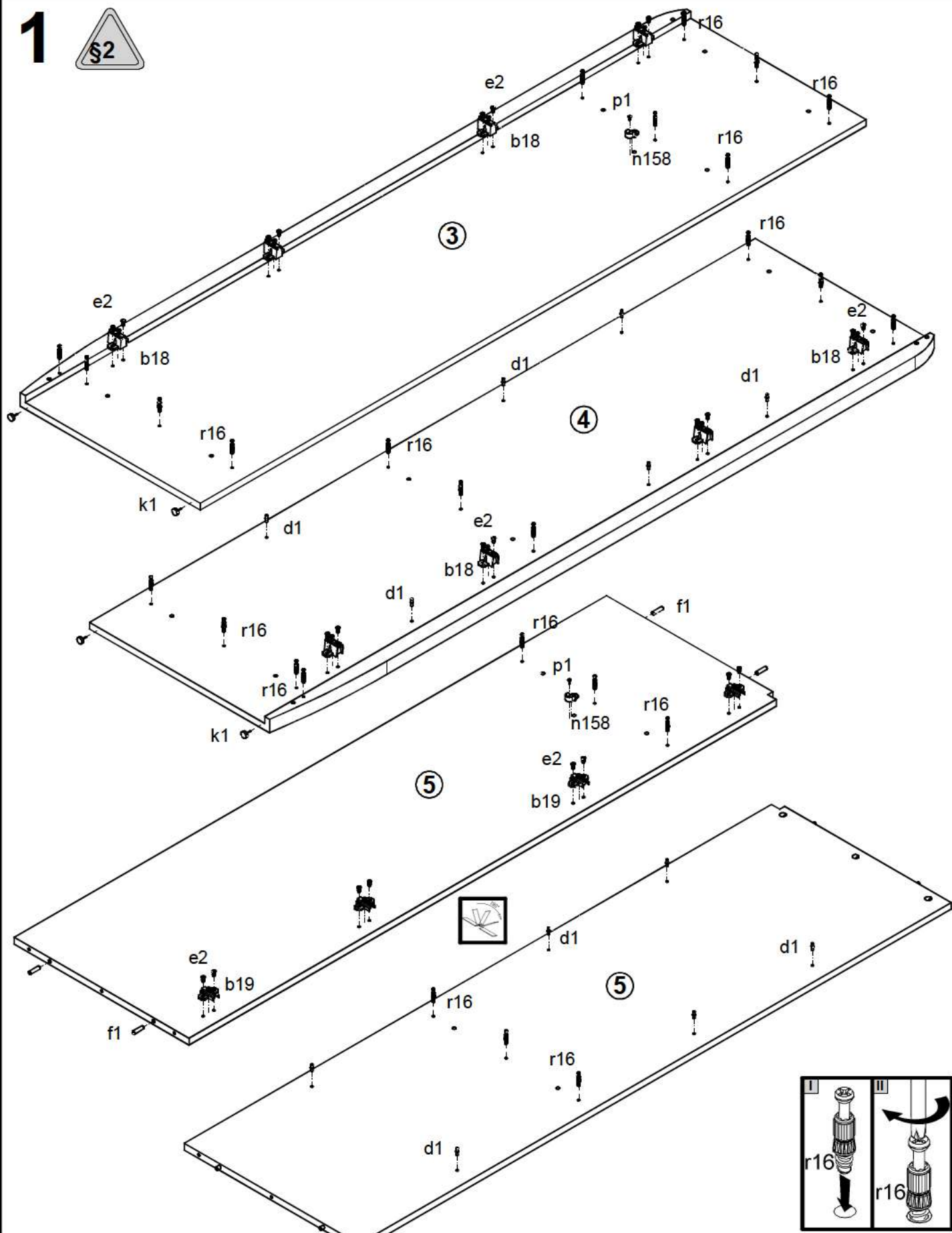
S163-SZF3D_22

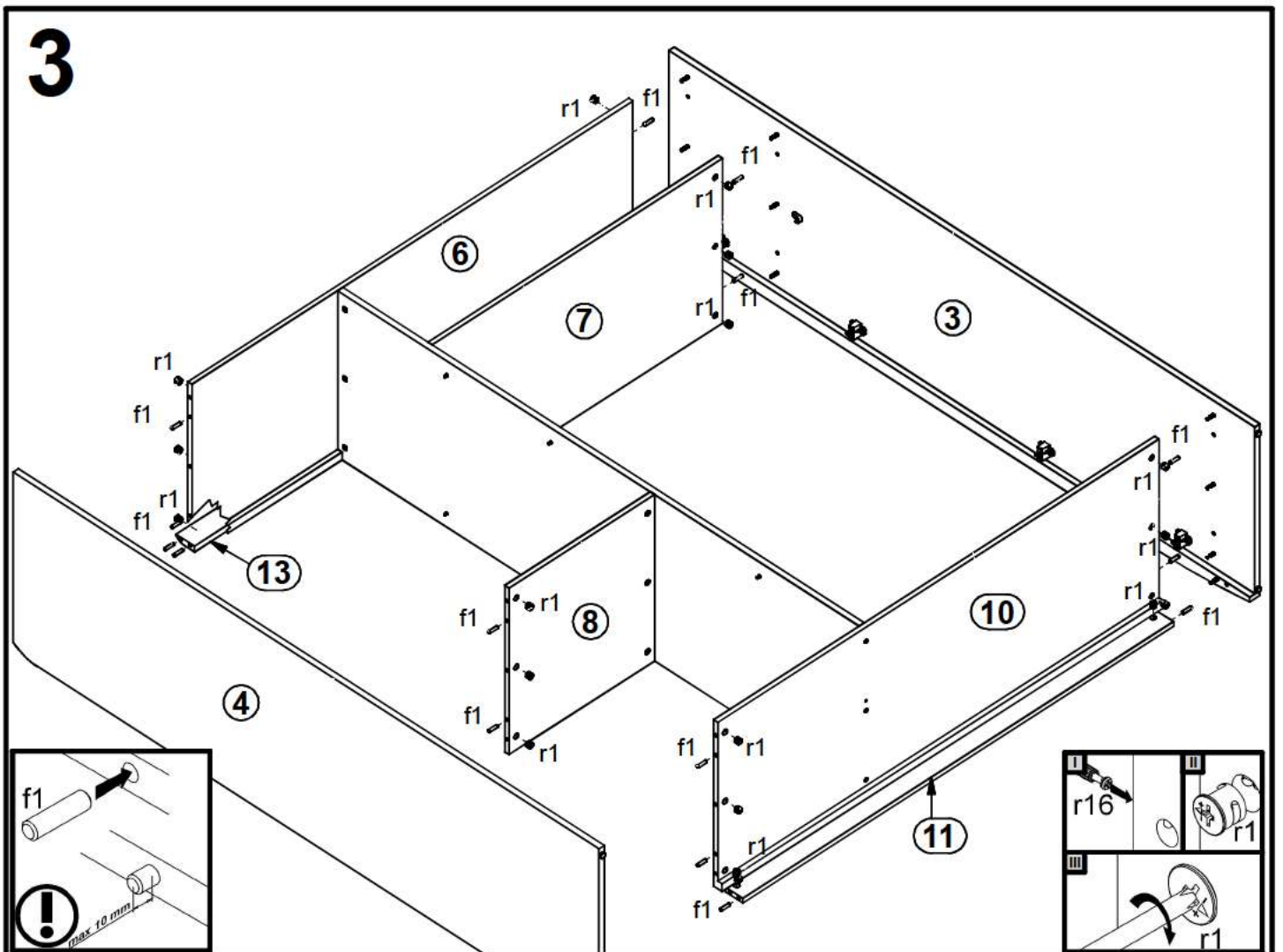
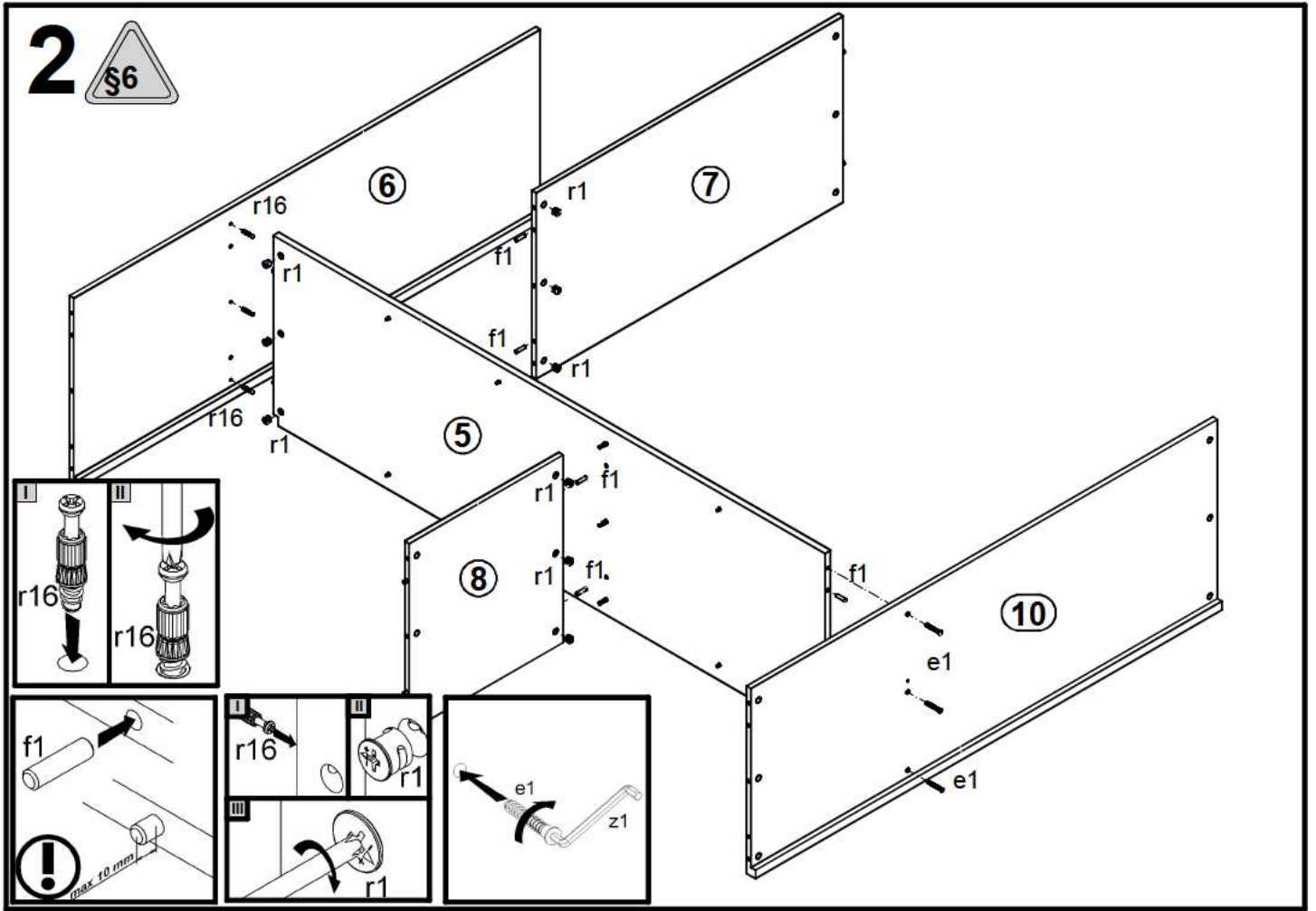
A	B	C	D	A	B	C	D		
1	S163-0050	1960	491	3/3	9	S163-3322	509	539	2/3
2	S163-0054	1960	491	3/3	10	S163-3323	1544	539	2/3
3	S163-1165	2192	580	1/3	11	S163-4410	1508	60	2/3
4	S163-1164	2192	580	1/3	12	S163-552	1944	29	1/3
5	S163-1161	1967	539	1/3	13	S163-511	1508	64	1/3
6	S163-3319	1544	539	2/3	14	S163-9930	1851	520	1/3
7	S163-3320	1016	534	2/3	15	S163-9931	1851	533	1/3
8	S163-3321	510	539	2/3	16	dr-1012	1012	30	1/3
					17	Lh-1961	1961	14	1/3

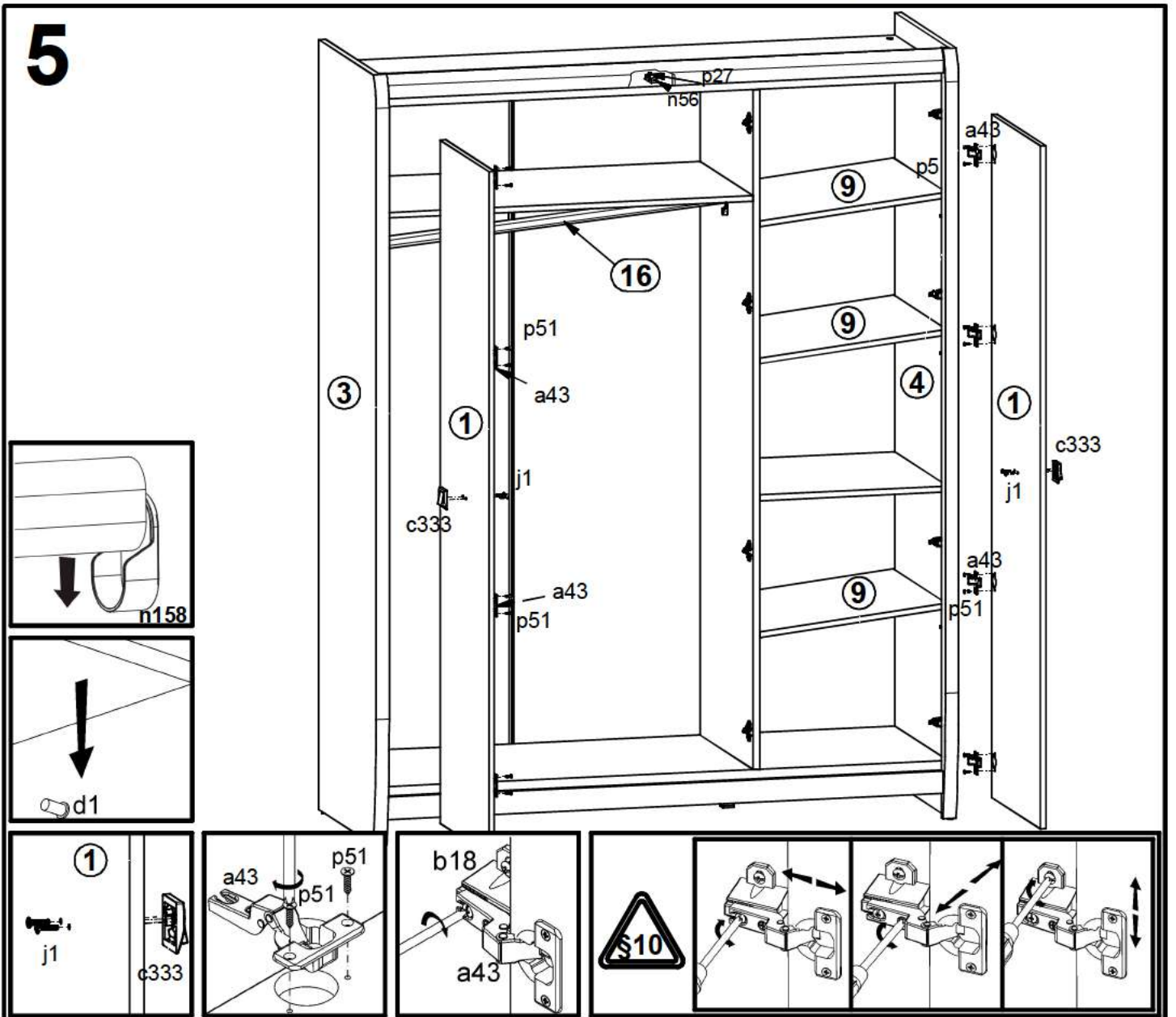
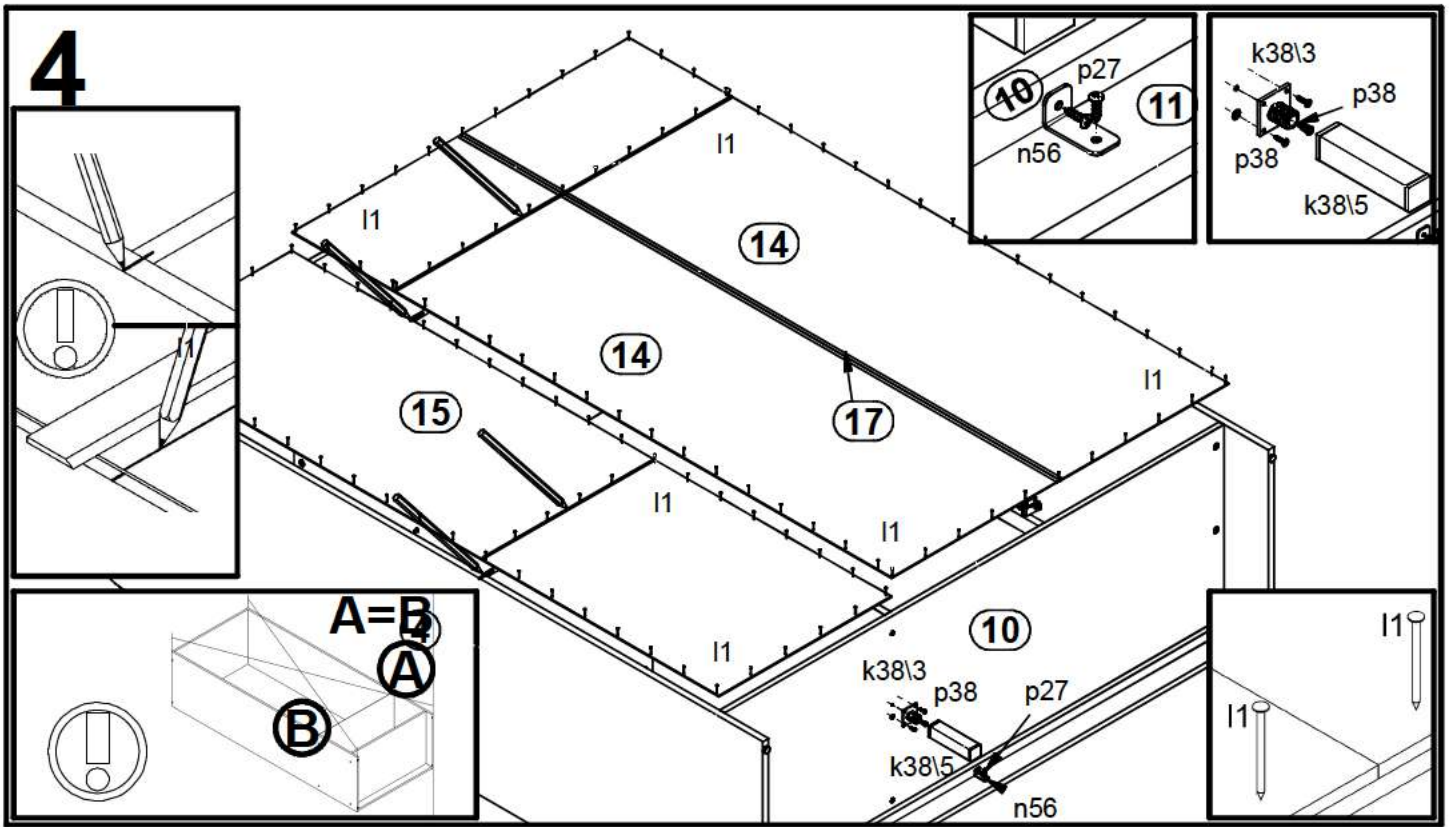


8x a43	4x a68	8x b18	4x b19	2x c333	12x φ5x17 mm d1	3x φ7x50 mm e1	25x φ6,3x13 mm e2	26x φ8x30 mm f1
4x M4x20 mm j1	4x k1	1x k38l3	1x k38l5	130x l1	2x n158	2x φ8,5x13 mm p1	16x φ3,5x16 mm p38	24x φ3,5x13 mm p51
29x φ15x12mm #16 r1	29x r16	1x z1	9x φ16 s2	2x 32x16x19,1 mm n56	4x φ8,5x13 mm p27			

1







6

