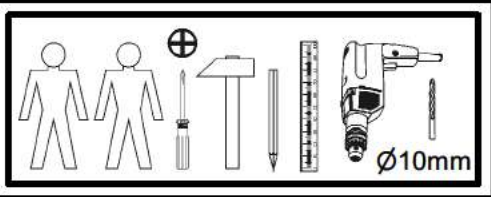
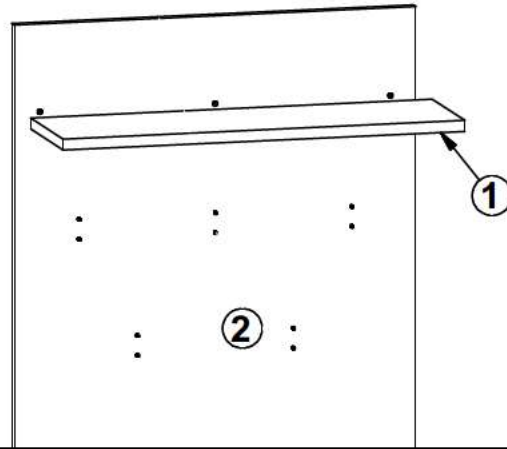
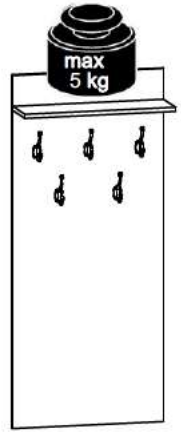


A	B	C	D
1	S322 3025	660	200
2	S322 4418	1520	660



- 3x $\phi 7 \times 50$ mm e1
- 4x $\phi 5 \times 11$ mm e4
- 2x $\phi 10 \times 50$ mm f35
- 2x g2
- 5x g49
- 10x $\Delta 4 \times 22$ mm j60
- 2x $\phi 6 \times 0$ mm p75
- 1x z1

