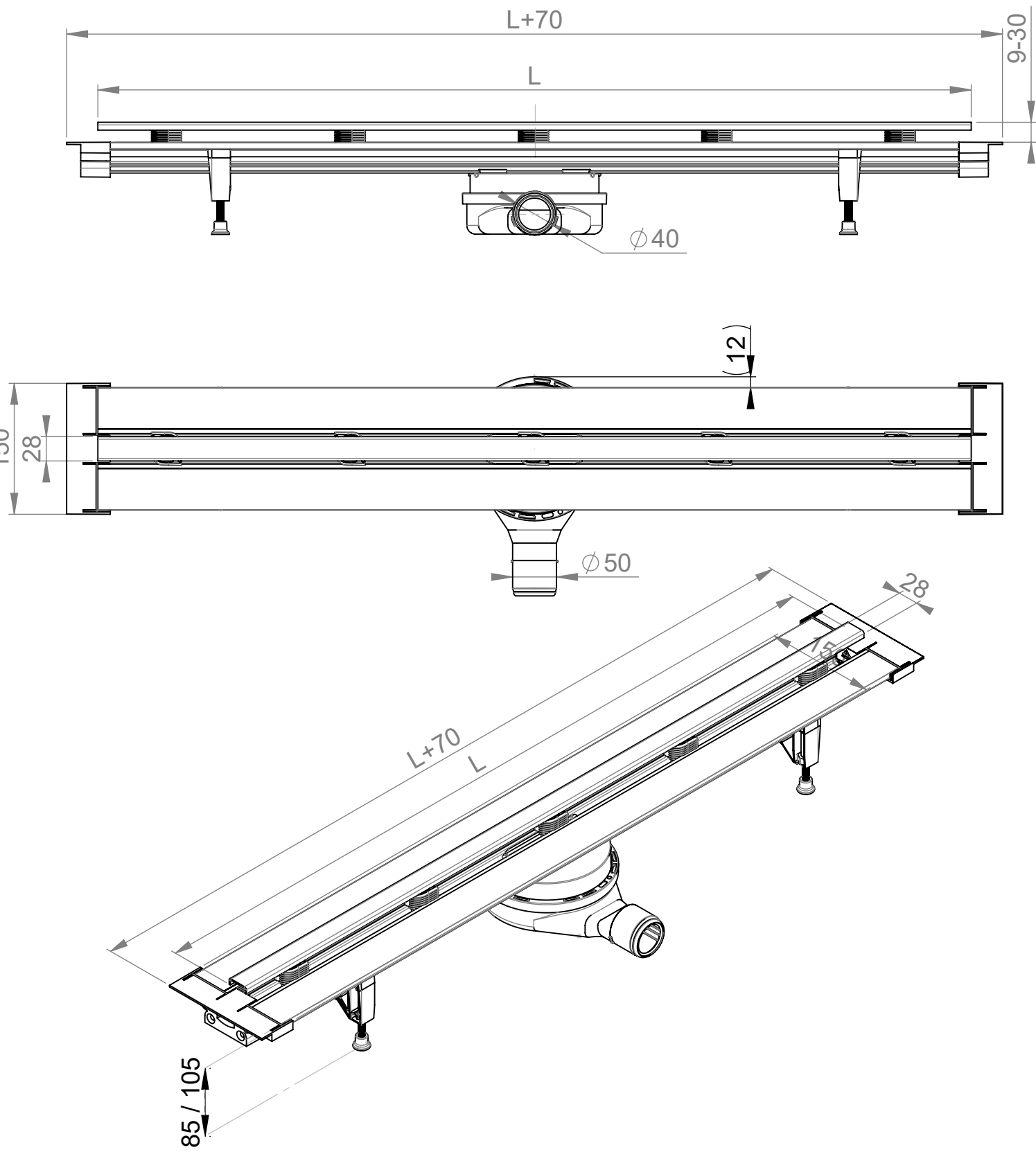



Reproduction, distribution, and utilization of this document as well as communication of its contents to others without express authorization prohibited.

Rev	Zmiana / Change	Data / Date	Konstruktor / Designer
-----	-----------------	-------------	------------------------



PRODUKT NR. / PRODUCT NO		KLIENT / CUSTOMER	Material / Material	NAZWA / DESCRIPTION
SKALA / SCALE		PROJEKT NR. / PROJECT NO	Dimensions without tolerance values are according to DIN ISO 2768-1m	EASY LINE system
1:6	A4			
KONSTRUKTOR / DESIGNER	DATA / DATE			NR RYSUNKU/ DRAWING NO
MP	10.09.19			
ZATWIERDZIŁ / APPROVED BY	DATA / DATE	MASA / MASS	REV	
ul. Cisowa 9, NiepruszeWO 64-320 Buk				