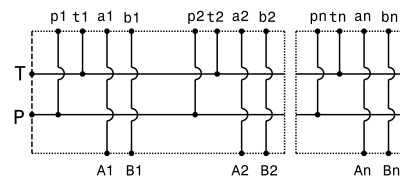
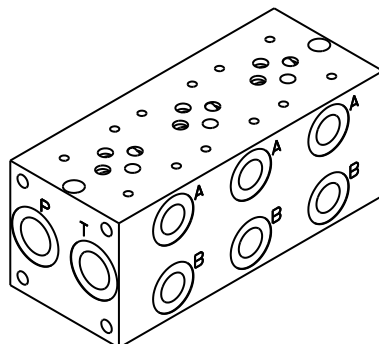


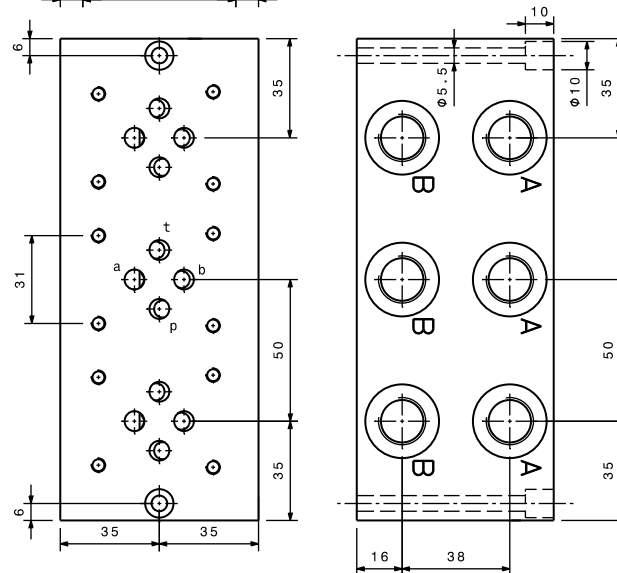
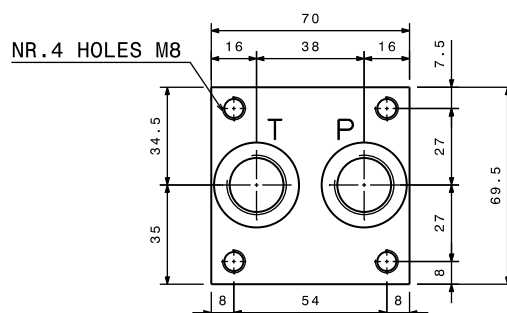
Base monoblocco con attacchi laterali – luce 6  
 Mainfold plate with side ports – NG6  
 mod. BEC3-n-AL

Corpo in alluminio  
 Aluminium Body



Portata massima Max flow	40 l/min 10.6 gpm
Pressione massima Max pressure	280 bar 4000 psi

Modello Type	P,T	A,B	M	L (mm)
<b>BEC3-1-AL</b>	1/2" GAS	3/8" GAS	1/4" GAS	70
<b>BEC3-2-AL</b>	1/2" GAS	3/8" GAS	1/4" GAS	120
<b>BEC3-3-AL</b>	1/2" GAS	3/8" GAS	1/4" GAS	170
<b>BEC3-4-AL</b>	1/2" GAS	3/8" GAS	1/4" GAS	220
<b>BEC3-5-AL</b>	1/2" GAS	3/8" GAS	1/4" GAS	270
<b>BEC3-6-AL</b>	1/2" GAS	3/8" GAS	1/4" GAS	320
<b>BEC3-7-AL</b>	1/2" GAS	3/8" GAS	1/4" GAS	370
<b>BEC3-8-AL</b>	1/2" GAS	3/8" GAS	1/4" GAS	420



Dati e tarature ottenuti usando olio con viscosità 30 cSt a 50°C  
 Performances and calibrations are carried out by using hydraulic oil with 30 cSt viscosity at 50°C

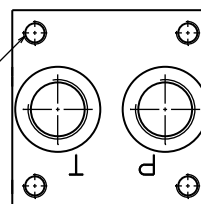
Viscosità consigliate Recommended viscosity	10 ÷ 420 cSt
Temperature di lavoro Working temperature	-20 ÷ +90 °C
Filtrazione assoluta Absolute filtration	25 µ

Sigla di ordinazione / Ordering code

**BEC3-3AL**

Modello  
Type

NR. 4 HOLES M8



I dati non sono impegnativi, **CBF** si riserva di apportare modifiche senza preavviso.  
 The specifications are not binding, **CBF** reserves the right to introduce modifications without notice.