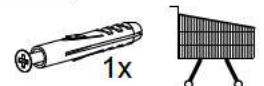
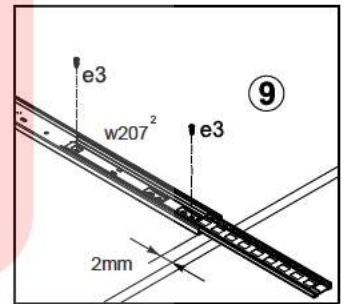
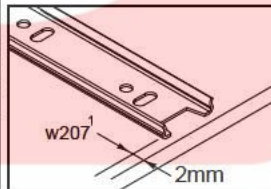
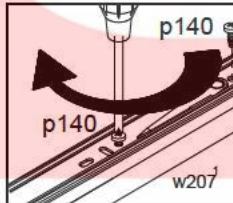
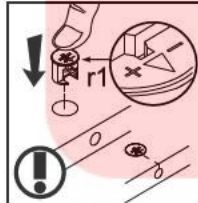
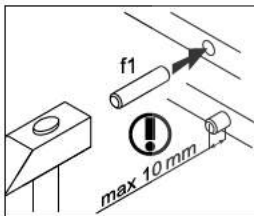
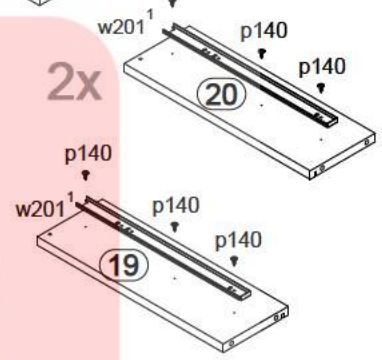
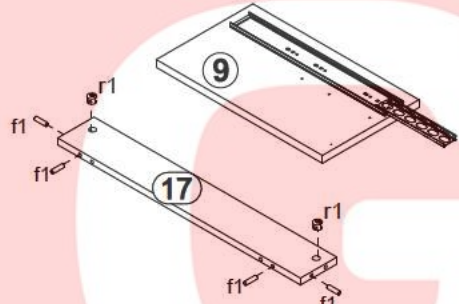
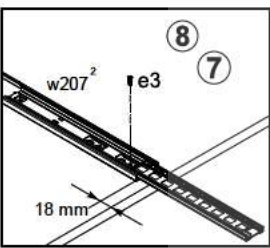
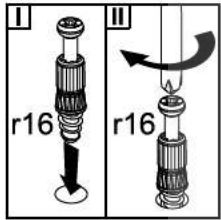
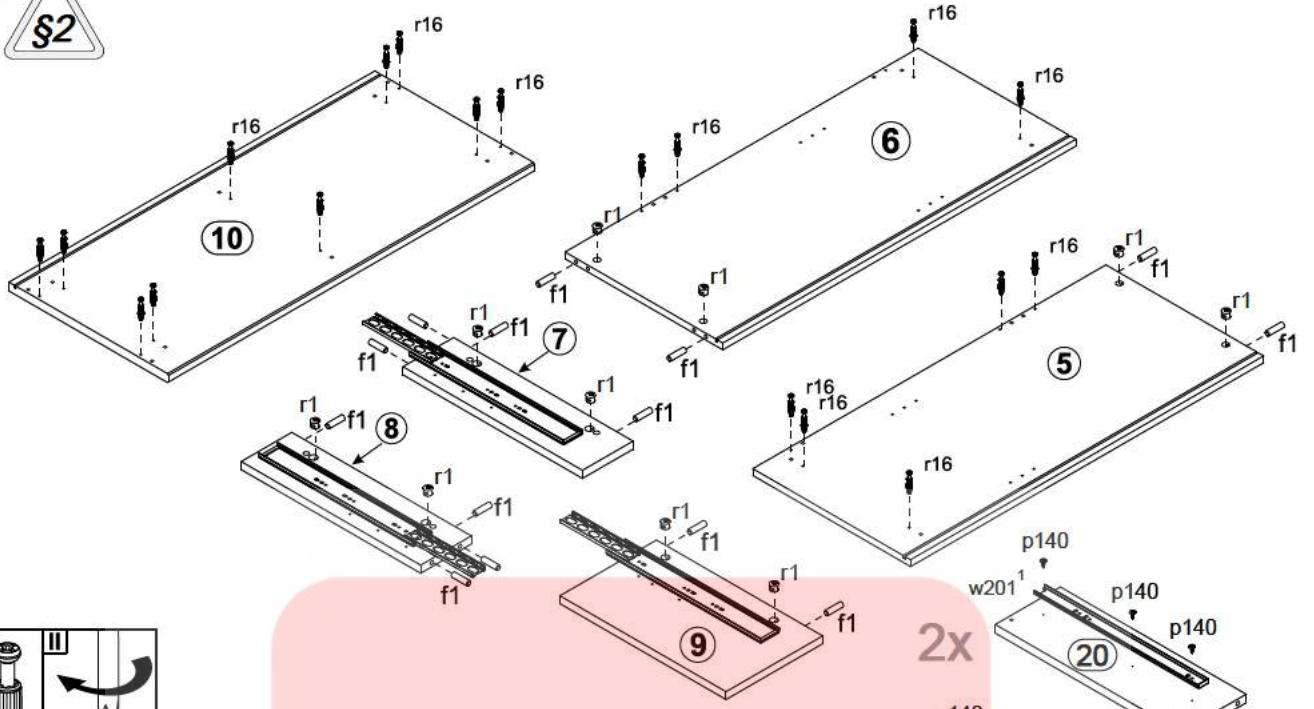


A	B	C	D	
1	S404-0001	446	205	3/3
2	S404-0002	446	205	3/3
3	S404-0003	446	543	3/3
4	S404-0004	446	543	3/3
5	S404-1001	958	428	1/3
6	S404-1002	958	428	1/3
7	S404-1003	115	408	2/3
8	S404-1004	115	408	2/3
9	S404-1005	228	392	2/3
10	S404-2001	1041	454	2/3
11	S404-3001	1007	428	2/3
12	S404-3002	1007	408	1/3
13	S404-5001	958	70	1/3
14	S404-5002	958	70	1/3
15	S404-5003	899	70	1/3
16	S404-5004	899	70	1/3
17	S404-4001	1007	60	2/3
18	S404-4002	1007	160	2/3
19	S404-5102	366	120	2/3
20	S404-5103	366	120	2/3
21	S404-5101	384	120	2/3
22	S404-9001	399	365	2/3
23	S404-9301	443	1018	2/3
24	LH-1006	1006	14	2/3

4x a132	2x a133	4x b43	4x d1 φ5x17 mm	1x d36 22x22x24	9x d37 30x34x25	2x e1 φ7x50 mm
8x e2 φ6,3x13 mm	8x s4 ø5	3x e22 φ7x28 mm	26x f1 φ8x30 mm	2x f13 φ8x20 mm	4x k1	10x l1
14x l2	1x n26\1	39x p38 φ3,5x16 mm	8x p51 φ3,5x15 mm	28x r1 φ15x12 mm #16	28x r16 20/9	12x e3 φ6x13 mm
14x s2 φ16	12x p140 ø3,5x12 mm	4x w207/1 350	4x w207/2 350	8x e32 φ5x50 mm	1x z1	

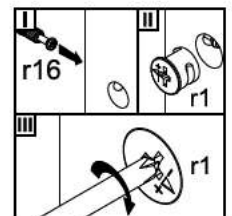
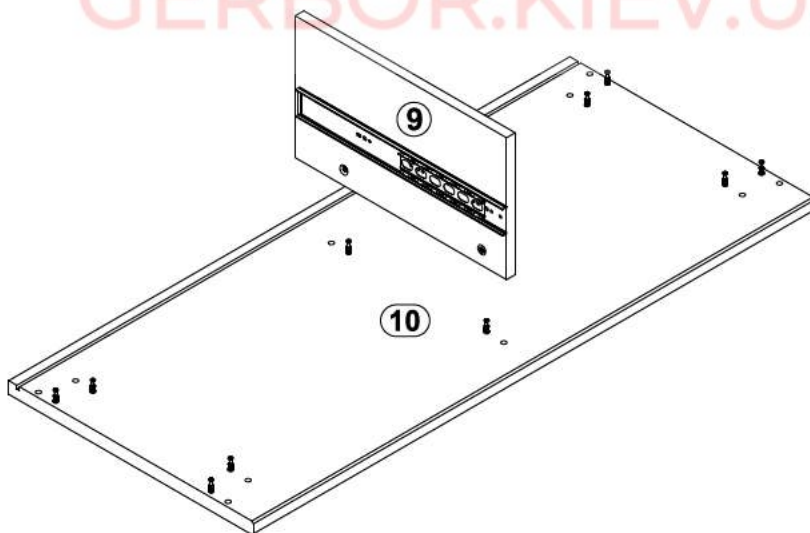


1

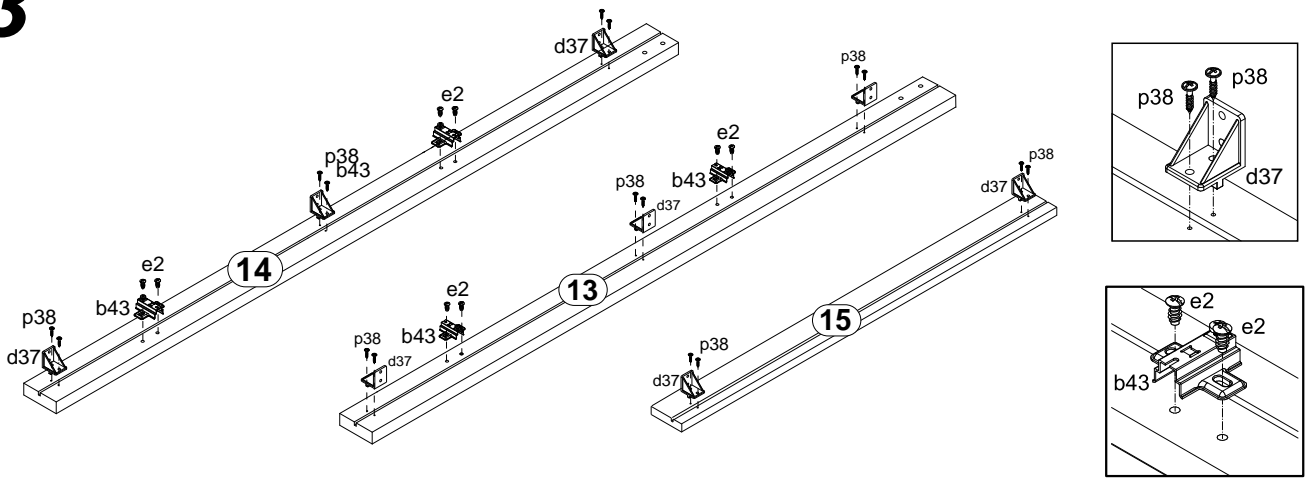


2

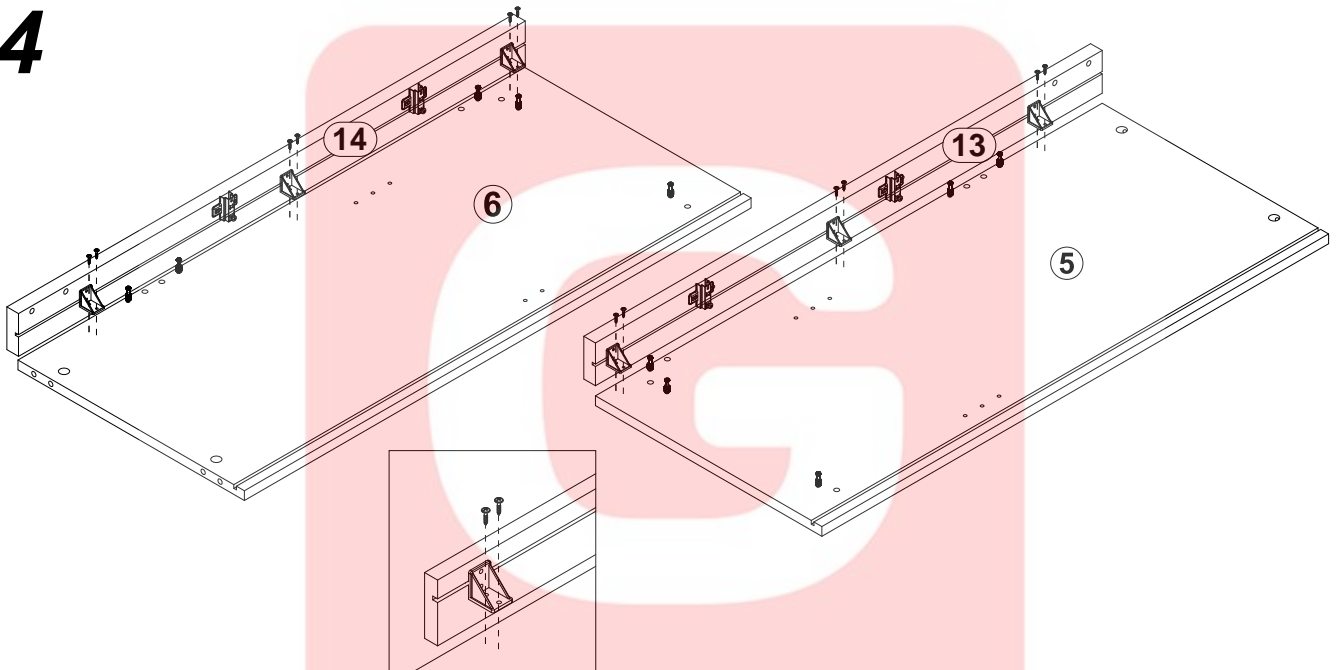
GERRBOR.KIEV.UA



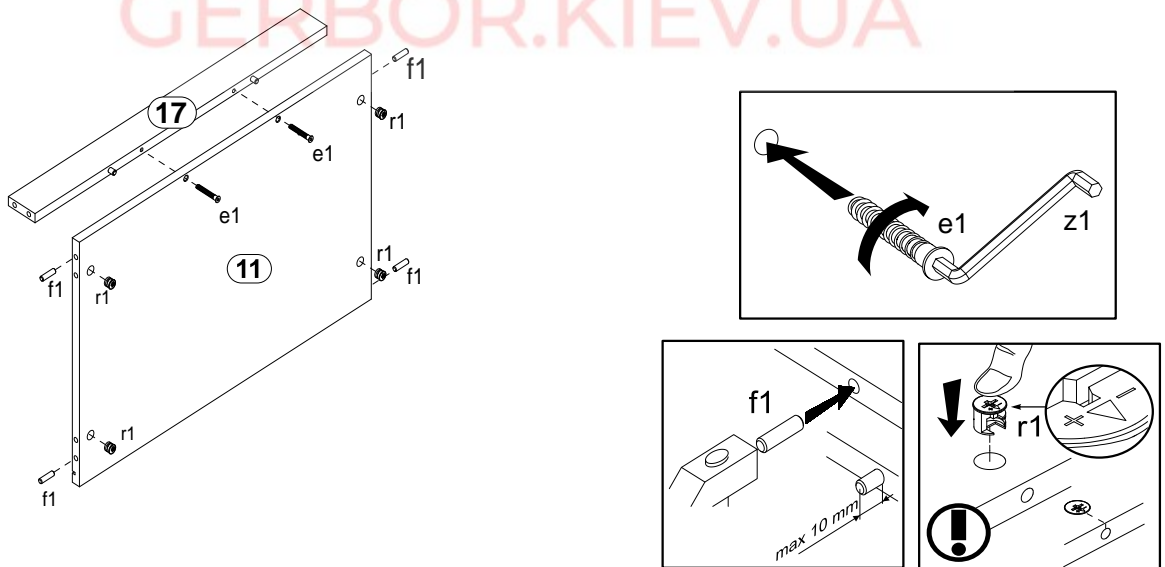
3



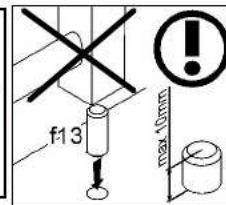
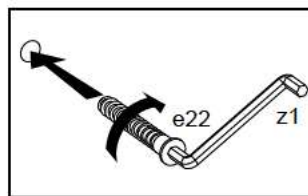
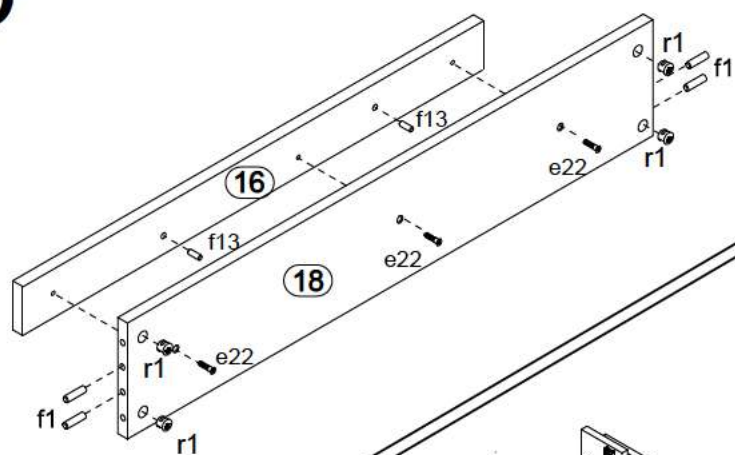
4



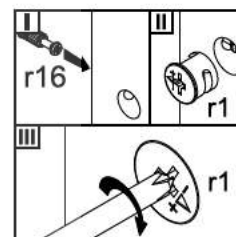
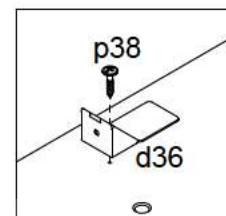
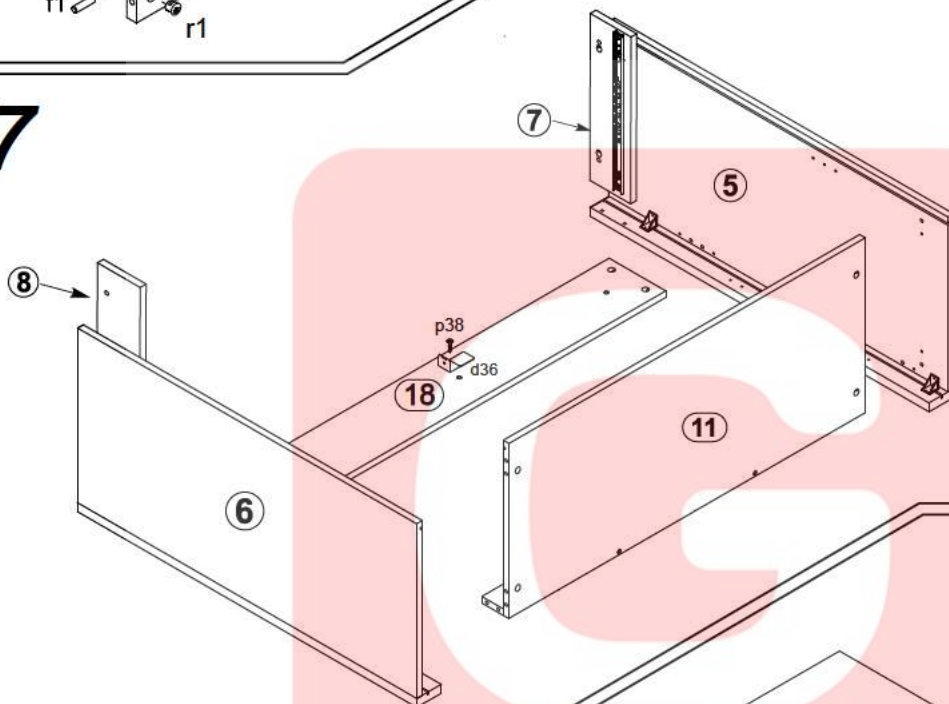
5



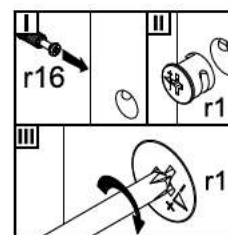
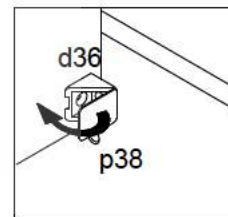
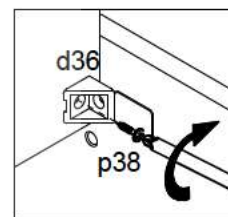
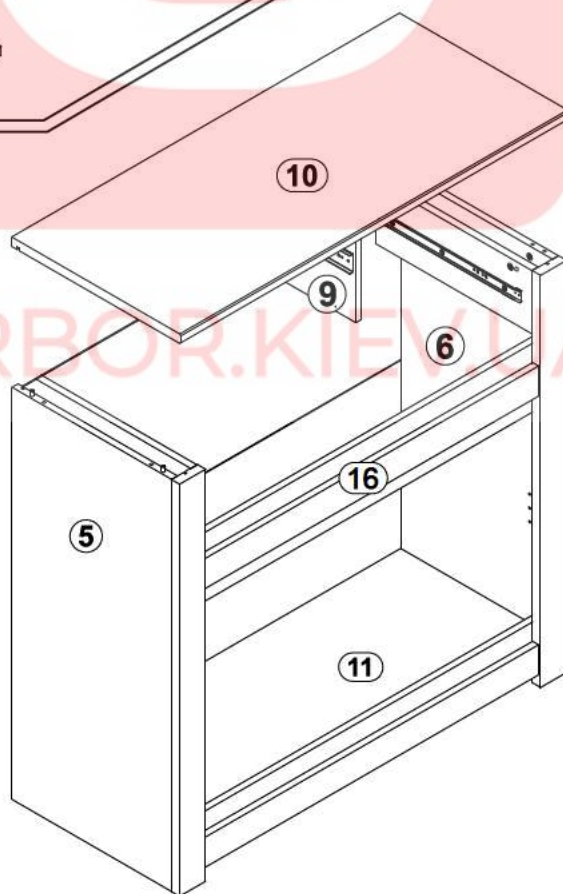
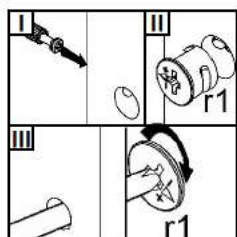
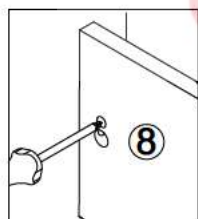
6



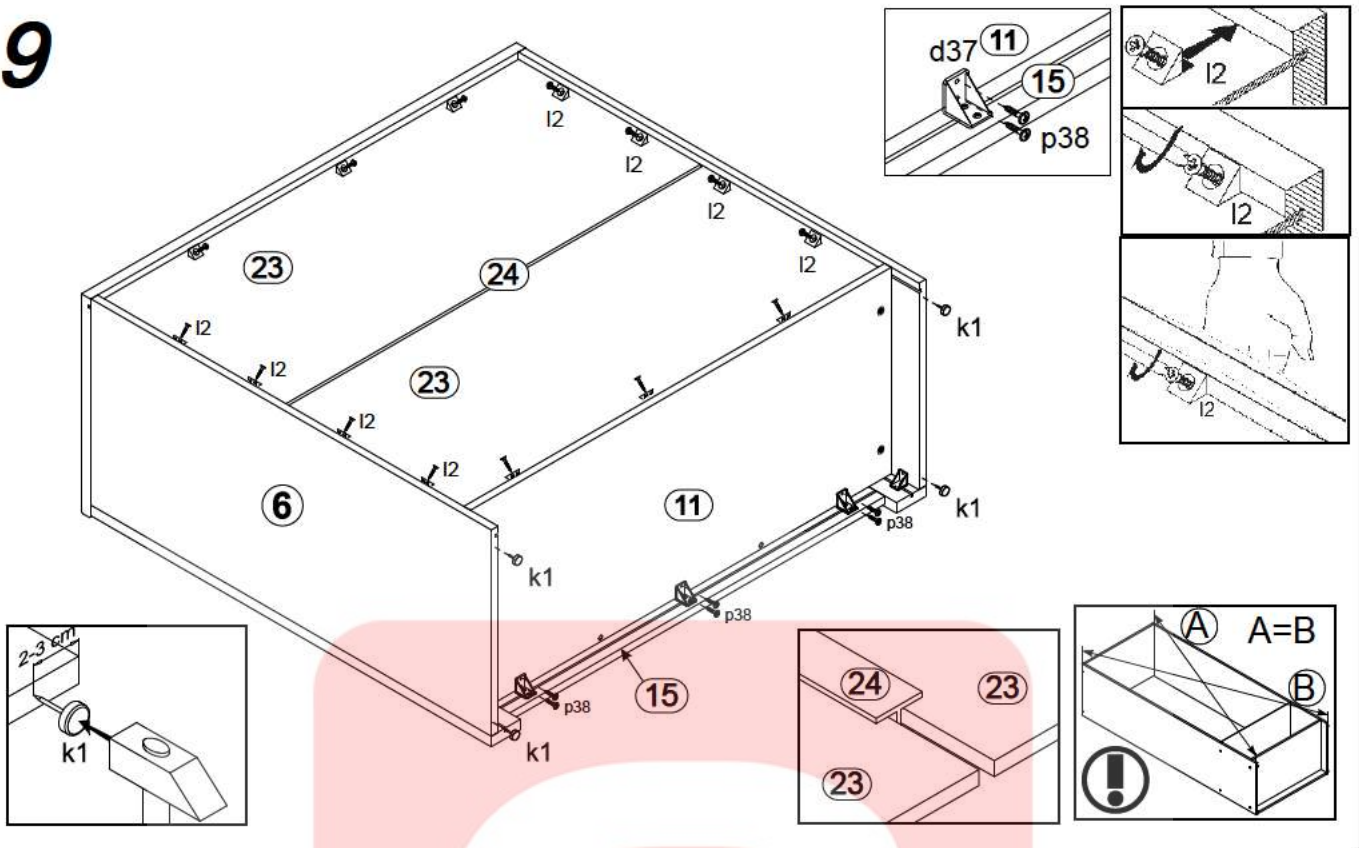
7



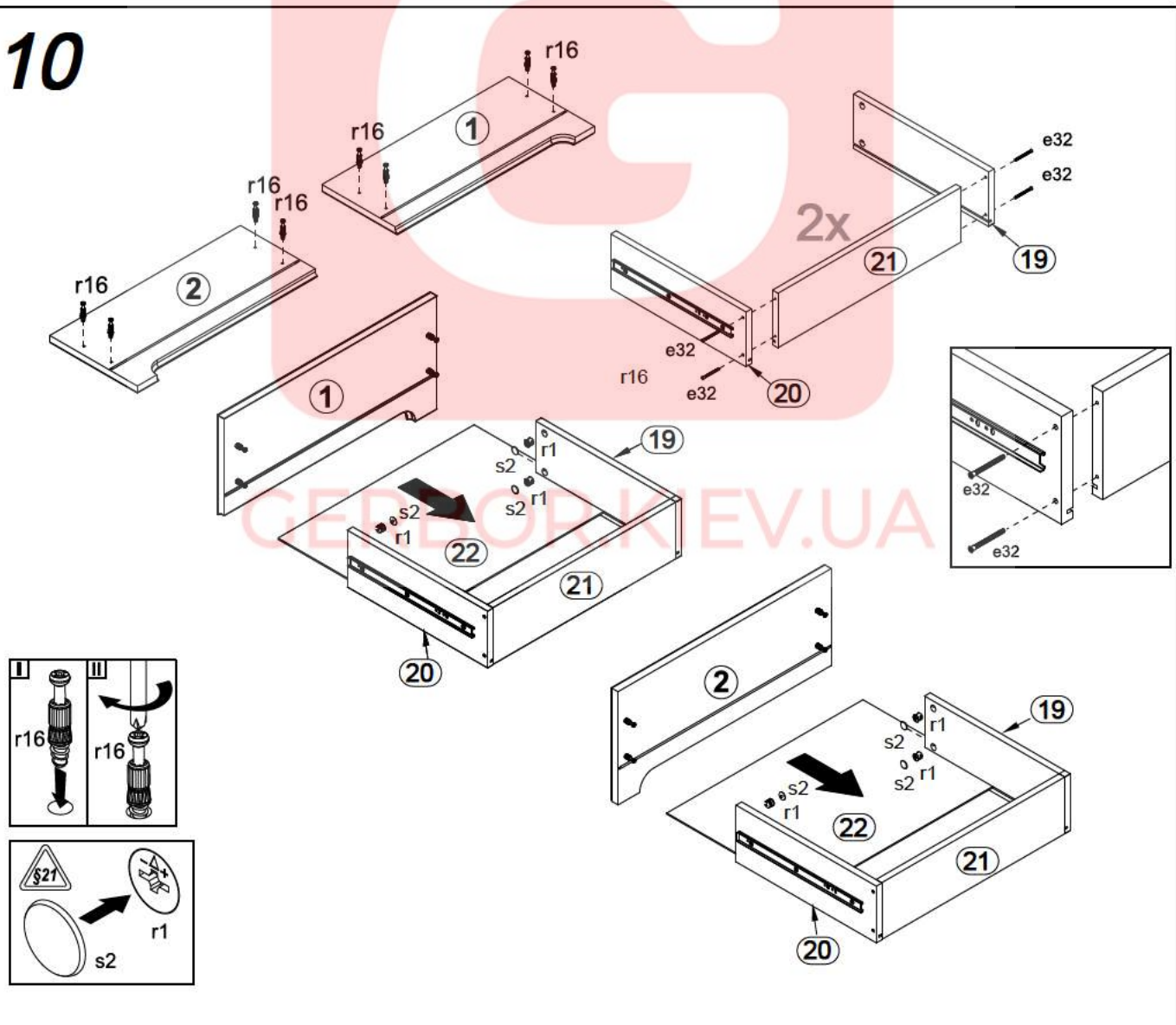
8



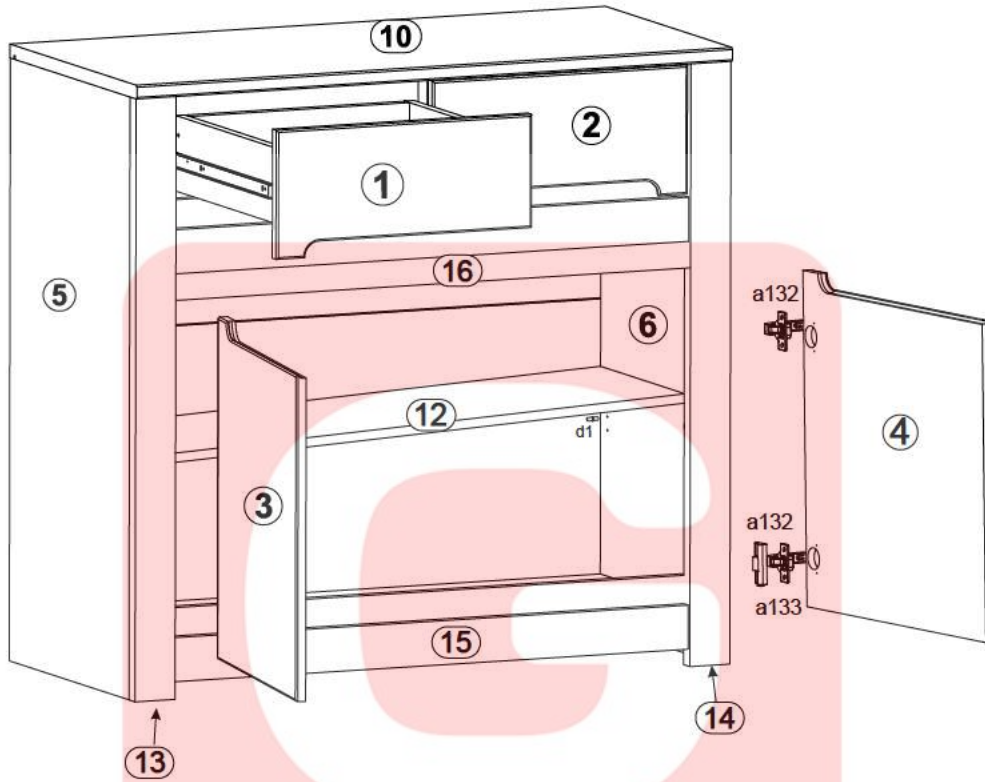
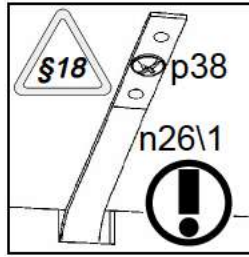
9



10



11



GERBOR.KIEV.UA

