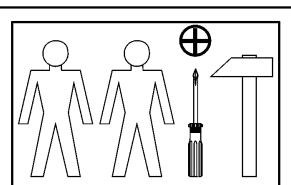
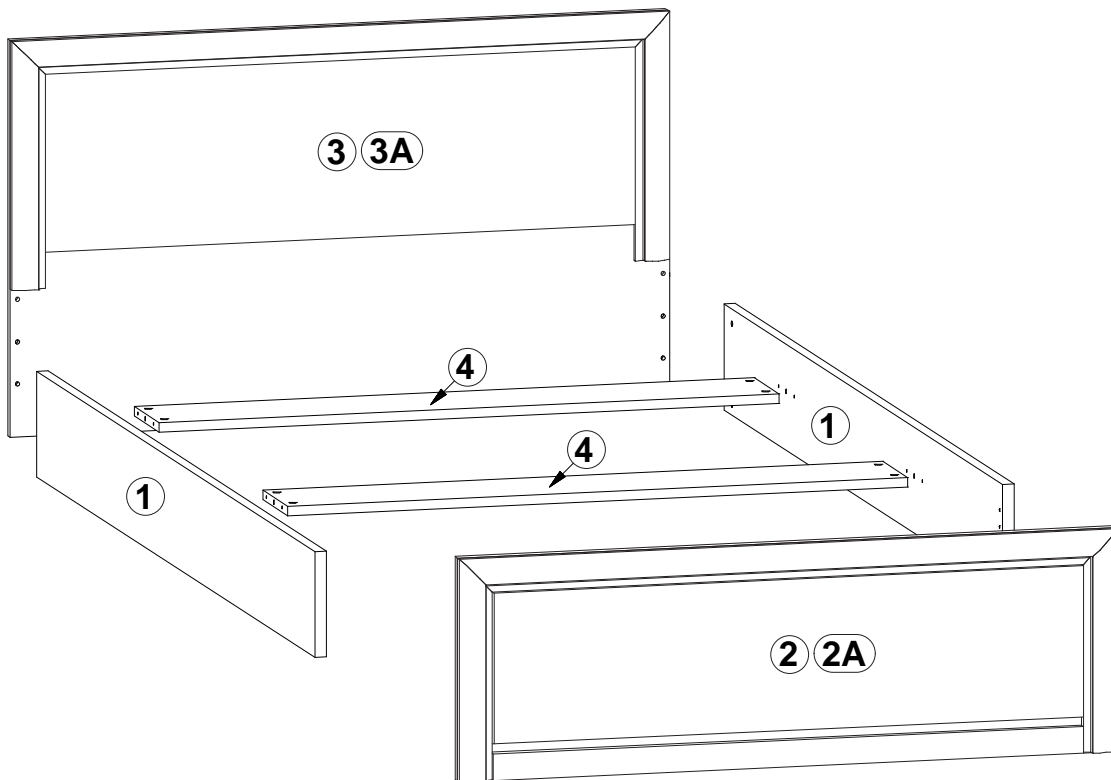
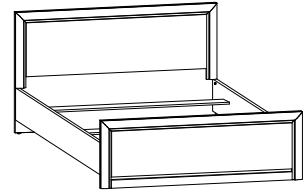


A	B	C		D
1	S136-151	2000	250	3/3
2	S136-063	1250	420	1/3
2A	S136-063A	1250	420	1/3
3	S136-061	1250	900	2/3
3A	S136-061A	1250	900	2/3
4	S136-1131	1203	200	3/3



16x



Ø6,3x13mm

e2

6x



Ø8x30mm

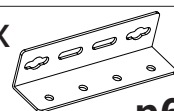
f1

4x



k1

2x



130x34x34/2mm

n63

8x



φ15x12mm #16

r1

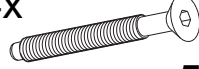
4x



Ø10x13mm

r5¹

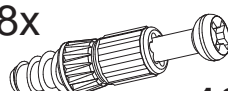
4x



Ø6x50mm

r5²

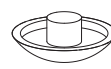
8x



20/9

r16

2x



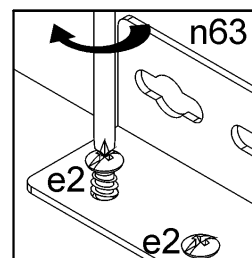
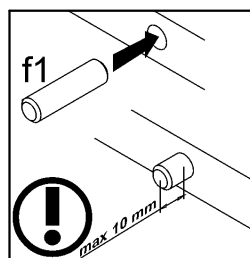
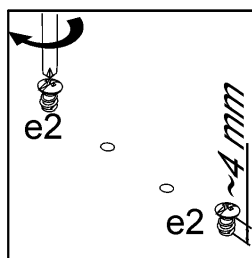
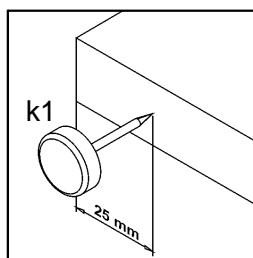
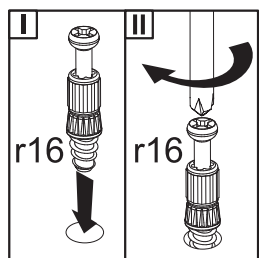
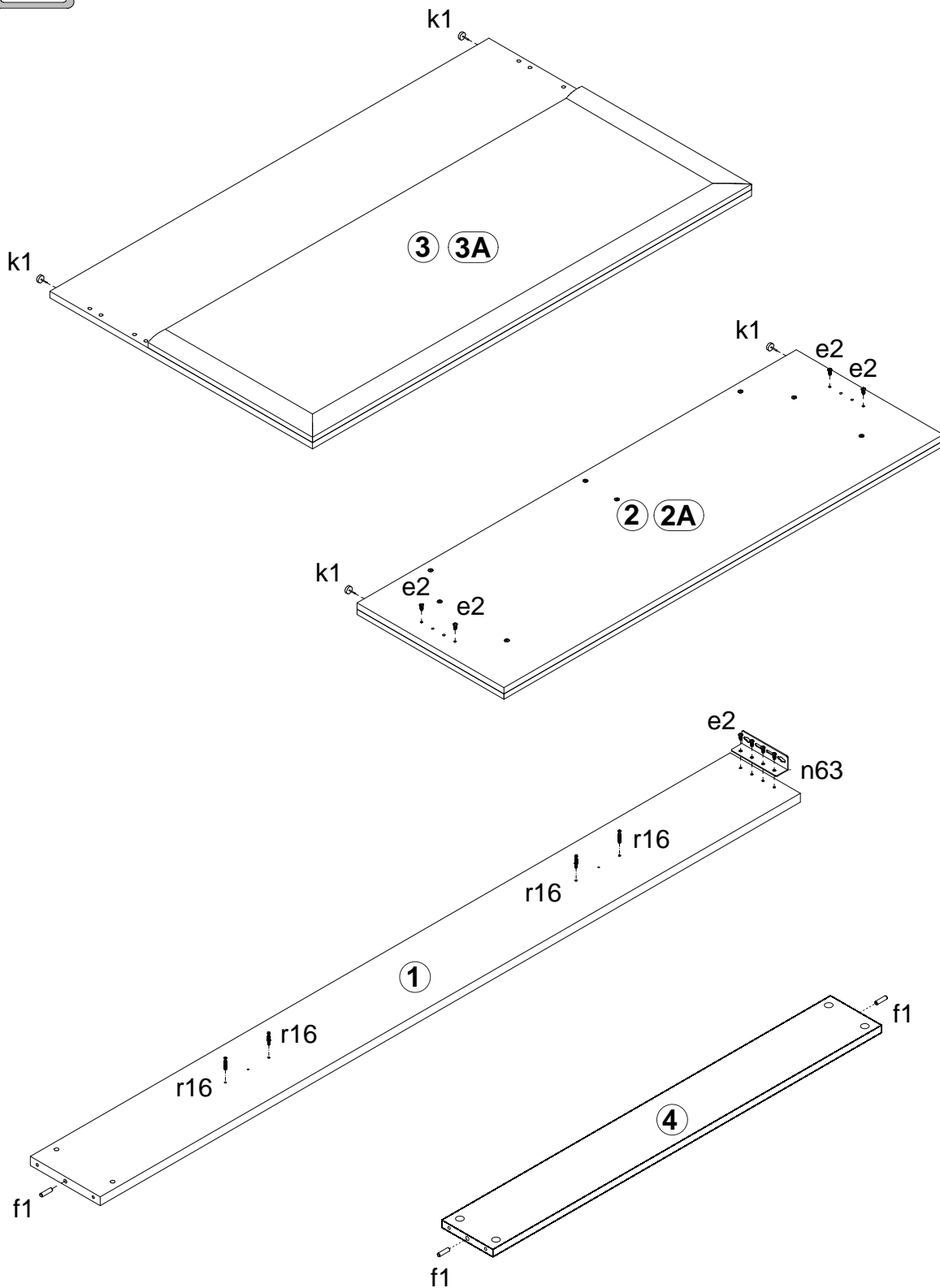
s1

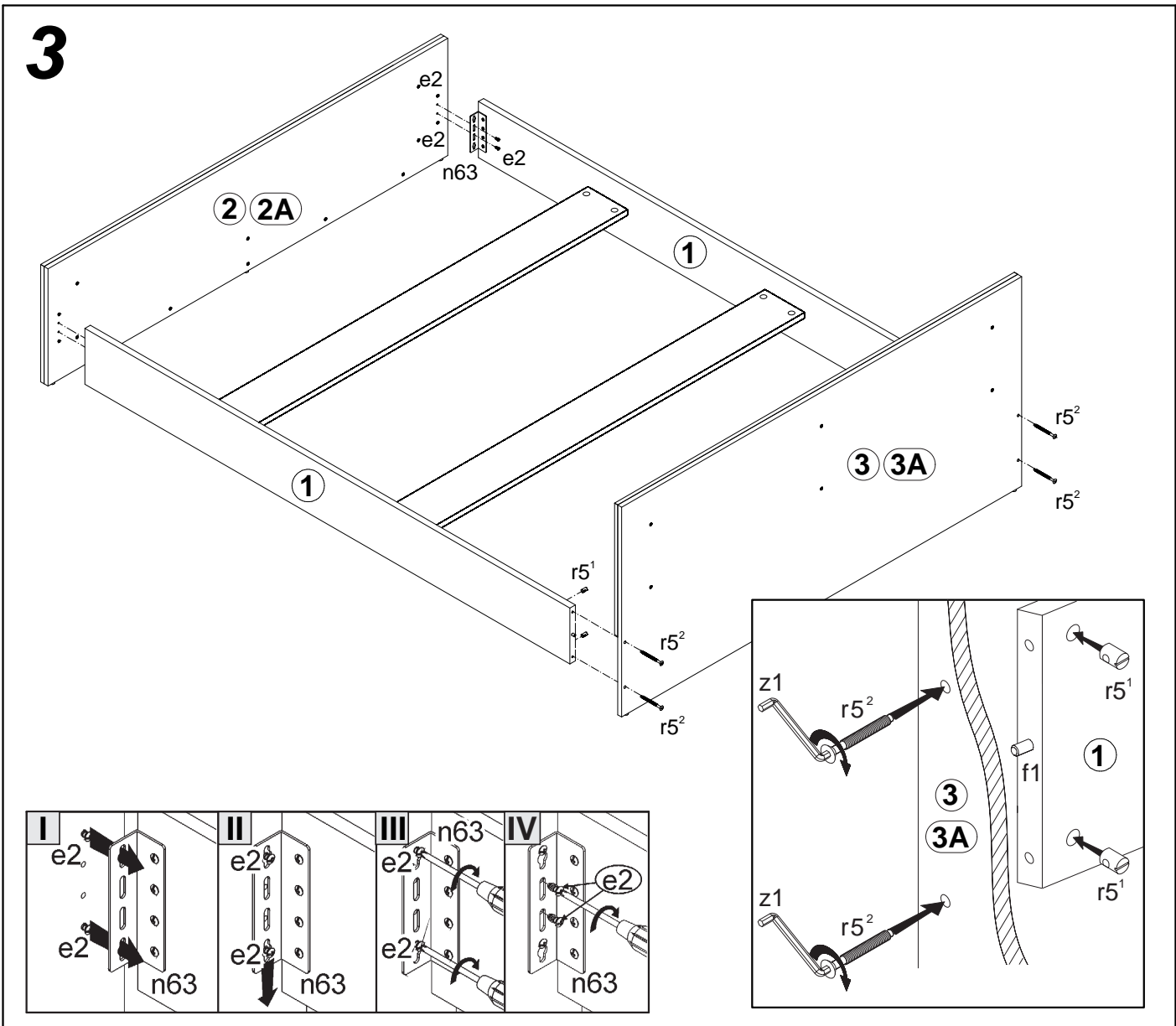
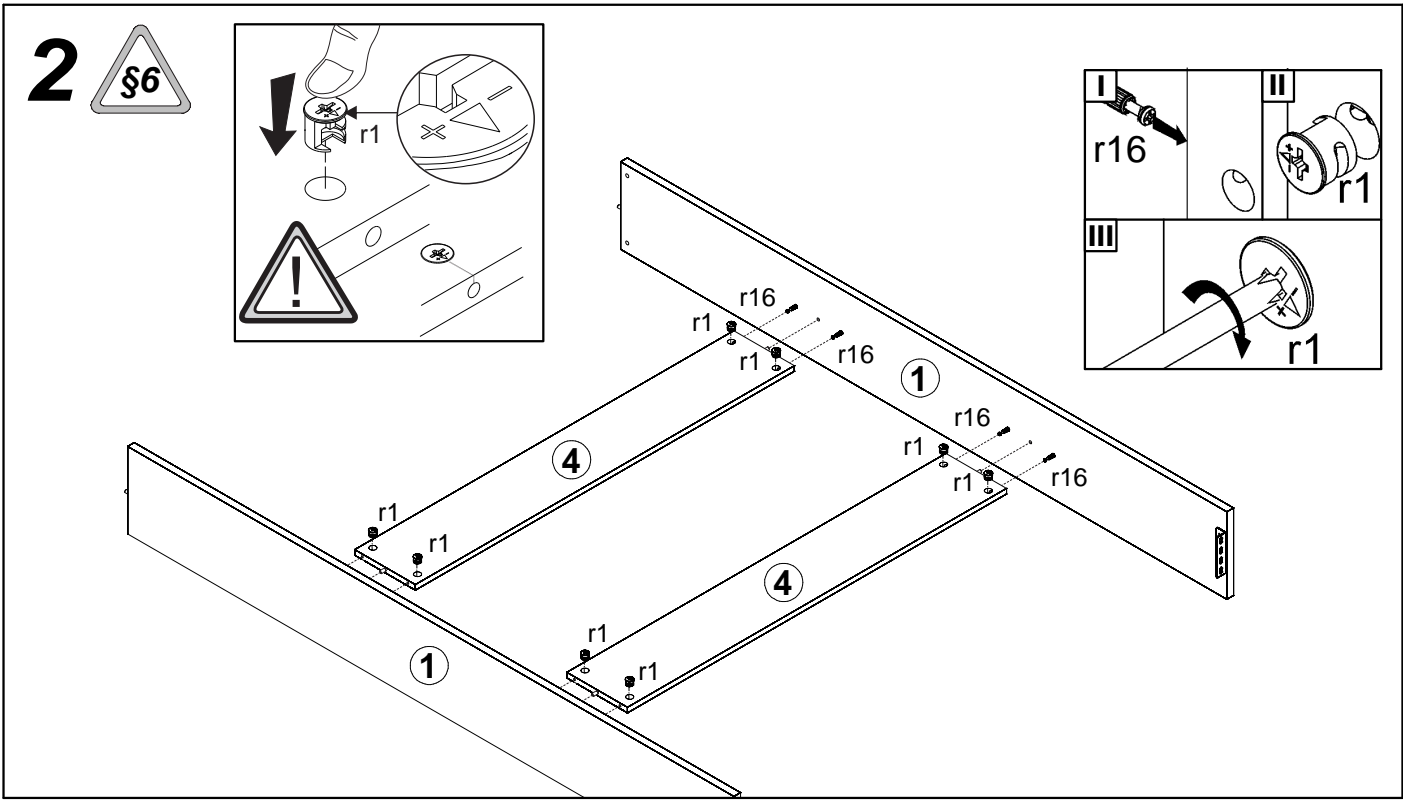
1x



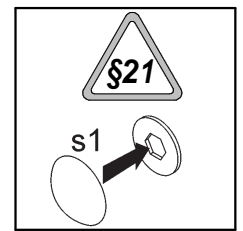
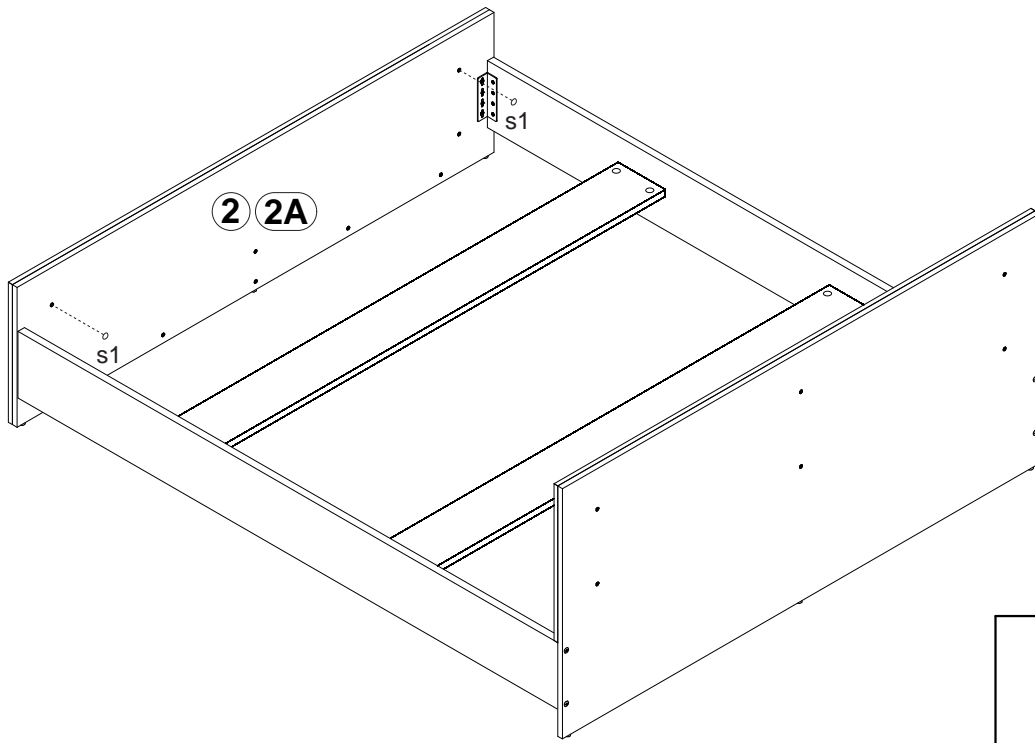
z1

1 





4



5

