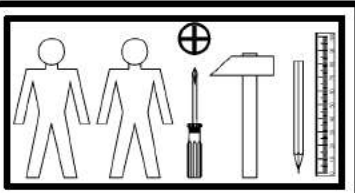
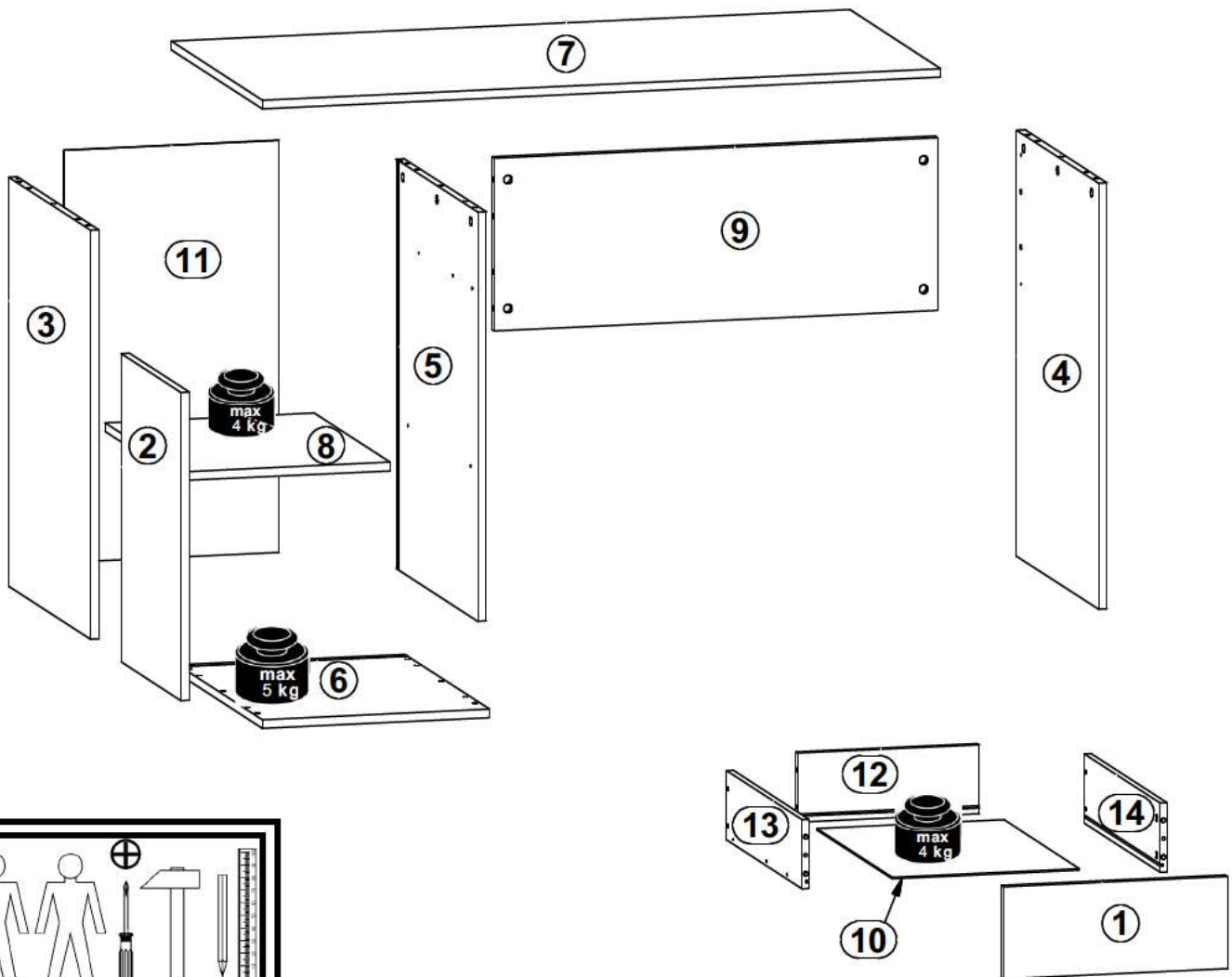
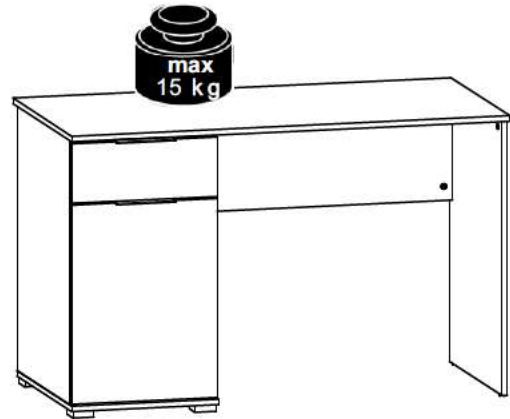
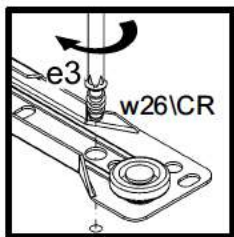
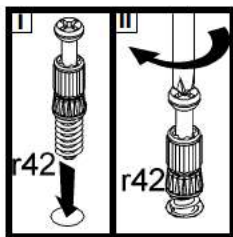
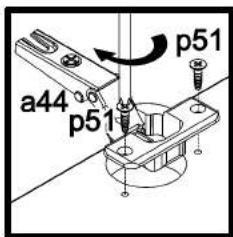
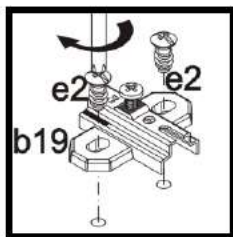
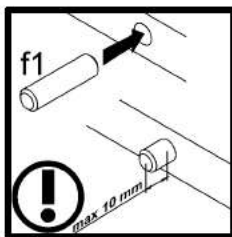
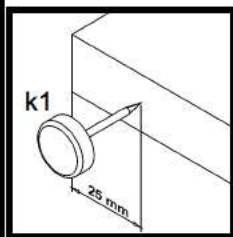
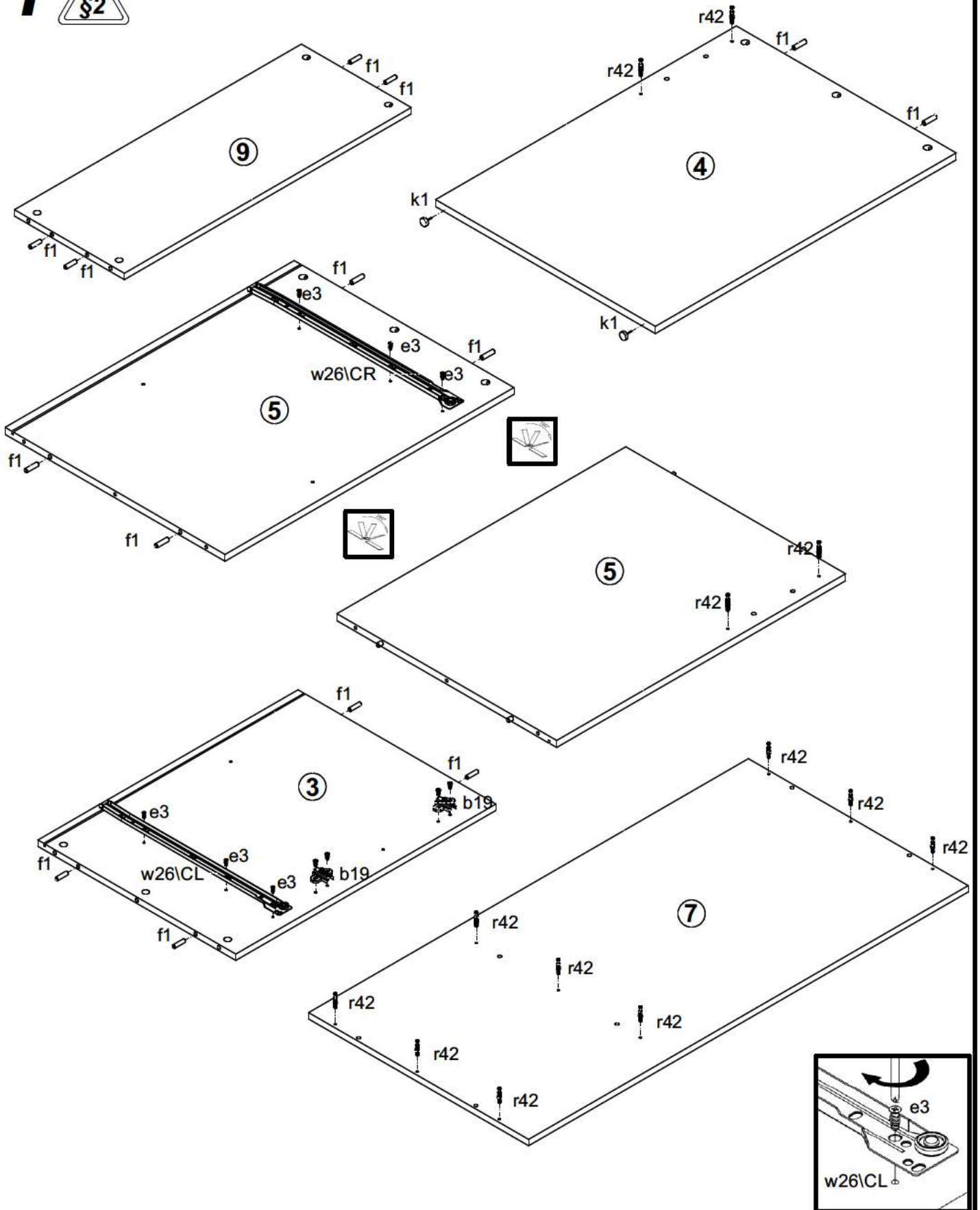


A	B	C	D	
1	S383 00014	160	396	3/3
2	S383 00015	535	396	3/3
3	S383 11019	710	540	1/3
4	S383 11020	739	540	1/3
5	S383 11021	710	540	1/3
6	S383 22015	402	559	2/3
7	S383 22016	1200	600	2/3
8	S383 33011	368	500	1/3
9	S383 44001	782	300	2/3
10	S383 99007	321	498	1/3
11	S383 99009	715	378	1/3
12	ZP 5512	311	120	1/3
13	BP 509	500	120	1/3
14	BP 510	500	120	1/3

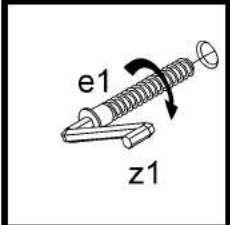
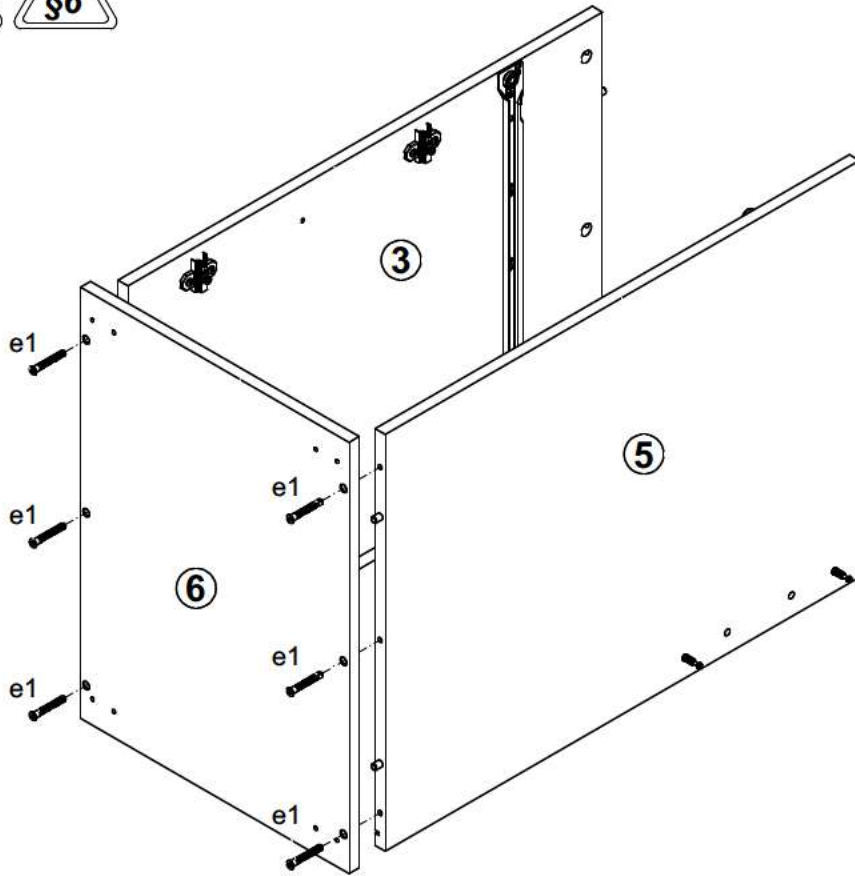


2x a44	2x b19	2x 128mm c409	4x Ø6x17 mm d1	6x Ø7x50 mm e1	6x Ø5x9 mm e19	14x Ø6x13 mm e3	14x Ø8x30 mm f1	4x Ø6,5x40 mm f25
2x Ø6x30 mm f9	2x k1	4x k82\1	4x k82\2	8x I2	4x silikon o21	4x Ø3,5x15 mm p51	4x Ø4x13 mm p93	17x Ø15x12 mm #16 r1
17x 20/11 r42	1x 500 mm w26\CL	1x 500 mm w26\CR	1x 500 mm w26\DL	1x 500 mm w26\DR	6x Ø16 s2	1x 4 mm z1		

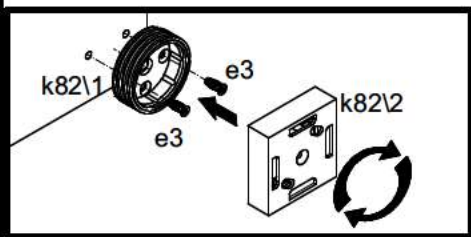
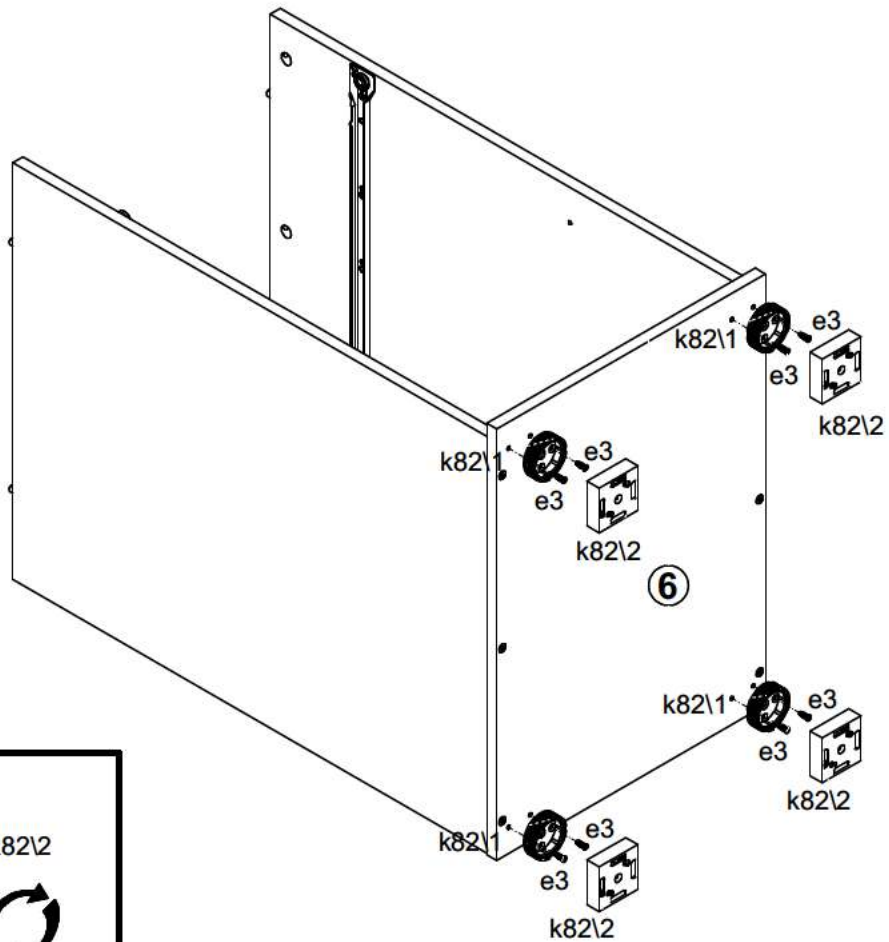
1 



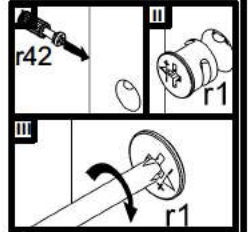
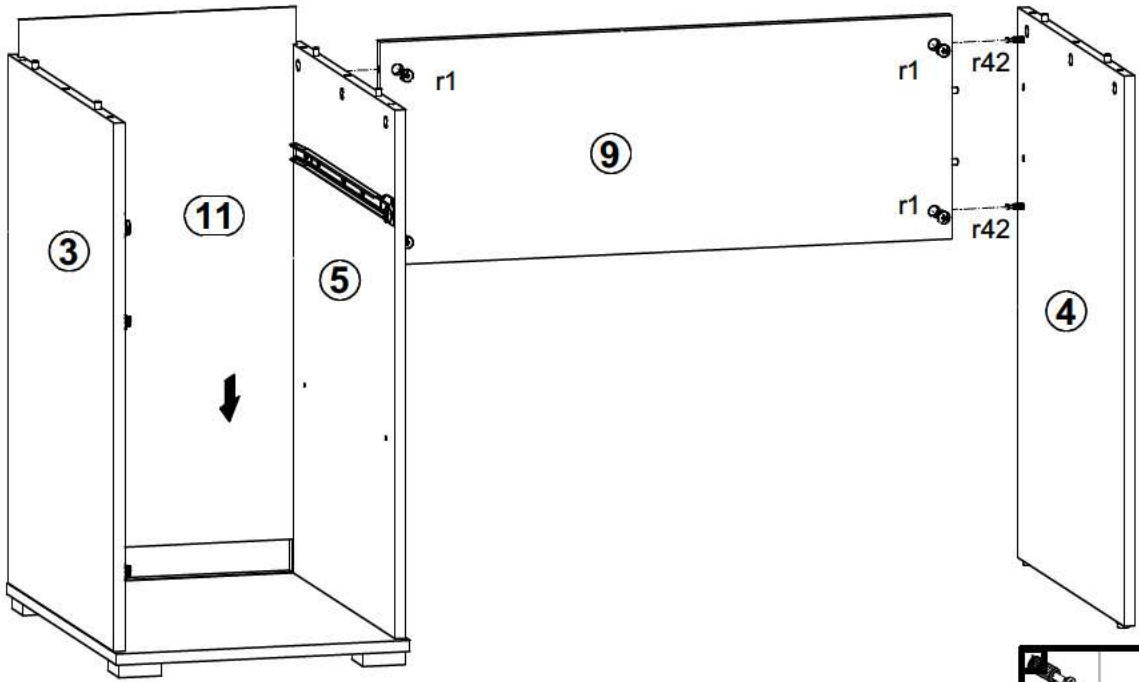
2



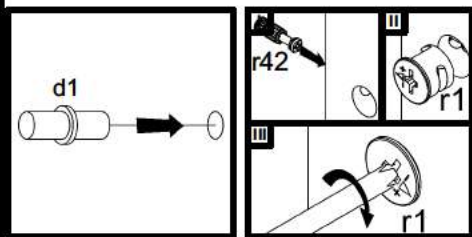
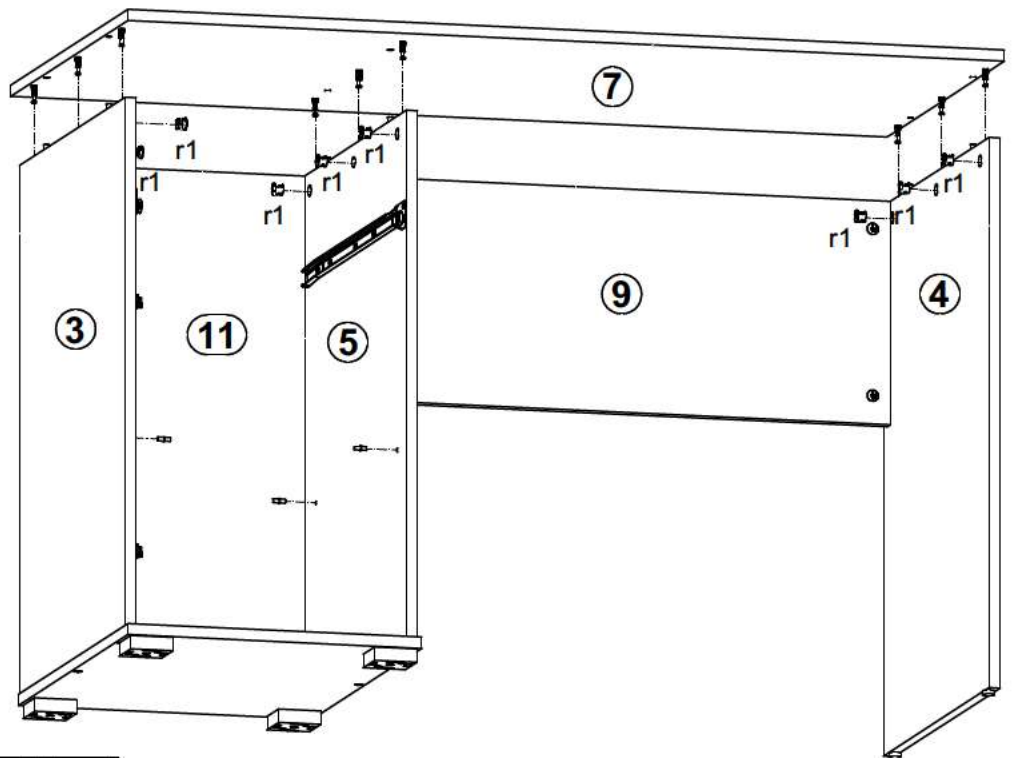
3



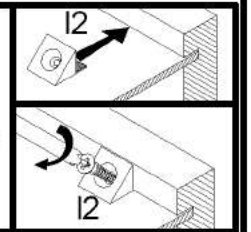
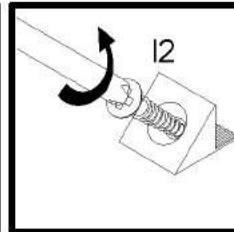
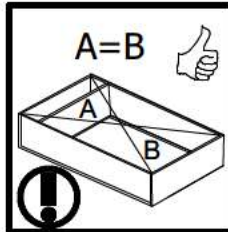
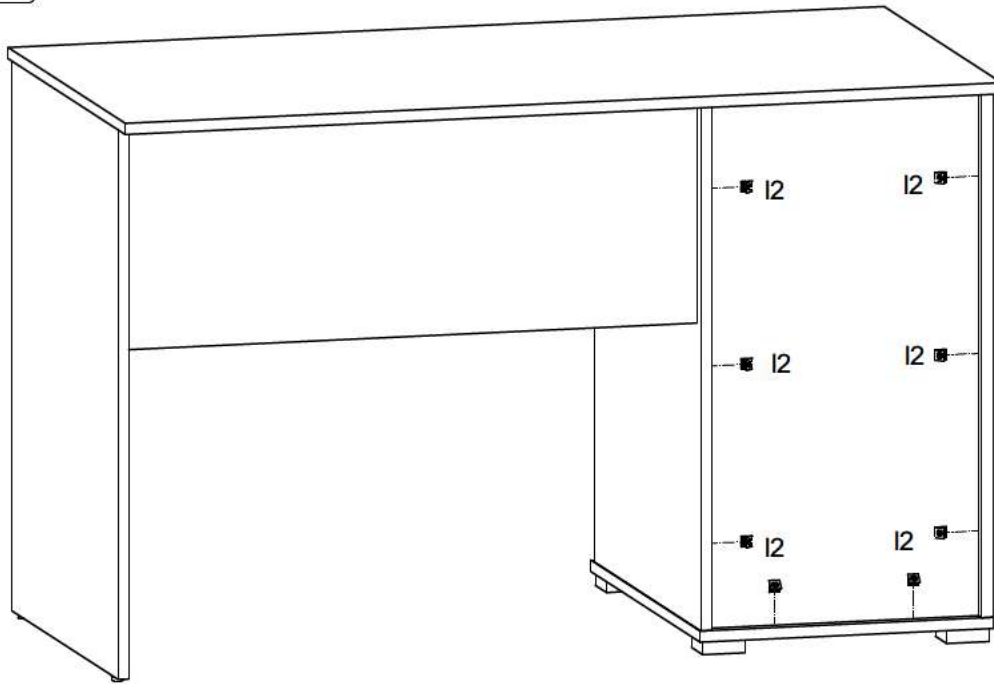
4 §6



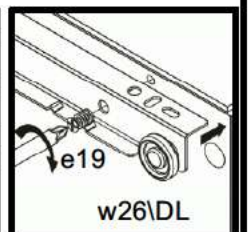
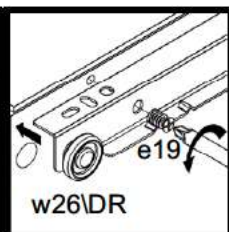
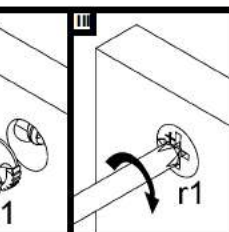
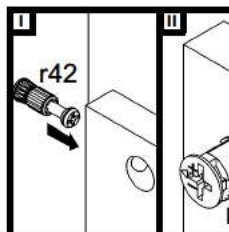
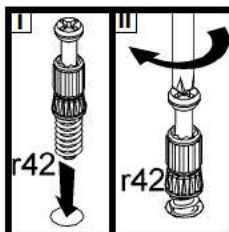
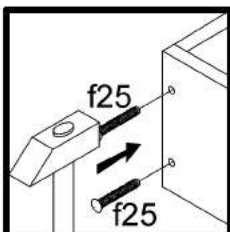
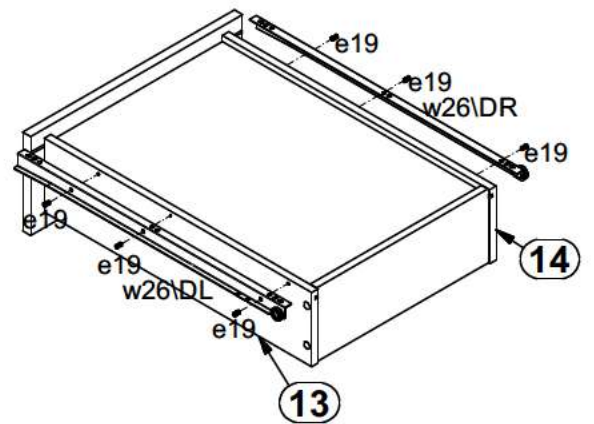
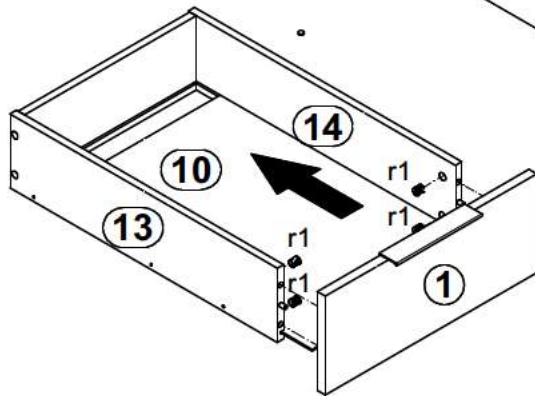
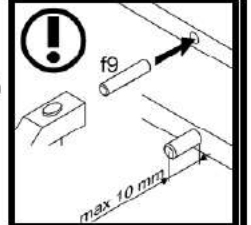
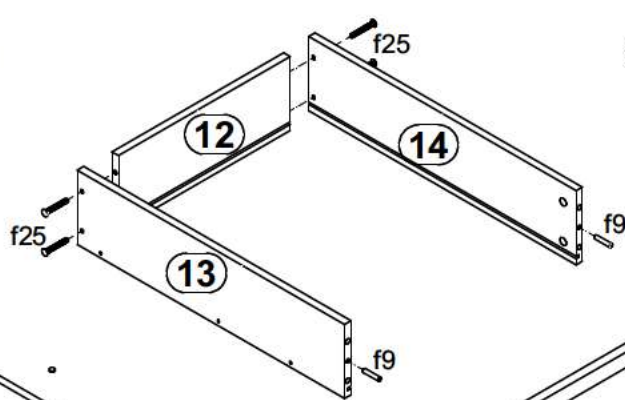
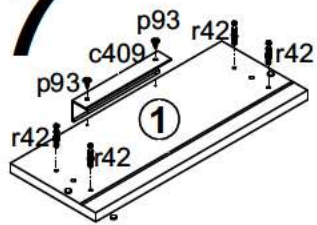
5 §2 §6



6



7



8

