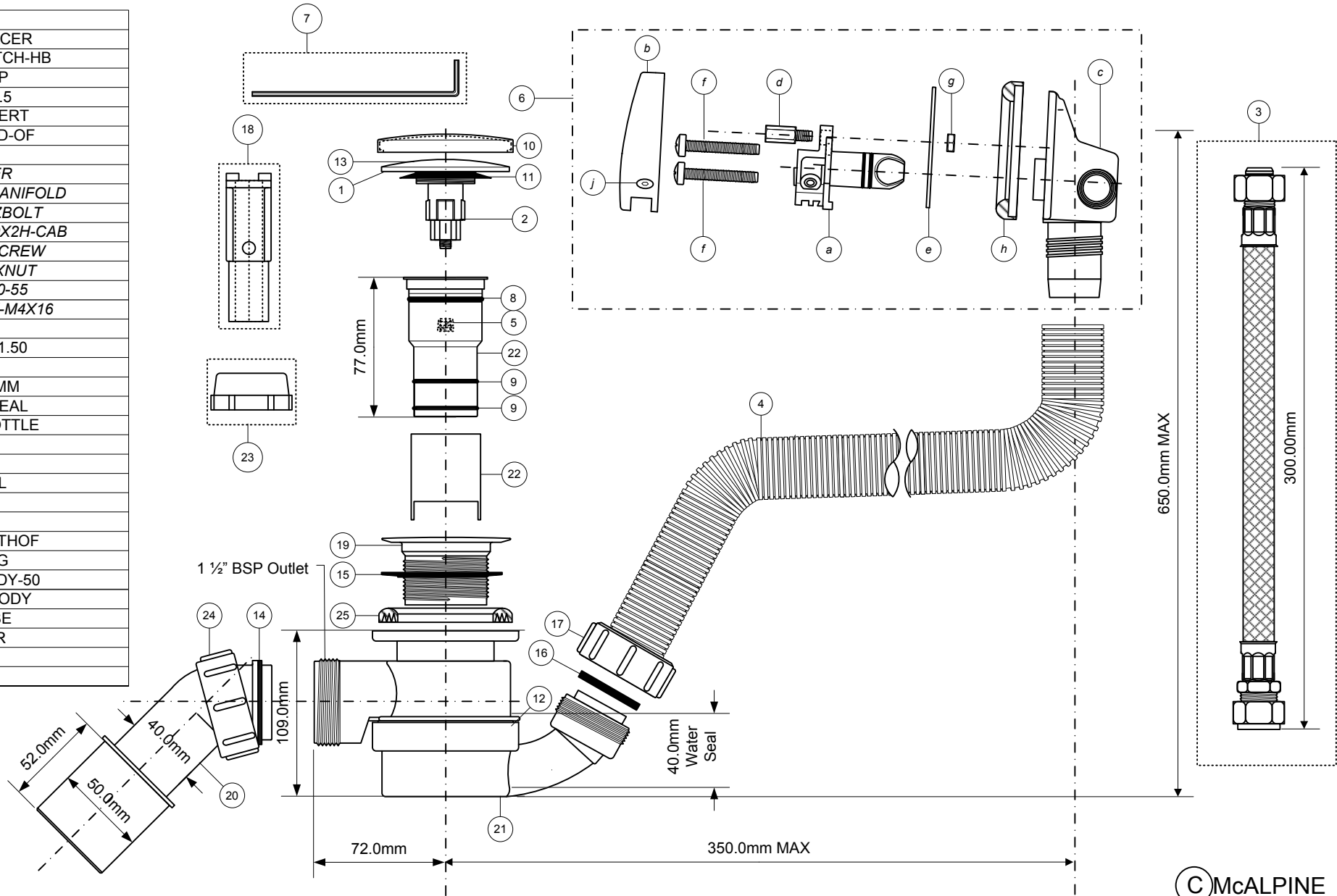


Code:

HCN2600CC

Part No.	Code
1	CLICKER-SPACER
2	CLICKERSWITCH-HB
3	FLEX-0.5INBSP
4	FLEXBATH-27.5
5	P-1/4UNC-INSERT
6	P-CPB-BM-STD-OF
a	BW70-NOZB
b	BN70CKCOVER
c	P-CPB-CAB-MANIFOLD
d	BM70-CK-NOZBOLT
e	P-OFFPLATE70X2H-CAB
f	PUW-M6X40SCREW
g	P-SS-6MMHEXNUT
h	P-RW-SEAL-70-55
j	HEXSOC-CSK-M4X16
7	P-ALLENKEY
8	P-OR-0.37.00-1.50
9	P-OR-HC26
10	PROTCAP-70MM
11	P-RW-CLICKSEAL
12	P-RW-NEWBOTTLE
13	P-SS-CHKC70
14	RW2
15	RW-HC31SEAL
16	S13-NITRILE
17	S8B
18	SPANNER-BATHOF
19	STW70CPB-NG
20	STWBENDBODY-50
21	STWHC2600BODY
22	STWHC26TUBE
23	STWSPANNER
24	T8A
25	RW-BDRSEAL



© McALPINE
02/06/2011

Drawing verified correct as of:

02/06/2011
RM

DRAWN BY

RM

REVISED

SCALE

1:3

FILENAME

HCN2600CC.VSD

DATE

02/06/2011