

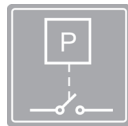
Switchmatic 3

Electronic pressure switch with dry contact output for control panels.

SWITCHMATIC 3 is an electronic pressure switch with integrated digital pressure gauge. It can manage the start and stop of single-phase electric pumps up to 3 HP (2,2 Kw). Cut-in and cut-out pressure implementation can be set easily and accurately. Wiring is carried out identically to a conventional electromechanical switch.

Its dry contact output it's ideal for transmitting an open/close signal to an external control panel.

This unit also includes a volt free contact for monitoring the alarms displayed in the screen.



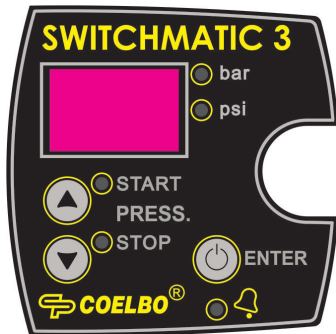
SWITCHMATIC 3



OPERATING CHARACTERISTICS

- Dry contact output for control panels.
- Volt-free contact for monitoring the alarms displayed in screen originated by irregularities or problems of the system (Only type Switchmatic 3A).
- ART function (Automatic Reset Test). If the device has been stopped due the action of the safety system against dry operation, the ART tries to connect the pump, with a programmed periodicity because the water supply could have been restored.
- Sleep mode with low power consumption.
- Inner pressure transmitter.
- Integrated pressure gauge with bar and psi instantaneous display.
- User friendly control panel with 3-digits display, led-lights and pushbuttons.
- Manual start.
- Two operation modes:
 - Differential.
 - Inversed differential.
- EMC certified and Electrical Safety certified.
- RoHs and WEEE compliant.

CONTROL PANEL

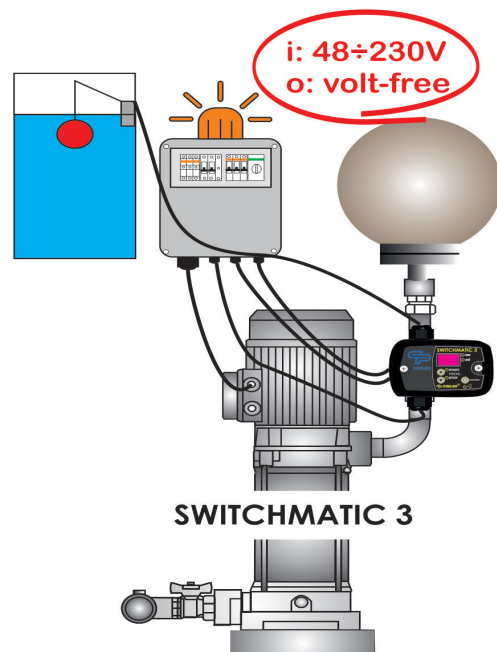
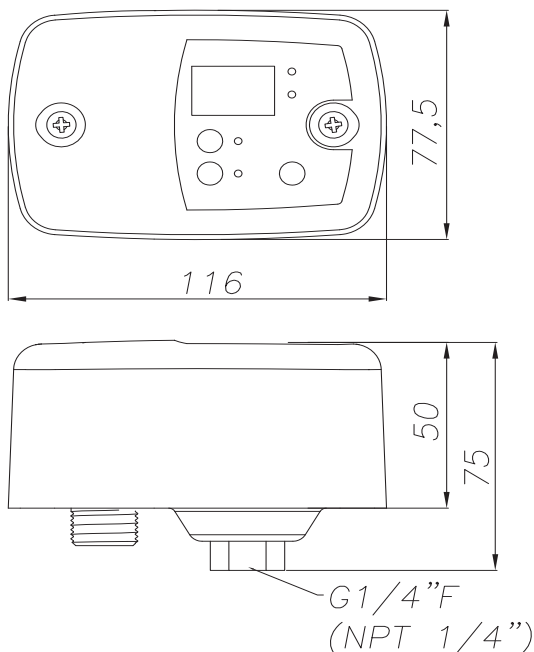


- 3 digits display:
 - Operating mode: Instantaneous pressure.
 - Set mode: Cut in and cut out pressure.
- Bar-psi led lights (green):
 - Operating mode: Bright bar or psi.
 - Pump on: Flashing bar or psi.
- Star-Stop Led (green):
 - Bright: displayed Pressure start or Pressure stop.
 - Flashing: Setting Pstart or Pstop.
- Push Buttons ▲▼: Increase or decrease configuration parameters.
- ENTER push-button:
 - Manual start and stop.
 - Confirm configuration value.
- Alarm red light 🔔: dry-run, fast cycling, pressure sensor.

TECHNICAL CHARACTERISTICS

	SWITCHMATIC 3
Power supply voltage	~1 x 48-230 Vac / Vdc
Frequency	50/60 Hz
Max. current	16 A
Output	dry-contact
Starting pressure range (cut-in)	0,5 ÷ 7 bar
Stop pressure range (cut-out)	1 ÷ 8 bar
Maximum differential	7,5 bar
Minimum differential	0,5 ÷ 1,5 bar
Factory setting (cut-in/cut-out)	3 / 4 bar
Protection degree	IP55
Max. water temperature	40 °C
Max. environment temperature	50 °C
Net weight (without cables)	0,4 kg
Inlet thread	G 1/4" F

DIMENSIONS



SWITCHMATIC 3