

WALLS

USEF/S

Instructions and warning book

 **IMMERGAS**

**EOLO MYTHOS  
DOM 10-18-24 1E**

\*1.041321ENG\*





## **Dear Customer,**

*Our compliments for having chosen a top-quality Immergas product, able to ensure well-being and safety for a long period of time. As an Immergas Customer, you can also count on a qualified after-sales service, prepared and updated to guarantee constant efficiency of your boiler. Read the following pages carefully: you will be able to draw useful suggestions regarding the correct use of the appliance. By respecting these suggestions, you will no doubt be satisfied with your Immergas product.*

*For any assistance and scheduled maintenance please contact Authorised After-Sales centres: they have original spare parts and are specifically trained by the manufacturer.*

## **General warnings**

*All Immergas products are protected with suitable transport packaging.*

*The material must be stored in a dry place protected from the weather.*

*The instruction book is an integral and essential part of the product and must also be given to the new user in the case of transfer or succession of ownership.*

*It must be stored with care and consulted carefully, as all of the warnings provide important safety indications for installation, use and maintenance stages.*

*This instructions manual provides technical information for installing Immergas boilers. As for the other issues related to boiler installation (e.g. safety at the work site, environmental protection, injury prevention), it is necessary to comply with the provisions specified in the regulations in force and principles of good practice.*

*In compliance with the legislation in force, the systems must be designed by qualified professionals, within the dimensional limits established by the Law. Installation and maintenance must be performed in compliance with the regulations in force, according to the manufacturer's instructions and by an agreed company, intended as a company with specific technical skills in the system sector, as envisioned by the Law.*

*Improper installation or assembly of the appliance and/or Immergas components, accessories, kit and devices can cause unexpected problems to people, animals and objects. Read the instructions provided with the product carefully to ensure proper installation.*

*Maintenance must be carried out by authorised technical personnel. The Authorised After-sales Service represents a guarantee of qualifications and professionalism.*

*The appliance must only be destined for the use for which it has been expressly declared. Any other use will be considered improper and therefore potentially dangerous.*

*If errors occur during installation, operation and maintenance, due to non-compliance with technical laws in force, standards or instructions contained in this book (or however supplied by the manufacturer), the manufacturer is excluded from any contractual and extra-contractual liability for any damages and the appliance warranty is invalidated.*

Product not intended for EU countries.

The manufacturer declines all liability due to printing or transcription errors, reserving the right to make any modifications to its technical and commercial documents without forewarning.

# INDEX

## INSTALLER page

1	Boiler installation.....	5
1.1	Installation recommendations.....	5
1.2	Main dimensions.....	6
1.3	Antifreeze protection.....	6
1.4	Gas connection.....	7
1.5	Hydraulic connection.....	7
1.6	Electrical connection.....	7
1.7	Remote controls and room chrono- thermostats (Optional).....	8
1.8	Flue systems.....	8
1.9	Tables of resistance factors and equivalent lengths.....	10
1.10	Cover kit installation.....	11
1.11	Concentric horizontal kit installation.....	12
1.12	Concentric vertical Kit installation.....	13
1.13	Separator kit installation.....	14
1.14	Ducting of flues or technical slots.....	16
1.15	Configuration type B <sub>22</sub> , open chamber and forced draught for indoors.....	16
1.16	Flue exhaust to flue/chimney.....	16
1.17	Flues, chimneys and chimney caps.....	16
1.18	Water treatment system filling.....	16
1.19	System filling.....	16
1.20	Gas system start-up.....	16
1.21	Boiler start up (ignition).....	17
1.22	Circulation pump.....	17
1.23	Kits available on request.....	17
1.24	Boiler components.....	18

## USER page

2	Instructions for use and maintenance.....	19
2.1	Cleaning and maintenance.....	19
2.2	General warnings.....	19
2.3	Control panel.....	19
2.4	Fault and anomaly signals.....	20
2.5	Information Menu.....	22
2.6	Resetting the anomaly history.....	22
2.7	Boiler shutdown.....	22
2.8	Restore central heating system pressure.....	22
2.9	Draining the system.....	22
2.10	Antifreeze protection.....	22
2.11	Case cleaning.....	22
2.12	Decommissioning.....	22

## MAINTENANCE TECHNICIAN page

3	Commissioning the boiler (initial check).....	23
3.1	Hydraulic diagram.....	23
3.2	Wiring diagram.....	24
3.3	Troubleshooting.....	24
3.4	Converting the boiler to other types of gas.....	24
3.5	Checks following conversion to another type of gas.....	25
3.6	Gas valve calibration.....	25
3.7	Programming the P.C.B.....	26
3.8	"Chimney sweep" function.....	27
3.9	Heating Timer.....	27
3.10	Three-way anti-block system.....	27
3.11	Pump anti-block function.....	27
3.12	Radiators antifreeze function.....	27
3.13	P.C.B. periodical self-check.....	27
3.14	Casing removal.....	28
3.15	Yearly appliance check and maintenance.....	29
3.16	Variable heat output.....	29
3.17	Combustion parameters.....	31
3.18	Technical data.....	32
3.19	Key for data nameplate.....	33

# 1 BOILER INSTALLATION.

## 1.1 INSTALLATION RECOMMENDATIONS.

The Eolo Mythos Dom 10-18-24 1E boiler has been designed for wall mounted installation only, for heating and production of domestic hot water for domestic use and similar purposes.

The place of installation of the appliance and relative Immergas accessories must have suitable features (technical and structural), such as to allow for (always in safe, efficient and comfortable conditions):

- installation (according to the provisions of technical legislation and technical regulations);
- maintenance operations (including scheduled, periodic, routine and special maintenance);
- removal (to outdoors in the place for loading and transporting the appliances and components) as well as the eventual replacement of those with appliances and/or equivalent components.

The wall surface must be smooth, without any protrusions or recesses enabling access to the rear part. They are not designed to be installed on plinths or floors (Fig. 1-1).

By varying the type of installation the classification of the boiler also varies, precisely:

- **Type B<sub>22</sub> boiler** if installed using the relevant terminal for air intake directly from the room in which the boiler has been installed.
- **Type C boiler** if installed using concentric pipes or other types of pipes envisioned for the sealed chamber boiler for intake of air and expulsion of fumes.

Only professionally enabled companies are authorised to install Immergas gas appliances.

**Attention:** the manufacturer declines all liability for damages caused by boilers removed from other systems or for any non-conformities of such equipment.

Installation must be carried out according to regulation standards, current legislation and in compliance with local technical regulations and the required technical procedures.

Before installing the appliance, ensure that it is delivered in perfect condition; if in doubt, contact the supplier immediately. Packing materials (staples, nails, plastic bags, polystyrene foam, etc.) constitute a hazard and must be kept out of the reach of children. If the appliance is installed inside or between cabinets, ensure sufficient space for normal servicing; it is therefore recommended to leave at least 45 cm between the upper part of the boiler and the ceiling and a gap of 3 cm between the boiler casing and the vertical sides of the cabinet. Keep all flammable objects away from the appliance (paper, rags, plastic, polystyrene, etc.).

Do not place household appliances underneath the boiler as they could be damaged if the safety valve intervenes (if not conveyed away by a draining funnel), or if there are leaks from the hydraulic connections; otherwise, the manufacturer cannot be held responsible for any damage caused to the household appliances.

For the aforementioned reasons, we recommend not placing furnishings, furniture, etc. under the boiler.

In the event of malfunctions, faults or incorrect operation, turn the appliance off and contact an authorised company (e.g. the Authorised Technical Assistance centre, which has specifically trained staff and original spare parts). Do not attempt to modify or repair the appliance alone. Failure to comply with the above implies personal responsibility and invalidates the warranty.

• Installation Standards:

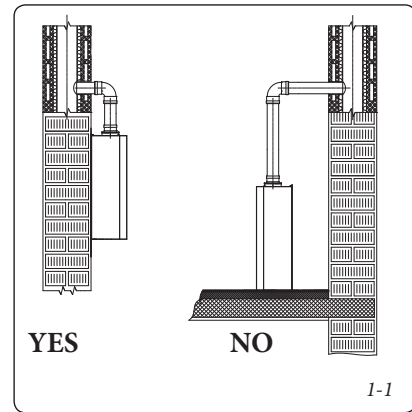
- installation of gas appliances, flue exhaust pipes and combustion air intake pipes is forbidden in places with a fire risk (for example: garages, closed parking stalls), and in potentially dangerous places.
- Installation is prohibited on the vertical projection of the cooking surface.
- Installation is forbidden in places/rooms that constitute public areas of apartment buildings, internal stairways or other escape routes (e.g. floor landings, entrance halls, etc.).
- Installation is also forbidden in places/rooms that constitute public areas of apartment buildings such as cellars, entrance halls, attics, lofts, etc., unless otherwise provided for by local regulations in force.

**Attention:** wall mounting of the boiler must guarantee stable and efficient support for the generator.

*The plugs (standard supply) are to be used only in conjunction with the mounting brackets or fixing template to fix the appliance to the wall; they only ensure adequate support if inserted correctly (according to technical standards) in walls made of solid or semi-hollow brick or block. In the case of walls made from hollow brick or block, partitions with limited static properties, or in any case walls other than those indicated, a static test must be carried out to ensure adequate mount.*

**Note: the hex head screws supplied in the blister pack are to be used exclusively to fix the relative mounting bracket to the wall.**

These boilers are used to heat water to below boiling temperature in atmospheric pressure. They must be connected to a central heating system and domestic hot water circuit suited to their performance and capacity.

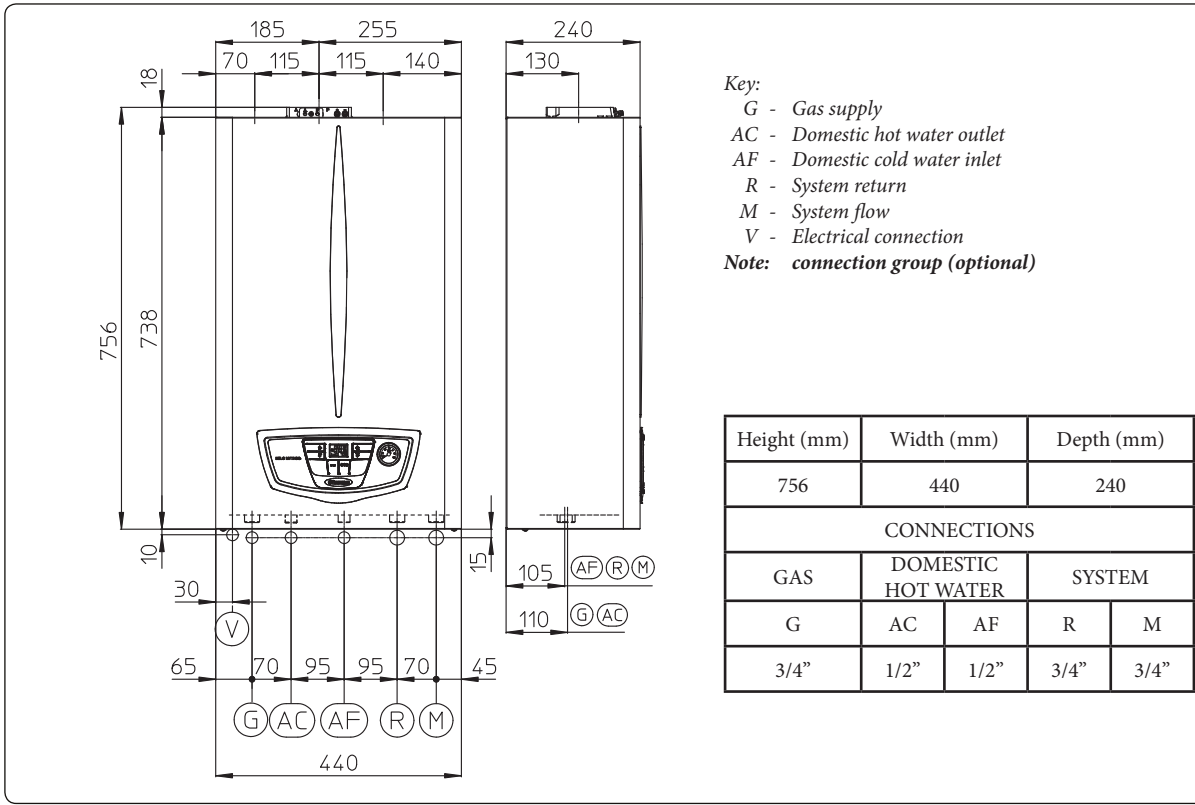


INSTALLER

USER

MAINTENANCE TECHNICIAN

**1.2 MAIN DIMENSIONS.**



1-2

**1.3 ANTIFREEZE PROTECTION.**

**Minimum temperature -5°C.** The boiler comes standard with an antifreeze function that activates the pump and burner when the system water temperature in the boiler falls below 4°C. *In these conditions the boiler is protected against freezing to an ambient temperature of -5°C.*

**Minimum temperature -15°C.** If the boiler is installed in a place where the temperature drops below -5°C, the appliance can freeze.

*To prevent the risk of freezing follow the instructions below:*

- protect the central heating circuit from freezing by inserting a good-quality antifreeze liquid into this circuit, which is specially suited for central heating systems and which is manufacturer guaranteed not to cause damage to the heat exchanger or other components of the boiler. The antifreeze liquid must not be harmful to one's health. The instructions of the manufacturer of this liquid must be followed scrupulously regarding the percentage necessary with respect to the minimum temperature at which the system must be kept.

**Warning:** the excessive use of glycol could jeopardise the proper functioning of the appliance.

An aqueous solution must be made with potential pollution class of water 2 (EN 1717:2002 or local standards in force).

*The materials used for the central heating circuit of Immergas boilers withstand ethylene and propylene glycol based antifreeze liquids (if the mixtures are prepared perfectly).*

For life and possible disposal, follow the supplier's instructions.

- Protect the domestic hot water circuit against freezing by using an accessory that is supplied on request (antifreeze kit) comprising two electric heating elements, the relevant wiring and a control thermostat (carefully read the installation instructions contained in the accessory kit pack).

*In these conditions the boiler is protected against freezing to temperature of -15°C.*

Boiler antifreeze protection (both -5°C and -15°C) is thus ensured only if:

- the boiler is correctly connected to gas and electricity power supply circuits;
- the boiler is powered constantly;
- the boiler is not in "off" mode;
- the boiler is not in anomaly conditions (Paragraph 2.4);
- the essential components of the boiler and/or antifreeze kit are not faulty.

*The warranty does not cover damage due to interruption of the electrical power supply and failure to comply with that stated on the previous page.*

**Note:** if the boiler is installed in places where the temperature falls below 0°C the domestic hot water and central heating attachment pipes must be insulated.

#### 1.4 GAS CONNECTION.

Our boilers are designed to operate with methane gas (G20) or LPG. Supply pipes must be the same as or larger than the 3/4" G boiler fitting. Before connecting the gas line, carefully clean inside all the fuel feed system pipes to remove any residue that could impair boiler efficiency. Also make sure the gas corresponds to that for which the boiler is prepared (see boiler data nameplate). If different, the boiler must be converted for operation with the other type of gas (see converting appliance for other gas types). The dynamic gas supply (methane or LPG) pressure must also be checked according to the type used in the boiler, which must be in compliance, as insufficient levels can reduce generator output and cause malfunctions.

Ensure correct gas cock connection. The gas supply pipe must be suitably dimensioned according to current regulations in order to guarantee correct gas flow rate to the burner even in conditions of maximum generator output and to guarantee appliance efficiency (technical specifications). The coupling system must conform to standards in force.

**Fuel gas quality.** The appliance was designed to operate with combustible gas free of impurities; otherwise it is advisable to fit special filters upstream of the appliance to restore the purity of the fuel.

#### Storage tanks (in case of supply from LPG depot).

- New LPG storage tanks may contain residual inert gases (nitrogen) that degrade the mixture delivered to the appliance causing functioning anomalies.
- Due to the composition of the LPG mixture, layering of the mixture components may occur during the period of storage in the tanks. This can cause a variation in the heating power of the mixture delivered to the appliance, with subsequent change in its performance.

#### 1.5 HYDRAULIC CONNECTION.

**Attention:** in order not to void the heat primary exchanger warranty, before making the boiler connections, carefully clean the heating system (pipes, radiators, etc.) with special pickling or de-scaling products to remove any deposits that could compromise correct boiler operation.

A treatment of the heating and water system water is required, in compliance with the technical standards in force, in order to protect the system and the appliance from deposits (e.g. scale), slurry or other hazardous deposits. In order not to void the heat exchanger warranty, you are required to comply with what has been prescribed in Paragraph 1.18.

Hydraulic connections must be made in a rational way using the couplings on the boiler template. The boiler safety valve outlet must be connected to a draining funnel. Otherwise, the manufacturer declines any responsibility in case of flooding if the drain valve cuts in.


**Attention:** the manufacturer declines all liability in the event of damage caused by the installation of an automatic filling system.

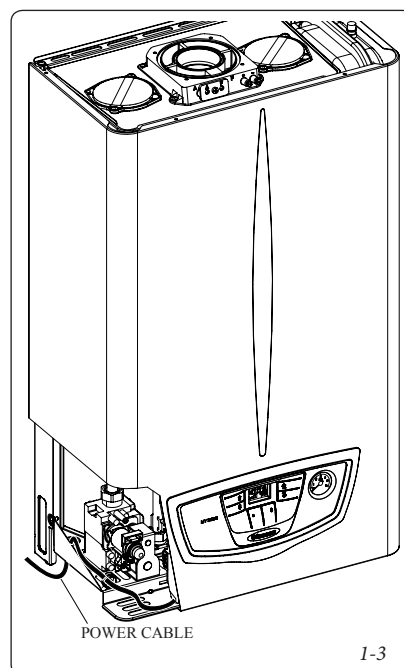
**Attention:** to preserve the duration of appliance efficiency features, in the presence of water whose features can lead to the deposit of lime scale, installation of the "polyphosphate dispenser" kit is recommended.

#### 1.6 ELECTRICAL CONNECTION.

The "Eolo Mythos Dom 10-18-24 1E" boiler has an IPX5D protection rating for the entire appliance. Electrical safety of the appliance is reached only when it is correctly connected to an efficient earthing system as specified by current safety standards.

**Attention:** the manufacturer declines any responsibility for damage or physical injury caused by failure to connect the boiler to an efficient earth system or failure to comply with the reference standards.

Also ensure that the electrical installation corresponds to maximum absorbed power specifications as shown on the boiler data nameplate. Boilers are supplied complete with an "X" type power cable without plug. The power supply cable must be connected to a 230V  $\pm 10\%$  / 50Hz mains supply respecting L-N polarity and earth connection;  this network must also have a multi-pole circuit breaker with class III overvoltage category. When replacing the power supply cable, contact a qualified firm (e.g. the Authorised After-Sales Technical Assistance Service). The power cable must be laid as shown (Fig. 1-3). In the event of mains fuse replacement on the P.C.B., use a 3.15A quick-blow fuse. For the main power supply to the appliance, never use adapters, multiple sockets or extension leads.





### 1.7 REMOTE CONTROLS AND ROOM CHRONO-THERMOSTATS (OPTIONAL).

The boiler is prepared for the application of room chrono-thermostats or remote controls, which are available as optional kits. (Fig. 1-4)

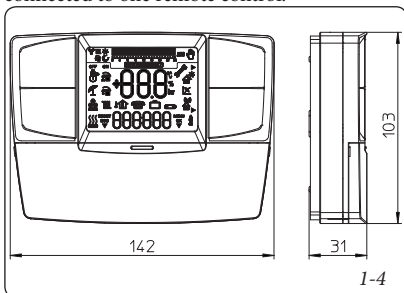
All Immergas chrono-thermostats are connected with 2 wires only. Carefully read the user and assembly instructions contained in the accessory kit.

- On/Off digital chrono-thermostat. The chrono-thermostat allows:
  - set two room temperature value: one for day (comfort temperature) and one for night (reduced temperature);
  - set a weekly programme with four daily switch on and switch off times;
  - selecting the required function mode from the various possible alternatives:
  - manual mode (with adjustable temperature).
  - automatic mode (with set programme).
  - forced automatic mode (momentarily changing the temperature of the automatic programme).

The chrono-thermostat is powered by two 1.5V LR 6 type alkaline batteries.

- Comando Amico Remoto remote control<sup>V2</sup> (CAR<sup>V2</sup>). In addition to the functions described in the previous point, the control panel enables the user to control all the important information regarding operation of the appliance and the heating system with the opportunity to easily intervene on the previously set parameters, without having to go to where the appliance is installed. The panel is provided with self-diagnosis to display any boiler functioning anomalies. The climate chrono-thermostat incorporated into the remote panel enables the system flow temperature to be adjusted to the actual needs of the room being heated, in order to obtain the desired room temperature with extreme precision and therefore with evident saving in running costs. The CAR<sup>V2</sup> is fed directly by the boiler by means of the same 2 wires used for the transmission of data between the boiler and device.

**CAR<sup>V2</sup> or chrono-thermostat On/Off electric connection (Optional).** *The operations described below must be performed after having removed the voltage from the appliance.* Any On/Off room chrono-thermostat must be connected to clamps 40 and 41 eliminating jumper X40 (Fig. 3-2). Make sure that the On/Off thermostat contact is of the "clean" type, i.e. independent of the mains voltage, otherwise the P.C.B. would be damaged. Any CAR<sup>V2</sup> must be connected to clamps 40 and 41 eliminating jumper X40 on the circuit board, paying attention not to invert the polarity in the connections (Fig. 3-2). Connection with the wrong polarity prevents functioning, but without damaging the CAR<sup>V2</sup>. The boiler can only be connected to one remote control.



**Important:** if the CAR<sup>V2</sup> remote control is used, arrange two separate lines in compliance with current regulations regarding electrical systems. No boiler pipes must ever be used to earth the electric system or telephone lines. Ensure elimination of this risk before making the boiler electrical connections.

### 1.8 FLUE SYSTEMS.

The manufacturer suggests the use of your own flue installation by supplying various solutions separately from the boilers regarding the installation of air intake terminals and flue exhaust, which are fundamental for boiler operation.

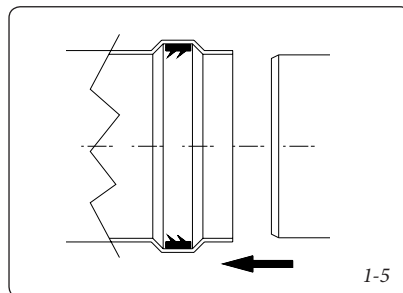
**Attention: the boiler must only be installed together with an original Immergas air intake and flue gas exhaust system, except for the C6 configuration, in compliance with the standards in force. This system can be identified by an identification mark and special distinctive marking bearing the note "not for condensing boilers".**

The flue exhaust pipes must not be in contact with or be near to flammable materials. Moreover, they must not pass through buildings or walls made of flammable material.

- Resistance factors and equivalent lengths. Each flue component has a *Resistance Factor* based on experimental tests and specified in the table below. The Resistance Factor for individual components is independent from the type of boiler on which it is installed and has a dimensionless size. It is however, conditioned by the temperature of the fluids that pass through the pipe and therefore, varies according to applications for air intake or flue exhaust. Each single component has a resistance corresponding to a certain length in metres of pipe of the same diameter; the so-called *equivalent length*, can be obtained from the ratio between the relative Resistance Factors. *All boilers have an experimentally obtainable maximum Resistance Factor equal to 100.* The maximum Resistance Factor allowed corresponds to the resistance encountered with the maximum allowed pipe length for each type of Terminal Kit. This information allows calculations to be made to verify the possibility of setting up various flue configurations.

**Note:** to dimension the flue ducting using commercial components, refer to the table of combustion parameters (Paragraph 3.17).

- **Positioning of double lip seals.** For correct positioning of lip seals on elbows and extensions, follow the assembly direction shown in the figure (Fig. 1-5).
- Coupling extension pipes and concentric elbows. To install push-fitting extensions with other elements of the flue, proceed as follows: Install the concentric pipe or elbow with the male side (smooth) on the female side (with lip



seal) to the end stop on the previously installed element in order to ensure sealing efficiency of the coupling.

**Attention:** if the exhaust terminal and/or concentric extension pipe needs shortening, consider that the internal duct must always protrude by 5 mm with respect to the external duct.

- **Note:** for safety purposes, do not obstruct the boiler intake/exhaust terminal, even temporarily.
- **Note:** during the installation of the horizontal pipes one must maintain a minimum inclination of the pipes of 3% towards the boiler and a section clamp with gusset must be installed every 3 metres for non-insulated pipes and one every 2 metres for insulated pipes.

**Diaphragm installation.** For proper boiler operation a diaphragm must be installed on the outlet of the sealed chamber and before the intake and exhaust pipe (Fig. 1-6).

The appropriate diaphragm is chosen based on type of pipe and its maximum extension: this calculation can be made using the tables below:

**Note:** the diaphragms are supplied together with the boiler.



**Attention: only for installations with divided terminals 80/80 it is necessary to remove the plug located under the sealed chamber, as shown in the Fig. 1-7).**

Diaphragm	Duct length in metres Ø 60/100 horizontal
Ø 87 (ref. 2 fig. 1-6)	From 0.35 to 1.5
Ø 85 (ref. 1 fig. 1-6)	From 1.5 to 3.0

Diaphragm	Duct length in metres Ø 60/100 vertical
Ø 87 (ref. 2 fig. 1-6)	From 0.35 to 3.7
Ø 85 (ref. 1 fig. 1-6)	From 3.7 to 4.7

Diaphragm	Duct length in metres Ø 80/125 horizontal
Ø 87 (ref. 2 fig. 1-6)	From 0.35 to 4.6
Ø 85 (ref. 1 fig. 1-6)	From 4.6 to 7.4

Diaphragm	Duct length in metres Ø 80/125 vertical
Ø 87 (ref. 2 fig. 1-6)	From 0.35 to 9.5
Ø 85 (ref. 1 fig. 1-6)	From 9.5 to 12.2

Diaphragm		(*) Extension in metres Ø 80 horizontal pipe with two bends
exhaust	intake	
---	Ø 45	From 0 to 28
15 blade (ref. 3 fig. 1-6)	Ø 45	Exceeding 28 up to 35

Diaphragm		(*) Extension in metres Ø 80 vertical pipe without bends
exhaust	intake	
---	Ø 45	From 0 to 33
15 blade (ref. 3 fig. 1-6)	Ø 45	Exceeding 33 up to 40

Diaphragm		(**) Extension in metres Ø 80 horizontal pipe with two bends
exhaust	intake	
---	Ø 45	From 0 to 27

Diaphragm		(**) Extension in metres Ø 80 vertical pipe without bends
exhaust	intake	
---	Ø 45	From 0 to 27

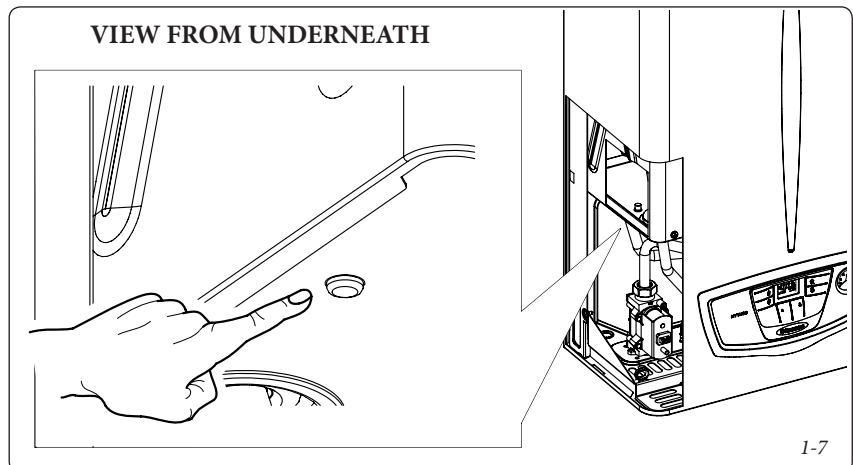
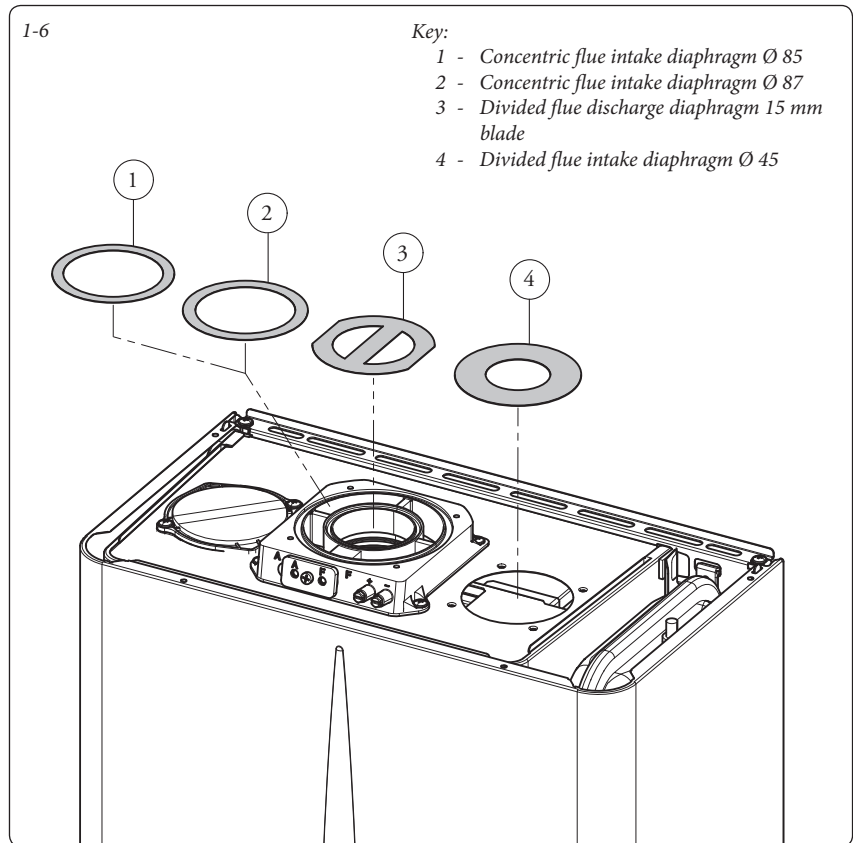
Diaphragm		(***) Extension in metres Ø 80 horizontal pipe with two bends
exhaust	intake	
---	Ø 45	From 0 to 10
15 blade (ref. 3 fig. 1-6)	Ø 45	Exceeding 10 up to 18

Diaphragm		(***) Extension in metres Ø 80 vertical pipe without bends
exhaust	intake	
---	Ø 45	From 0 to 15
15 blade (ref. 3 fig. 1-6)	Ø 45	Exceeding 15 up to 23

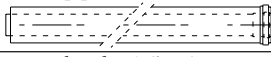
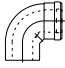
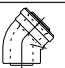
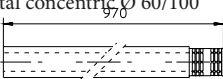
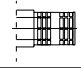
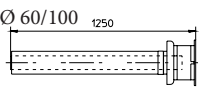
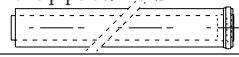
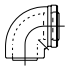

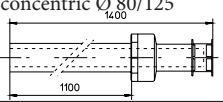
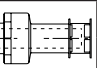
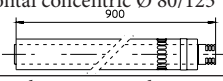
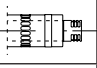
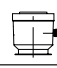
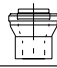
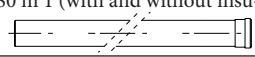
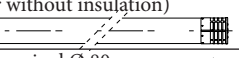
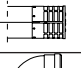
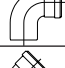
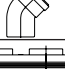
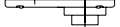
(\*) These maximum extension values are considered intake with 1 metre of exhaust pipe.

(\*\*) These maximum extension values are considered exhaust with 1 metre of intake pipe.

(\*\*\*) These maximum extension values are considered exhaust with 16 metres of intake pipe.



**1.9 TABLES OF RESISTANCE FACTORS AND EQUIVALENT LENGTHS.**

TYPE OF DUCT	Resistance Factor (R)	Equivalent length in m of concentric pipe Ø 60/100	Equivalent length in m of concentric pipe Ø 80/125	Equivalent length in m of pipe Ø 80
Concentric pipe Ø 60/100 m 1 	Intake and Exhaust 16.5	<b>m 1</b>	m 2.8	Intake m 7.1 Exhaust m 5.5
Concentric bend 90° Ø 60/100 	Intake and Exhaust 21	<b>m 1.3</b>	m 3.5	Intake m 9.1 Exhaust m 7.0
Concentric bend 45° Ø 60/100 	Intake and Exhaust 16.5	<b>m 1</b>	m 2.8	Intake m 7.1 Exhaust m 5.5
Terminal complete with intake-exhaust horizontal concentric Ø 60/100 	Intake and Exhaust 46	<b>m 2.8</b>	m 7.6	Intake m 20 Exhaust m 15
Intake-exhaust terminal horizontal concentric Ø 60/100 	Intake and Exhaust 32	<b>m 1.9</b>	m 5.3	Intake m 14 Exhaust m 10.6
Intake-exhaust terminal vertical concentric Ø 60/100 	Intake and Exhaust 41.7	<b>m 2.5</b>	m 7	Intake m 18 Exhaust 14
Concentric pipe 80/125 Ø m 1 	Intake and Exhaust 6	m 0.4	<b>1.0 m</b>	Intake m 2.6 Exhaust m 2.0
Concentric bend 90° 80/125 Ø 	Intake and Exhaust 7.5	m 0.5	<b>m 1.3</b>	Intake m 3.3 Exhaust m 2.5
Concentric bend 45° Ø 80/125 	Intake and Exhaust 6	m 0.4	<b>1.0 m</b>	Intake m 2.6 Exhaust m 2.0
Terminal complete with intake-exhaust vertical concentric Ø 80/125 	Intake and Exhaust 33	m 2.0	<b>m 5.5</b>	Intake m 14.3 Exhaust m 11.0
Intake-exhaust terminal vertical concentric Ø 80/125 	Intake and Exhaust 26.5	m 1.6	<b>m 4.4</b>	Intake m 11.5 Exhaust m 8.8
Terminal complete with intake-exhaust horizontal concentric Ø 80/125 	Intake and Exhaust 39	m 2.3	<b>m 6.5</b>	Intake m 16.9 Exhaust m 13
Intake-exhaust terminal horizontal concentric Ø 80/125 	Intake and Exhaust 34	m 2.0	<b>m 5.6</b>	Intake m 14.8 Exhaust m 11.3
Concentric adapter from Ø 60/100 to Ø 80/125 with condensate trap 	Intake and Exhaust 13	m 0.8	<b>m 2.2</b>	Intake m 5.6 Exhaust m 4.3
Concentric adapter from Ø 60/100 to Ø 80/125 	Intake and Exhaust 2	m 0.1	<b>m 0.3</b>	Intake m 0.8 Exhaust m 0.6
Pipe Ø 80 m 1 (with and without insulation) 	Intake 2.3 Exhaust 3	m 0.1 m 0.2	m 0.4 m 0.5	<b>Intake m 1.0</b> <b>Exhaust m 1.0</b>
Complete intake terminal Ø 80 m 1 (with or without insulation) 	Intake 5	m 0.3	m 0.8	<b>Intake m 2.2</b>
Intake terminal Ø 80 Exhaust terminal Ø 80 	Intake 3 Exhaust 2.5	m 0.2 m 0.1	m 0.5 m 0.4	<b>Intake m 1.3</b> <b>Exhaust m 0.8</b>
Bend 90° Ø 80 	Intake 5 Exhaust 6.5	m 0.3 m 0.4	m 0.8 m 1.1	<b>Intake m 2.2</b> <b>Exhaust m 2.1</b>
Bend 45° Ø 80 	Intake 3 Exhaust 4	m 0.2 m 0.2	m 0.5 m 0.6	<b>Intake m 1.3</b> <b>Exhaust m 1.3</b>
Divided parallel Ø 80 from Ø 60/100 to Ø 80/80 	Intake and Exhaust 8.8	m 0.5	m 1.5	<b>Intake m 3.8</b> <b>Exhaust m 2.9</b>

### 1.10 COVER KIT INSTALLATION.

- Configuration type B, open chamber and fan assisted.

Using the special cover kit one can achieve direct air intake (Fig. 1-8) and flue gas exhaust in a single chimney or directly outside. In this configuration the boiler is classified as type B<sub>22</sub>.

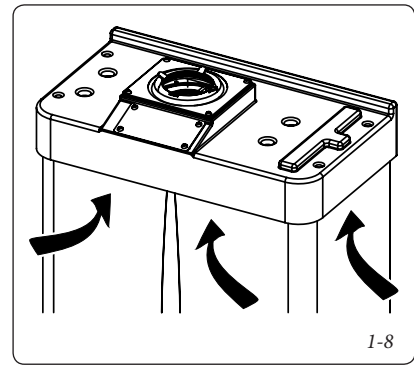
With this configuration:

- air intake takes place directly from the room in which the appliance is installed;
- the flue gas exhaust must be connected to its own individual flue or channelled directly into the external atmosphere.

The technical regulations in force must be respected.

- **Cover kit assembly (Fig. 1-9).** Remove the two plugs and the gaskets present from the two lateral holes with respect to the central one. Install the Ø 80 outlet flange on the central hole of the boiler, taking care to insert the gasket supplied with the kit and tighten by means of the screws provided. Install the upper cover, fixing it using the 4 screws present in the kit, positioning the relevant gaskets. Engage the 90° Ø 80 bend with the male end (smooth) in the female end (with lip seal) of the Ø 80 flange unit until it stops. Introduce the gasket, making it run along the bend. Fix it using the metal sheet plate and tighten by means of the clips present in the kit, making sure to block the 4 gasket flaps. Fit the male end (smooth) of the exhaust terminal into the female end of the bend 90° Ø 80, making sure that the relevant wall sealing plate is already fitted; this will ensure hold and joining of the elements making up the kit.

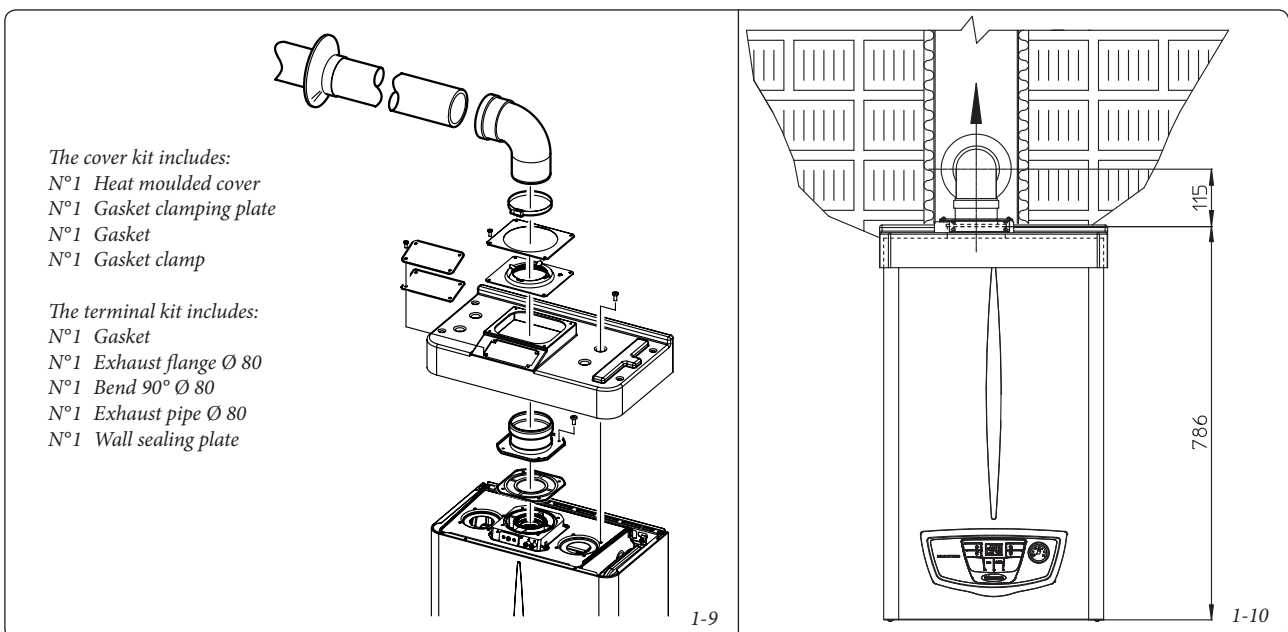
**Max. length of exhaust duct.** The flue pipe (vertical or horizontal) can be *extended to a max. length of 12 linear metres, using insulated pipes (Fig. 1-25)*. To prevent problems of flue gas condensate in the exhaust pipe Ø 80, due to flue gas cooling through the wall, the length of the pipe (not insulated) must be *limited to just 5 m (Fig. 1-22)*.



INSTALLER

USER

MAINTENANCE TECHNICIAN



**1.11 CONCENTRIC HORIZONTAL KIT INSTALLATION.**

**Type C configuration, sealed chamber and fan assisted.**

The position of the terminal (in terms of distances from openings, overlooking buildings, floor, etc.) must be in compliance with the regulations in force.

This terminal is connected directly to the outside of the building for air intake and flue gas exhaust. The horizontal kit can be installed with the rear, right side, left side or front outlet. For installation with frontal outlet, one must use the fixing plate and a concentric bend coupling in order to ensure sufficient space to carry out the tests required by law upon commissioning.

- External grid. Both the Ø 60/100 and Ø 80/125 intake/exhaust terminal, if properly installed, is pleasant to look at on the outside of the building. Make sure that the external silicone wall sealing plate is properly inserted in the wall.

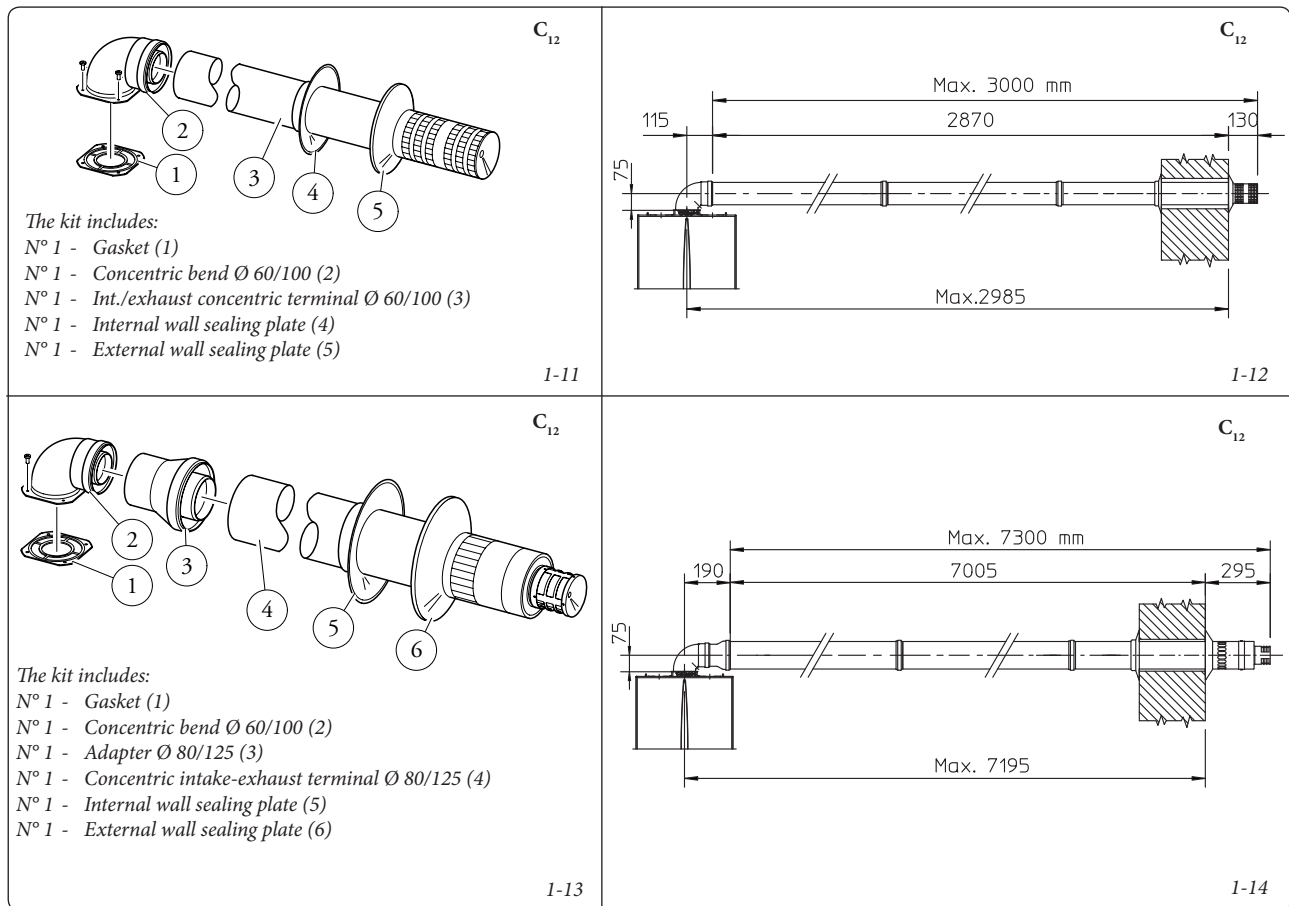
**Horizontal intake - exhaust kit Ø 60/100.** Kit assembly (Fig. 1-11): install the bend with flange (2) onto the central hole of the boiler inserting the gasket (1) and tighten using the screws included in the kit. Couple the concentric terminal pipe Ø 60/100 (3) with the male end (smooth) into the female end (with lip seals) of the bend (2) up to the stop, making sure that the internal and external wall sealing plate have been fitted, this will ensure sealing and joining of the kit elements.

- Extensions for Ø 60/100 horizontal kit (Fig. 1-12). The kit with this configuration can be extended up to a *max. horizontal length of 3 m* including the terminal with grid and excluding the concentric bend leaving the boiler. This configuration corresponds to a resistance factor of 100. In this case the special extensions must be requested.

**Note:** when the boiler is installed in areas where very cold temperatures can be reached, a special anti-freeze kit is available that can be installed as an alternative to the standard kit.

**Horizontal intake - exhaust kits Ø 80/125.** Kit assembly (Fig. 1-13): install the bend with flange (2) onto the central hole of the boiler inserting the gasket (1) and tighten using the screws included in the kit. Fit the male end (smooth) of the adapter (3) up to the end stop on the female side of the bend (2) (with lip seal). Fit the Ø 80/125 (4) concentric terminal pipe with the male end (smooth) to the female end of the adapter (3) (with lip gasket) up to the end stop; making sure that the internal and external wall sealing plates have been fitted; this will ensure sealing and joining of the elements making up the kit.

- Extensions for Ø 80/125 horizontal kit (Fig. 1-14). The kit with this configuration can be extended up to a *maximum length of 7.3 m*, including the terminal with grid and excluding the concentric bend leaving the boiler and the adapter Ø 60/100 in Ø 80/125. This configuration corresponds to a resistance factor of 100. In this case the special extensions must be requested.



**1.12 CONCENTRIC VERTICAL KIT INSTALLATION.**

**Type C configuration, sealed chamber and fan assisted.**

Concentric vertical intake and exhaust kit. This vertical terminal is connected directly to the outside of the building for air intake and flue gas exhaust.

**NOTE:** the vertical kit with aluminium tile enables installation on terraces and roofs with a maximum slope of 45% (approx. 25°) and the height between the terminal cap and half-shell (374 mm) must always be observed.

**Vertical kit with aluminium tile Ø 60/100.**  
To use this kit one must use the fixing plate kit 60/100 (sold separately).

Kit assembly (Fig. 1-15): install the concentric flange (2) on the central hole of the boiler inserting the gasket (1) and tighten using the screws in the kit. Fit the male end (smooth) of the adapter (3) into the female end of the concentric flange (2). Imitation aluminium tile installation. Replace the tile with the aluminium sheet (5), shaping it to ensure that rainwater runs off. Position the

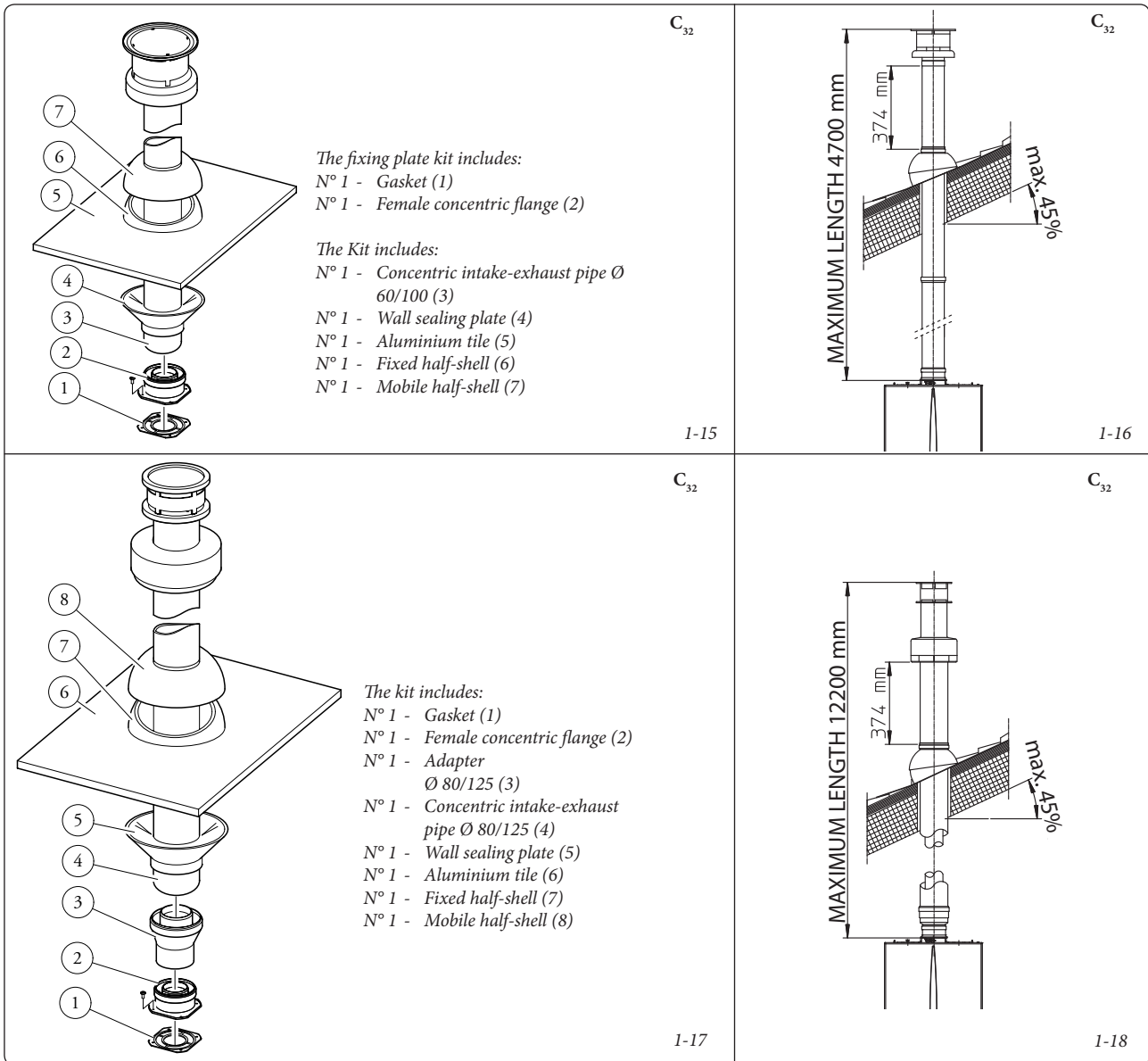
fixed half-shell (7) and insert the intake-exhaust pipe (6). Fit the Ø 80/125 concentric terminal pipe with the male end (6) (smooth) to the female end of the adapter (3) (with lip gasket) up to the end stop; making sure that the wall sealing plate (4) has been fitted, this will ensure sealing and joining of the elements making up the kit.

- Extensions for vertical kit Ø 60/100 (Fig. 1-16). The kit with this configuration can be extended to a *max. straight vertical length of 4.7 m*, including the terminal. This configuration corresponds to a resistance factor of 100. In this case specific extensions must be requested.

**Vertical kit with aluminium tile Ø 80/125.** Kit assembly (Fig. 1-17): to install the kit Ø 80/125 one must use the flanged adapter kit in order to install the flue system Ø 80/125. Install the flanged adaptor (2) on the central hole of the boiler, positioning gasket (1) with the circular projections downwards in contact with the boiler flange, and tighten using the screws contained in the kit. Installation of the fake aluminium tile: replace the tiles with the aluminium sheet (4), shaping it to ensure that rainwater runs off. Position the fixed half-shell (5) on the aluminium

tile and insert the intake-exhaust pipe (7). Fit the Ø 80/125 concentric terminal pipe with the male side (smooth) to the female side of the adapter (1) (with lip gaskets) up to the end stop; making sure that the wall sealing plate (3) has been fitted, this will ensure sealing and joining of the elements making up the kit.

- Extensions for vertical kit Ø 80/125 (Fig. 1-18). The kit with this configuration can be extended up to a *max. length of 12.2 m* including the terminal. If additional components are assembled, the length equivalent to the maximum allowed must be subtracted. In this case specific extensions must be requested.





**1.13 SEPARATOR KIT INSTALLATION.**  
**Type C configuration, sealed chamber and fan assisted.**

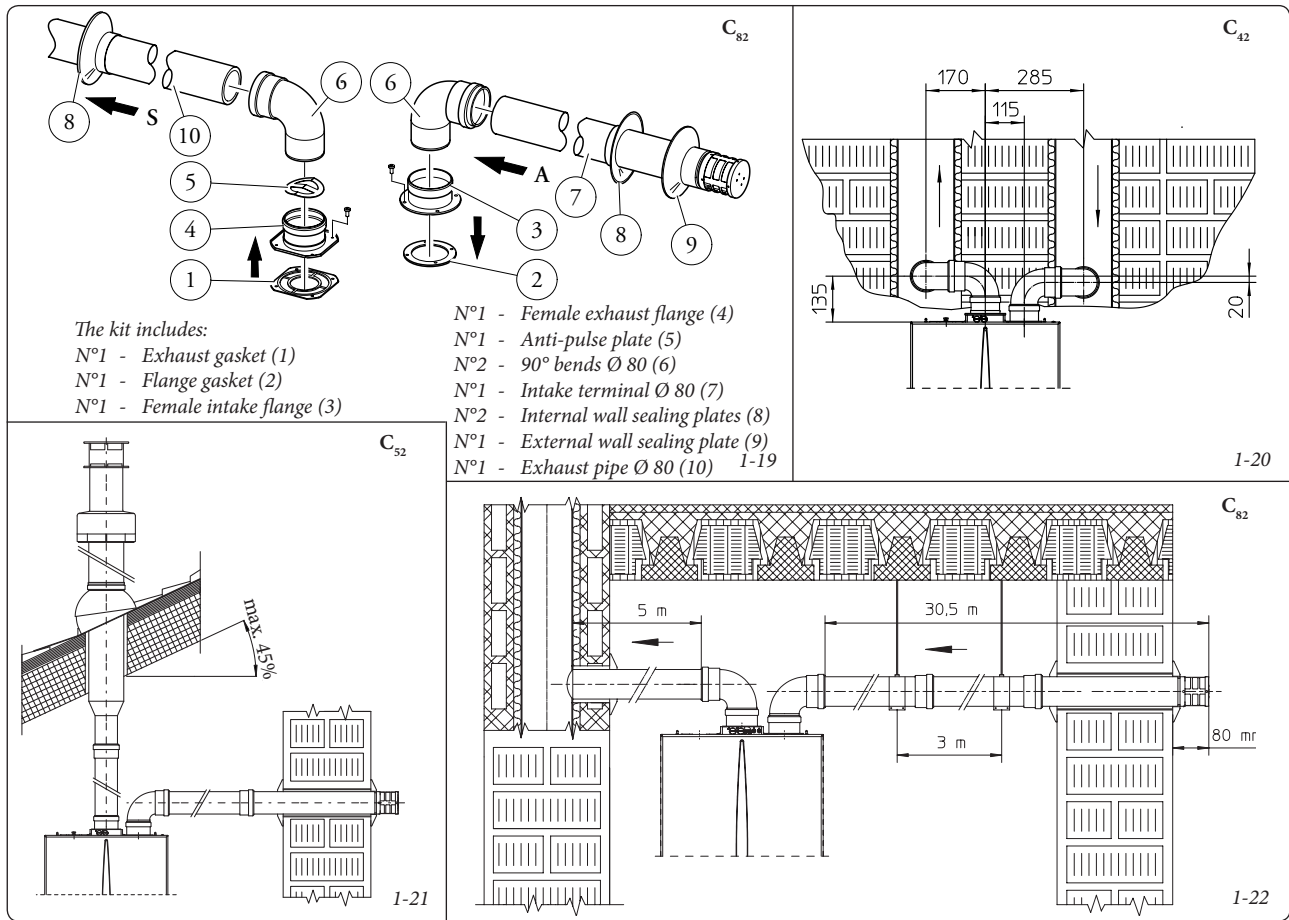
This kit allows air to come in from outside the building and the exhaust to exit from the chimney, flue or intubated duct through divided flue exhaust and air intake pipes. Combustion products are expelled from pipe (S). Air is taken in through pipe (A) for combustion. Both ducts can be routed in any direction.

**Separator kit Ø 80/80.** Kit assembly (Fig. 1-19): install the flange (4) on the central hole of the boiler inserting the gasket (1) and tighten using the hex head and flat tip screws contained in the kit, insert the anti-pulse plate up to the stop (5). Remove the flat flange present in the lateral hole with respect to the central one (according to ne-

eds) and replace it with the flange (3), positioning the gasket (2) already present in the boiler and tighten using the supplied self-threading screws. Fit the male end (smooth) to the bends (6) in the female end of the flanges (3 and 4). Fit the intake terminal (7) with the male section (smooth) in the female section of the bend (6) up to the stop, ensuring that the internal and external wall sealing plates are fitted. Fit the exhaust pipe (10) with the male end (smooth) in the female end of the bend (6) up to the stop, making sure that the internal wall sealing plate has been fitted, this will ensure sealing and joining of the kit elements.

- Installation clearances (Fig. 1-20). The minimum installation clearance measurements of the Ø 80/80 separator terminal kit have been stated in some limit conditions.

- The figure (Fig. 1-21) shows the configuration with vertical exhaust and horizontal intake.
- Extensions for separator kit Ø 80/80. The maximum vertical straight length (without bends) usable for Ø 80 intake and exhaust pipes is 41 metres of which 40 intake and 1 exhaust. This total length corresponds to a resistance factor of 100. The total usable length obtained by summing the Ø 80 intake and exhaust pipe lengths can reach, as a maximum, the values provided in the following table. If *mixed accessories or components are used*, the maximum extension can be calculated by using a resistance factor for each component or its *equivalent length*. The sum of these resistance factors must not exceed 100.



Maximum usable lengths (including intake terminal with grill and two 90° bends)			
NON-INSULATED PIPE		INSULATED PIPE	
Drain (metres)	Intake (metres)	Drain (metres)	Intake (metres)
1	36.0*	6	29.5*
2	34.5*	7	28.0*
3	33.0*	8	26.5*
4	32.0*	9	25.5*
5	30.5*	10	24.0*
* The air intake pipe can be increased to 2.5 metres if the exhaust bend is eliminated, 2 metres if the air intake bend is eliminated, 4.5 metres eliminating both bends.		11	22.5*
		12	21.5*

**Attention:** the boiler is designed to evacuate the combustion products up to a maximum extension of 27 linear metres from the exhaust, with 1 m plus 90° bend at the intake. If the ins-

tallation requests a development of the flue to the discharge that exceeds the recommended 12 m, due consideration must be given to the formation of condensate that could take place inside the

pipe and Immergas insulated "Blue Series" flue kits must be used.



- Temperature loss in flue pipes (Fig. 1-22). To prevent problems of flue gas condensate in the exhaust pipe  $\varnothing 80$ , due to fume cooling through the wall, *the length of the exhaust pipe must be limited to just 5 m*. If longer distances must be covered, use  $\varnothing 80$  pipes with insulation (see insulated separator kit  $\varnothing 80/80$  chapter).

**Insulated separator kit  $\varnothing 80/80$ .** Kit assembly (Fig. 1-23): install the flange (4) on the central hole of the boiler inserting the gasket (1) and tighten using the hex head and flat tip screws contained in the kit, insert the anti-pulse plate up to the stop (5). Remove the flat flange contained in the side hole with respect to the central one (as needed) and replace it with the flange (3), positioning the gasket (2) already present in the boiler and tighten using the supplied self-threading screws with tip. Insert and slide cap (7) onto bend (6) from the male side (smooth), and join bends (6) with the male side (smooth) in the female side of flange (3). Fit bend (12) with the male side (smooth) into the female side of flange (4). Fit the male end (smooth) of the intake terminal (8) up to the stop on the female end of the bend (6), making sure you have already inserted the wall sealing plates (9 and 10) that ensure correct installation between pipe and wall, then fix the closing cap (7) on the terminal (8). Join the exhaust pipe (11) with the male side (smooth) in the female side of the bend (12) to the end stop, ensuring that the wall sealing plate (9) is already inserted for correct installation between the pipe and flue.

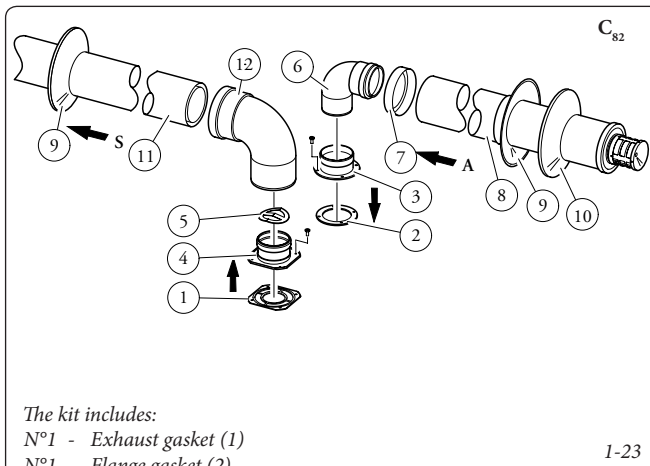
- Insulation of separator terminal kit. Whenever there are flue gas condensate problems in the exhaust pipes or on the external surface of the intake pipes, on request Immergas supplies insulated intake-exhaust pipes. Insulation may be necessary on the exhaust pipe, due to excessive loss of temperature of the flue gas on their route. Insulation may be necessary on the intake pipe as the air entering (if very cold) may cause the outside of the pipe to fall below the dew point of the environmental air. The figures (Fig. 1-24 ÷ 1-25) illustrate different applications of insulated pipes.

Insulated pipes are formed of a  $\varnothing 80$  internal concentric pipe and a  $\varnothing 125$  external pipe with static air space. It is not technically possible to start with both  $\varnothing 80$  elbows insulated, as clearances will not allow it. However starting with an insulated elbow is possible by choosing either the intake or exhaust pipe. When starting with the insulated intake bend it must be engaged on its flange until it is taken up to end stop on the flue gas exhaust flange, a situation that takes the two intake flue gas exhaust outlets to the same height.

- Temperature loss in insulated flue ducting. To prevent problems of flue gas condensate in the insulated exhaust pipe  $\varnothing 80$ , due to flue gas cooling through the wall, *the length of the pipe must be limited to 12 metres*. The figure (Fig. 1-25) illustrates a typical insulation application in which the intake pipe is short and the exhaust

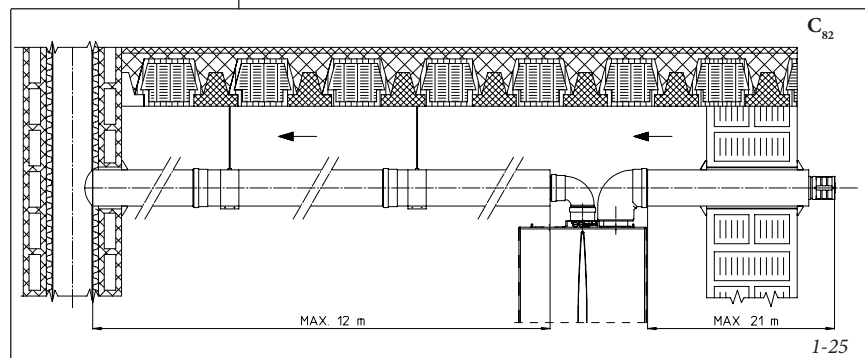
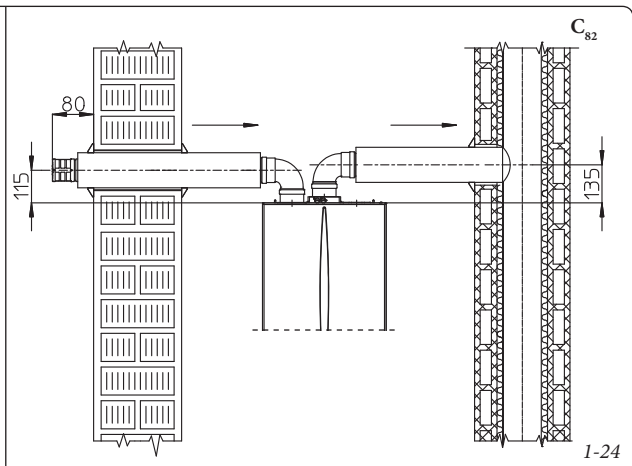
pipe is very long (over 5 m). The entire intake pipe is insulated to prevent moist air in the place where the boiler is installed, in contact with the pipe cooled by air entering from the outside. The entire exhaust pipe, except the elbow leaving the splitter is insulated to reduce heat loss from the pipe, thus preventing the formation of fume condensate.

**Note.:** when installing the insulated pipes, a section clamp with gusset must be installed every 2 metres.



The kit includes:

- N°1 - Exhaust gasket (1)
- N°1 - Flange gasket (2)
- N°1 - Female intake flange (3)
- N°1 - Female exhaust flange (4)
- N°1 - Anti-pulse plate (5)
- N°1 - Bend 90°  $\varnothing 80$  (6)
- N°1 - Pipe closure cap (7)
- N°1 - Intake terminal  $\varnothing 80$  insulated (8)
- N°2 - Internal wall sealing plates (9)
- N°1 - External wall sealing plate (10)
- N°1 - Discharge pipe  $\varnothing 80$  insulated (11)
- N°1 - Concentric bend 90°  $\varnothing 80/125$  (12)



#### 1.14 DUCTING OF FLUES OR TECHNICAL SLOTS.

Ducting is an operation through which by inserting one or more relevant pipes, one achieves a system for the evacuation of the combustion products of a gas appliance, consisting in the combination of an existing or new ducting pipe with a chimney, flue or technical slot (also in new buildings). Ducting requires ducts declared to be suitable for the purpose by the manufacturer, following the installation and user instructions, provided by the manufacturer and the requirements of the regulations in force.

#### 1.15 CONFIGURATION TYPE B<sub>22</sub>, OPEN CHAMBER AND FORCED DRAUGHT FOR INDOORS.

The appliance can be installed inside buildings in B<sub>22</sub> mode; in this eventuality, all technical rules and national and local regulations in force, must be complied with.

- Type B open chamber boilers must not be installed in places where commercial, artisan or industrial activities take place, which use products that may develop volatile vapours or substances (e.g. acid vapours, glues, paints, solvents, combustibles, etc.), as well as dusts (e.g. dust deriving from the working of wood, coal fines, cement, etc.), which may be damaging for the components of the appliance and jeopardise functioning.

- in B<sub>22</sub> configuration, unless otherwise provided for by local regulations in force: the boilers must not be installed in bedrooms, bathrooms or bedsits. They must neither be installed in rooms containing solid fuel heat generators nor in rooms communicating with said rooms.

- The installation of appliances in B<sub>22</sub> configuration is only recommended in places that are not lived in and which are permanently ventilated.

To install them one must use the cover kit whose installation is referred to in Paragraph 1.10.

#### 1.16 FLUE EXHAUST TO FLUE/CHIMNEY.

Flue exhaust does not necessarily have to be connected to a branched type traditional flue. The flue exhaust, for boiler clots installed in C configuration, can be connected to a special LAS type multiple flue. For B<sub>22</sub> configurations, exhaust is only allowed into individual chimney or directly into the external atmosphere via a relevant terminal, unless otherwise provided by local regulations. Multiple and combined flues must be specially designed according to the calculation method and requirements of the technical standards in force, by a professionally qualified company. Chimney or flue sections for connection of the flue exhaust pipe must comply with requisites of technical standards in force.

#### 1.17 FLUES, CHIMNEYS AND CHIMNEY CAPS.

The flues, chimneys and chimney caps for the evacuation of combustion products must be in compliance with applicable standards. Chimneys and roof-installed exhaust terminals must comply with the outlet height and with the distance from technical volumes set forth by the technical standards in force.

**Positioning the wall flue exhaust terminals.** The wall flue exhaust terminals must:

- be installed on external perimeter walls of the building;
- be positioned according to the minimum distances specified in current technical standards.

**Combustion products exhaust of natural draught or fan assisted appliances in open-top closed environments.** In spaces closed on all sides with open tops (ventilation pits, courtyards etc.), direct combustion product exhaust is allowed for natural draught or fan assisted gas appliances with a heat input range from 4 to 35 kW, provided the conditions as per the current technical standards are respected.

#### 1.18 WATER TREATMENT SYSTEM FILLING.

As already mentioned in the previous paragraphs, a treatment of the thermal and domestic system water is required, in compliance with the local standards in force.

The parameters that influence the duration and proper operation of the heat exchanger are the water's PH, hardness, conductivity, and oxygen, together with the system's processing residues (any welding residues), any oil present and corrosion products that can, in turn, cause damage to the heat exchanger.

To prevent this:

- Before installation on new systems as well as old ones, clean the system with clean water to eliminate solid residues contained therein.
- Clean the system with a chemical treatment:
  - clean the old and the new system using a suitable cleaner (e.g. Idraclean Caldt5, Cillit HS 23 RS, Fernox Superfloc, Betz Deaborn Sentinel X300/X400, Salamander System Cleaner) combined with thorough washing.
- Check the maximum hardness and amount of filling water; if the contents and hardness of the water are less than 15°F, no specific treatment is required; otherwise, to limit the content of calcium carbonate, you must provide for water-filling treatment.
- For filling, you are not allowed to use water softened with the use of ionic-exchange resins or distilled water.

- Should you be required to provide for water treatment, this should be carried out by completely desalinating the filling water. As opposed to the complete softening process, desalinating the water completely not only removes hardening agents (Ca, Mg), but also eliminates all other minerals to reduce water-filling conductivity up to 10 microsiemens/cm. Given its low conductivity, desalinated water does not only prevent the formation of lime scale, but also serves as protection against corrosion.

- Insert a suitable inhibitor / passivator (for example Cillit HS 23 Combi, Fernox MB-1, Betz Deaborn Sentinel X100, Copal Salamander System Inhibitor); if required, also insert appropriate antifreeze (such as for example Cillit CC45).

- Check the electrical conductivity of the water, which should be 600 µs/cm or less.

- To prevent corrosion, the water system's PH should be between 7 and 8.5.

- Check the maximum content of chlorides, which should be less than 250 mg/l.

**Note:** for quantities and methods of use of water-treatment products, refer to the instructions provided by their manufacturer.

#### 1.19 SYSTEM FILLING.

Once the boiler is connected, proceed with system filling via the filling cock (Fig. 2-2).

Filling is performed at low speed to ensure release of air bubbles in the water via the boiler and central heating system vents.

The boiler has a built-in automatic venting valve on the circulator. *Check if the cap is loose.* Open the radiator vent valves.

Close radiator vent valves when only water escapes from them.

Close the filling valve when the boiler pressure gauge indicates approx. 1.2 bar.

**Note:** during these operations turn on the circulation pump at intervals, by means of the stand-by button located on the control panel. *Vent the circulation pump by loosening the front cap and keeping the motor running.*

Screw the cap back on after the operation.

#### 1.20 GAS SYSTEM START-UP.

To start up the system, make reference to the Standard:

In particular, for new gas systems:

- open windows and doors;
- avoid presence of sparks or naked flames;
- bleed all air from pipelines;
- check that the internal system is properly sealed according to the regulations in force.

**1.21 BOILER START UP (IGNITION).**

To commission the boiler (the operations listed below must only be performed by a qualified firm and without any unauthorised persons):

- check that the internal system is properly sealed according to the regulations in force;
- ensure that the type of gas used corresponds to boiler settings;
- check that there are external factors that may cause the formation of fuel pockets;
- switch the boiler on and ensure correct ignition;
- make sure that the gas flow rate and relevant pressure values comply with those given in the manual (Paragraph 3.16);
- ensure that the safety device is engaged in the event of gas supply failure and check activation time;
- check activation of the main switch located upstream from the boiler;
- check that the intake and/or exhaust terminals (if fitted) are not blocked.

The boiler must not be started up even if only one of the checks should be negative.

**1.22 CIRCULATION PUMP.**

The Eolo Mythos Dom 10-18-24 1E series boilers are supplied with a built-in circulation pump with three-position electric speed control. The boiler does not operate correctly with the circulation pump on first speed. To ensure optimal boiler operation, in the case of new systems (single pipe and module) it is recommended to use the pump at maximum speed. The circulation pump is already fitted with a condenser.

**Pump release.** If, after a prolonged period of inactivity, the circulation pump is blocked, unscrew the front cap and turn the motor shaft using a screwdriver. Take great care during this operation to avoid damage to the motor.

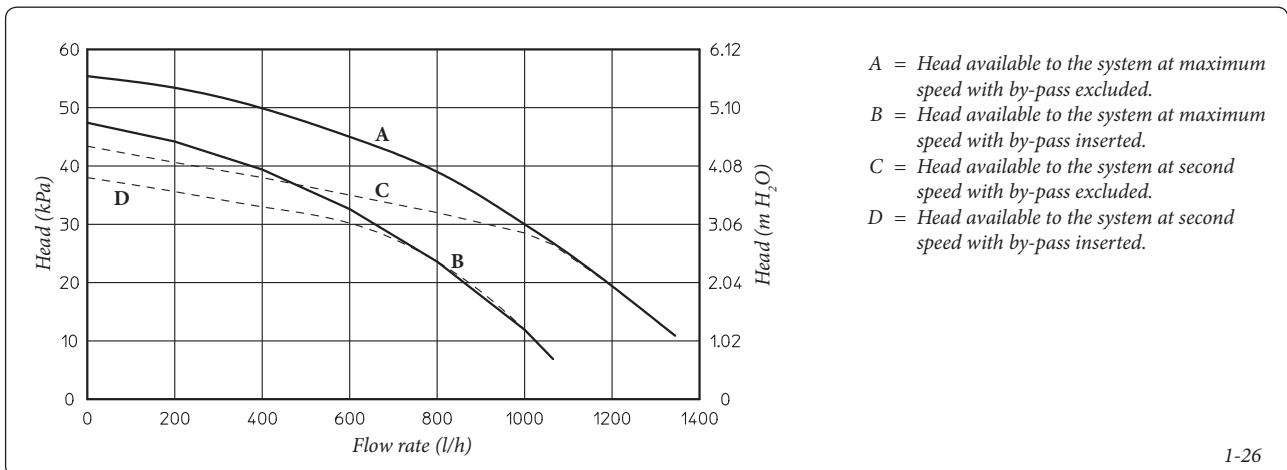
**By-pass adjustment (det.23 Fig. 1-27).** If necessary, the by-pass can be adjusted according to system requirements from a minimum (by-pass excluded) to a maximum (by-pass inserted) represented by the graph (Fig. 1-26). Make the adjustment using a flat head screwdriver, turn clockwise and insert the by-pass; by turning it anti-clockwise it is excluded.

**1.23 KITS AVAILABLE ON REQUEST.**

- Connection unit kit (on request). The kit includes pipes, fittings and cocks (including gas cock), to carry out all connections to the boiler system.
- System cut-off valve kits with or without inspectionable filter (on request) The boiler is designed for installation of system interception cocks to be placed on flow and return pipes of the connection assembly. This kit is very useful for maintenance because it allows to empty just the boiler without having to empty the entire system. Moreover, the version with filter preserves the functioning characteristics of the boiler thanks to its inspectionable filter.
- Polyphosphate dispenser kit (on request). The polyphosphate dispenser reduces the formation of lime-scale and preserves the original heat exchange and domestic hot water production conditions. The boiler is prepared for application of the polyphosphate dispenser kit.

The above-mentioned kits are supplied complete with instructions for assembly and use.

**Head available to the system.**



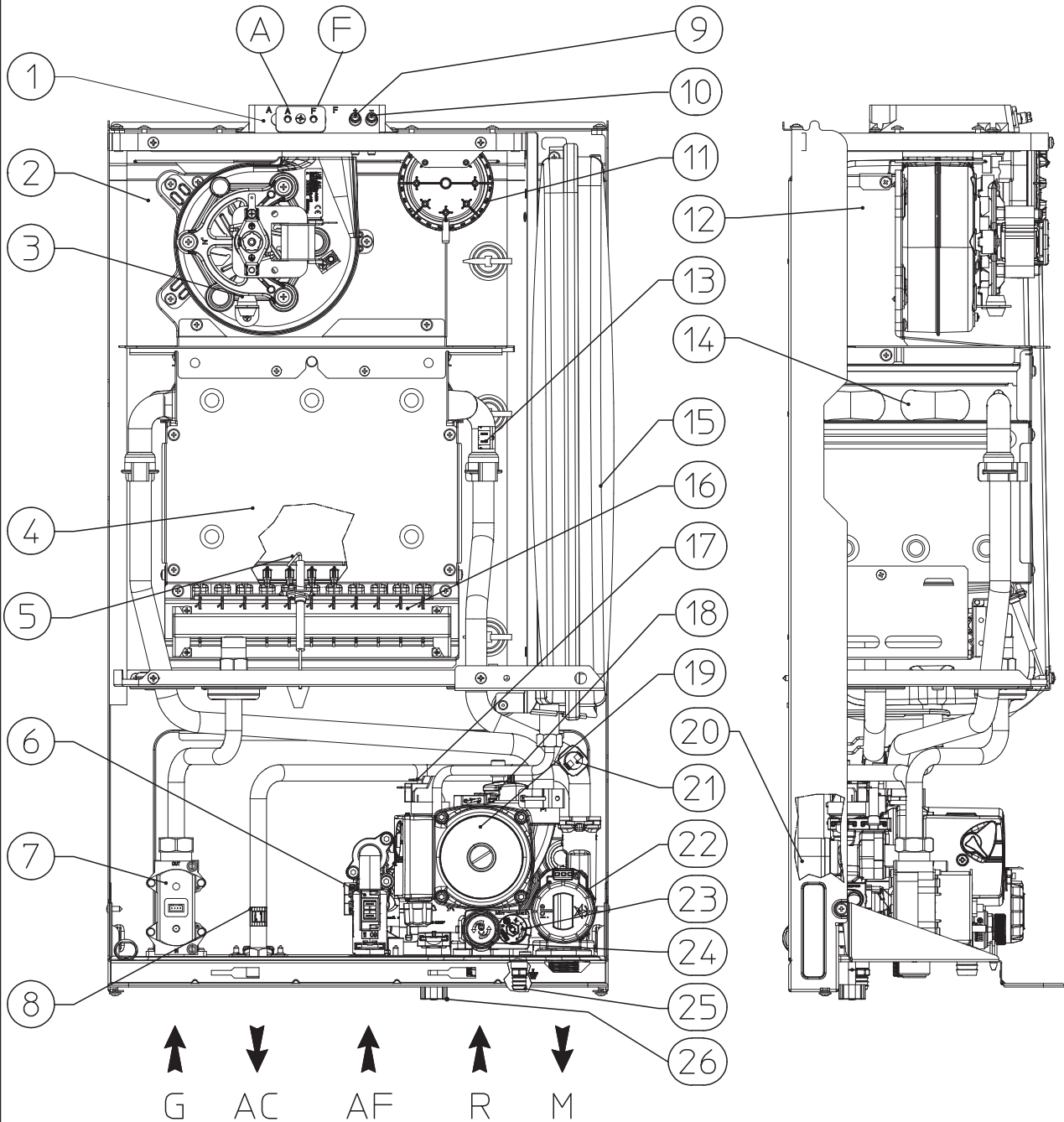
- A = Head available to the system at maximum speed with by-pass excluded.
- B = Head available to the system at maximum speed with by-pass inserted.
- C = Head available to the system at second speed with by-pass excluded.
- D = Head available to the system at second speed with by-pass inserted.

1.24 BOILER COMPONENTS.

INSTALLER

USER

MAINTENANCE TECHNICIAN



Key:

- 1 - Sample points (air A) - (flue gases F)
- 2 - Sealed chamber
- 3 - Fan
- 4 - Combustion chamber
- 5 - Ignition and detection electrodes
- 6 - D.H.W. flow switch
- 7 - Gas valve
- 8 - D.H.W. probe
- 9 - Positive signal pressure point
- 10 - Negative signal pressure point
- 11 - Flue pressure switch
- 12 - Flue hood
- 13 - Flow probe

- 14 - Primary heat exchanger
- 15 - System expansion vessel
- 16 - Burner
- 17 - System pressure switch
- 18 - Air vent valve
- 19 - Boiler pump
- 20 - D.H.W. heat exchanger
- 21 - Safety thermostat
- 22 - 3-way valve (motorised)
- 23 - Adjustable by-pass
- 24 - 3 bar safety valve
- 25 - System draining fitting
- 26 - System filling valve

Note: connection group (optional)

## 2 INSTRUCTIONS FOR USE AND MAINTENANCE.

### 2.1 CLEANING AND MAINTENANCE.

**Attention:** to preserve the boiler's integrity and keep the safety features, performance and reliability which distinguish it unchanged over time, maintenance operations must be carried out on a yearly basis in compliance with that stated in the "annual check and maintenance of the appliance" section, in compliance with national, regional, or local standards in force.

### 2.2 GENERAL WARNINGS.

Never expose the wall-mounted boiler to direct vapours from cooking hobs.

Use of the boiler by unskilled persons or children is strictly prohibited.

Do not touch the flue gas exhaust terminal (if present) due to the high temperatures it can reach; For safety purposes, check that the air intake/ flue exhaust terminals (if fitted) are not blocked. If temporary shutdown of the boiler is required, proceed as follows:

- drain the heating system if anti-freeze is not used;
- shut-off all electrical, water and gas supplies.

In the case of work or maintenance to structures near ducting or devices for flue extraction and the relative accessories, switch off the appliance and on completion of the operations make sure that an authorised company verifies the efficiency of the ducting or the devices.

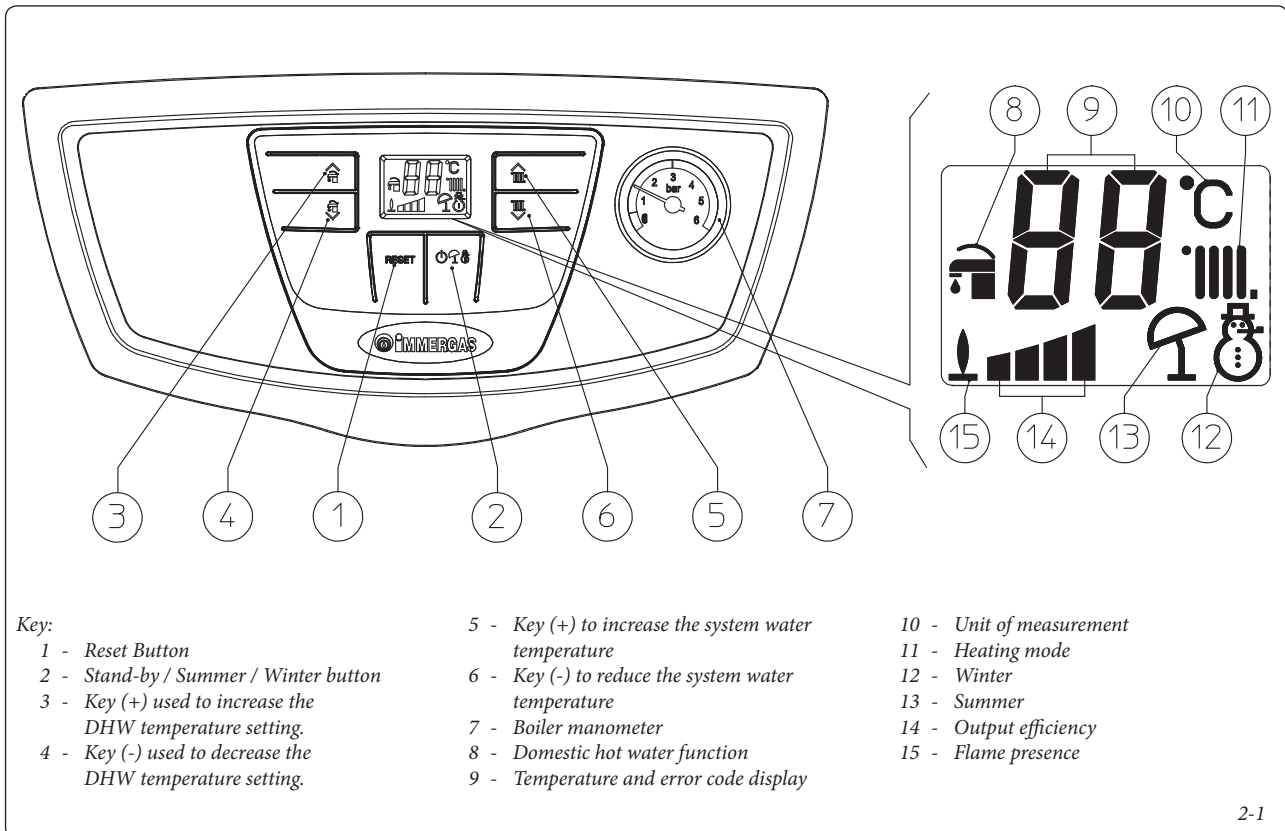
Never clean the appliance or connected parts with easily flammable substances.

Never leave containers or flammable substances in the same environment as the appliance.

• **Attention:** using any components that use electrical power requires some fundamental rules to be observed:

- do not touch the appliance with wet or moist parts of the body; do not touch it when bare-foot.
- never pull electrical cables or leave the appliance exposed to atmospheric agents (rain, sunlight, etc.);
- the appliance power cable must not be replaced by the user;
- if the cable is damaged, switch off the appliance and solely contact an authorised company to replace it;
- if the appliance is not to be used for a certain period, disconnect the main power switch upstream of the appliance.

### 2.3 CONTROL PANEL.





**Ignition of the boiler.** Before ignition make sure the heating system is filled with water and that the manometer (7) indicates a pressure of  $1 \div 1.2$  bar.

- Open the gas cock upstream from the boiler.
- Press key (2) and set the boiler on Summer (☀) or Winter (❄).

**Note:** the button (2) must be pressed and held for the time required to switch from the Stand-by (↔), Summer (☀) or Winter (❄) function.

**Attention:** after each switch the button must in any case be released to switch to the next function.

When in summer position (☀) the domestic hot water temperature is adjusted with the buttons (3-4).

When the winter position is selected (❄) the system water temperature is adjusted with the buttons (5-6), whilst the domestic hot water temperature is adjusted using the buttons (3-4), by pressing (+) to increase and (-) to reduce the temperature.

From this moment the boiler functions automatically. With no demand for heat (central heating or domestic hot water production) the boiler goes to “standby” function, equivalent to the boiler being powered without presence of flame. Each time the boiler ignites, the relative flame present symbol is displayed (15).

#### 2.4 FAULT AND ANOMALY SIGNALS.

In case of an anomaly, the letter "E" appears on the display alternately with the relevant error code occurred. The error codes are listed in the following table.

Error Code	Anomaly signalled	Cause	Boiler status / Solution
01	No ignition block	In the event of request of room central heating or domestic hot water production, the boiler does not switch on within the preset time. Upon appliance commissioning or after extended downtime, it may be necessary to eliminate the block.	Press the Reset button (1).
02	Safety thermostat block (over-temperature)	During normal operation, if a fault causes excessive overheating internally, the boiler goes into overheating block.	Press the Reset button (1).
03	Flue safety thermostat anomaly	Incorrect setting of parameter P14 (Paragraph 3.7).	Set parameter P14 according to the type of boiler in use. If necessary, press the Reset button (1).
05	Flow probe anomaly	The board detects an anomaly on the flow NTC probe.	The boiler does not start (1).
06	Domestic hot water probe anomaly	The board detects an anomaly on the domestic hot water NTC probe. In this case the antifreeze function is also inhibited	In this case the boiler continues to produce domestic hot water but not with optimal performance (1).
10	Insufficient system pressure	Water pressure inside the central heating circuit that is sufficient to guarantee the correct operation of the boiler is not detected.	Check on the boiler pressure gauge (1) that the system pressure is between $1 \div 1.2$ bar and restore the correct pressure if necessary.
11	Flue pressure switch anomaly	This occurs in case of a fault in the flue pressure switch or the fan.	If normal conditions are restored the boiler restarts without having to be reset (1).
20	Parasite flame block	- This occurs in the event of a leak on the detection circuit or anomaly in the flame control unit.	Press the Reset button (1).
24	Push button control panel anomaly	The board detects an anomaly on the pushbutton panel.	If normal conditions are restored the boiler restarts without having to be reset (1).

(1) If the shutdown or fault persists, contact an authorised company (e.g. Authorised Technical After-Sales Service).



Error Code	Anomaly signalled	Cause	Boiler status / Solution
27	<b>Insufficient circulation</b>	This occurs if there is overheating in the boiler due to insufficient water circulating in the primary circuit; the causes can be: - low system circulation; check that no shut-off devices are closed on the heating circuit and that the system is free of air (deaerated); - circulating pump blocked; free the circulating pump.	If normal conditions are restored the boiler restarts without having to be reset (1).
31	<b>Loss of remote control communication.</b>	This occurs if an incompatible remote control is connected, or if communication between the boiler and the remote control is lost.	Disconnect and reconnect the power to the boiler. If the Remote Control is still not detected on re-starting, the boiler will switch to local operating mode, i.e. using the controls on the control panel. In this case the "Central Heating" (1) function cannot be activated.
37	<b>Low power supply voltage</b>	This occurs when the power supply voltage is lower than the allowed limits for the correct boiler operation.	If normal conditions are restored the boiler restarts without having to be reset (1).
38	<b>Loss of flame signal</b>	This occurs when the boiler is ignited correctly and the burner flame switches off unexpectedly; a new attempt at ignition is performed and if normal conditions are restored, the boiler does not have to be reset. Note: <b>when attempting ignition, the minimum heat output of the boiler increased to a maximum of two consecutive ignitions; the minimum heat output conditions are reached once again, as per gas valve calibration, following the "P.C.B. PERIODIC AUTO-VERIFICATION" function or simply disconnecting the power supply to the boiler.</b>	(1).
43	<b>Block due to loss of flame signal</b>	This occurs if the "Flame signal loss (38)" error occurs many times in a row within a preset period.	Press the Reset button (1).
44	<b>Block for exceeding the maximum openings close to the gas valve</b>	This occurs if the gas valve remains open for longer than required for normal operation, without the boiler switching on.	Press the Reset button (1).
59	<b>Supply voltage frequency anomaly</b>	The board detects a main supply voltage frequency anomaly.	The boiler does not start (1).
80	<b>Block - gas valve driver issue</b>	- This occurs in the event of malfunctions of the P.C.B. that controls the valve.	Press the Reset button (1).
85	<b>Afterburner problem block</b>	Potential gas valve, electrode or P.C.B. problem.	Press the Reset button (1).
98	<b>Block - maximum no. of errors</b>	The maximum number of errors has been reached.	Press the Reset button (1).
(1) If the shutdown or fault persists, contact an authorised company (e.g. Authorised Technical After-Sales Service).			

## 2.5 INFORMATION MENU.

Pressing the buttons (3) and (4) simultaneously for 5 seconds, the "Information menu" is activated, which displays some boiler functioning parameters.

Press buttons (3) and (4) to scroll through the various parameters. To exit the menu, press buttons (3) and (4) simultaneously again for 5 seconds or wait for 5 minutes.

### List of parameters

Id Parameter	Description
d1	Displays the flame signal
d2	Displays the primary exchanger output instant heating flow temperature (flow probe)
d3	Displays the instant output temperature from the DHW exchanger
d4	Not used
d5	Displays the operating instantaneous power (value in %).
d6	Displays the temperature set for the central heating set (if remote control is present)
d7	Displays the temperature set for the DHW set (if remote control is present)
E1 - E8	Display the anomaly history, of which E1 is the most recent

## 2.6 RESETTING THE ANOMALY HISTORY.

Press the Reset button on the information menu for > 2 seconds and < 4.5 seconds. "E-" will appear on the display.

Only during this time, if you release the button, it resets the anomaly history.

## 2.7 BOILER SHUTDOWN.

Press the button (2 Fig. 2-1) (⏻) until the symbol appears on the display (→).

**Note:** in these conditions the boiler is still powered.

Disconnect the omnipolar switch outside the boiler and close the gas cock upstream of the appliance. Never leave the boiler switched on if left unused for prolonged periods.

## 2.8 RESTORE CENTRAL HEATING SYSTEM PRESSURE.

Periodically check the system water pressure. The boiler pressure gauge should read a value of between 1 and 1.2 bar.

*If the pressure is below 1 bar (with the circuit cool) restore normal pressure via the filling cock located in the lower part of the boiler (Fig. 2-2).*

**Note:** close the cock after the operation.

If pressure values reach around 3 bar the safety valve may be activated.

In this case, remove water from an air vent valve of a radiator until 1 bar is reached or ask for assistance from an authorised company.

In the event of frequent pressure drops, contact a qualified firm for assistance to remove any system leakage.

## 2.9 DRAINING THE SYSTEM.

To drain the boiler, use the special draining valve (Fig. 2-2).

Before draining, ensure that the filling cock is closed.

## 2.10 ANTIFREEZE PROTECTION.

The boiler comes standard with an antifreeze function that activates the pump and burner when the system water temperature in the boiler falls below 4°C (standard protection up to the min. temperature of -5°C) and stops once it exceeds 42°C. The antifreeze function is guaranteed if the boiler is fully operative and not in "block" status, and is electrically powered. To avoid keeping the system switched on in case of a prolonged absence, the system must be drained completely or antifreeze substances must be added to the heating system water. In both cases the boiler domestic hot water circuit must be drained. In systems that are drained frequently, filling must be carried out with suitably treated water to eliminate hardness that can cause lime-scale. All information relative to the anti-freeze protection is stated in Paragraph 1.3 In order to guarantee the integrity of the appliance and the domestic hot water heating system in areas where the temperature falls below zero, we recommend the central heating system is protected using anti-freeze liquid and installation of the *Immergas Anti-freeze Kit* in the boiler. In the case of prolonged inactivity (second case), we also recommend that:

- disconnect the electric power supply;
- empty the boiler domestic hot water circuit via the drain valves (Fig. 1-27) and the internal domestic hot water distribution network.

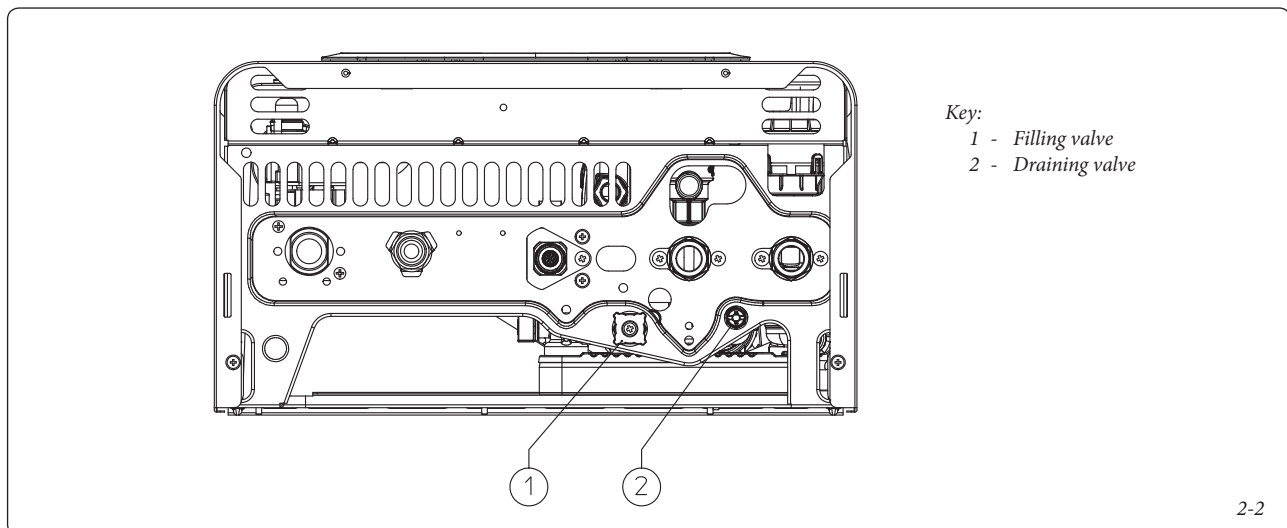
## 2.11 CASE CLEANING.

Use damp cloths and neutral detergent to clean the boiler casing. Never use abrasive or powder detergents.

## 2.12 DECOMMISSIONING.

In the event of permanent shutdown of the boiler, contact an authorised company for the suitable procedures and also ensure the electrical, water and fuel supply lines are shut off and disconnected.

Bottom view.



Key:  
 1 - Filling valve  
 2 - Draining valve

2-2

### 3 COMMISSIONING THE BOILER (INITIAL CHECK).

To commission the boiler:

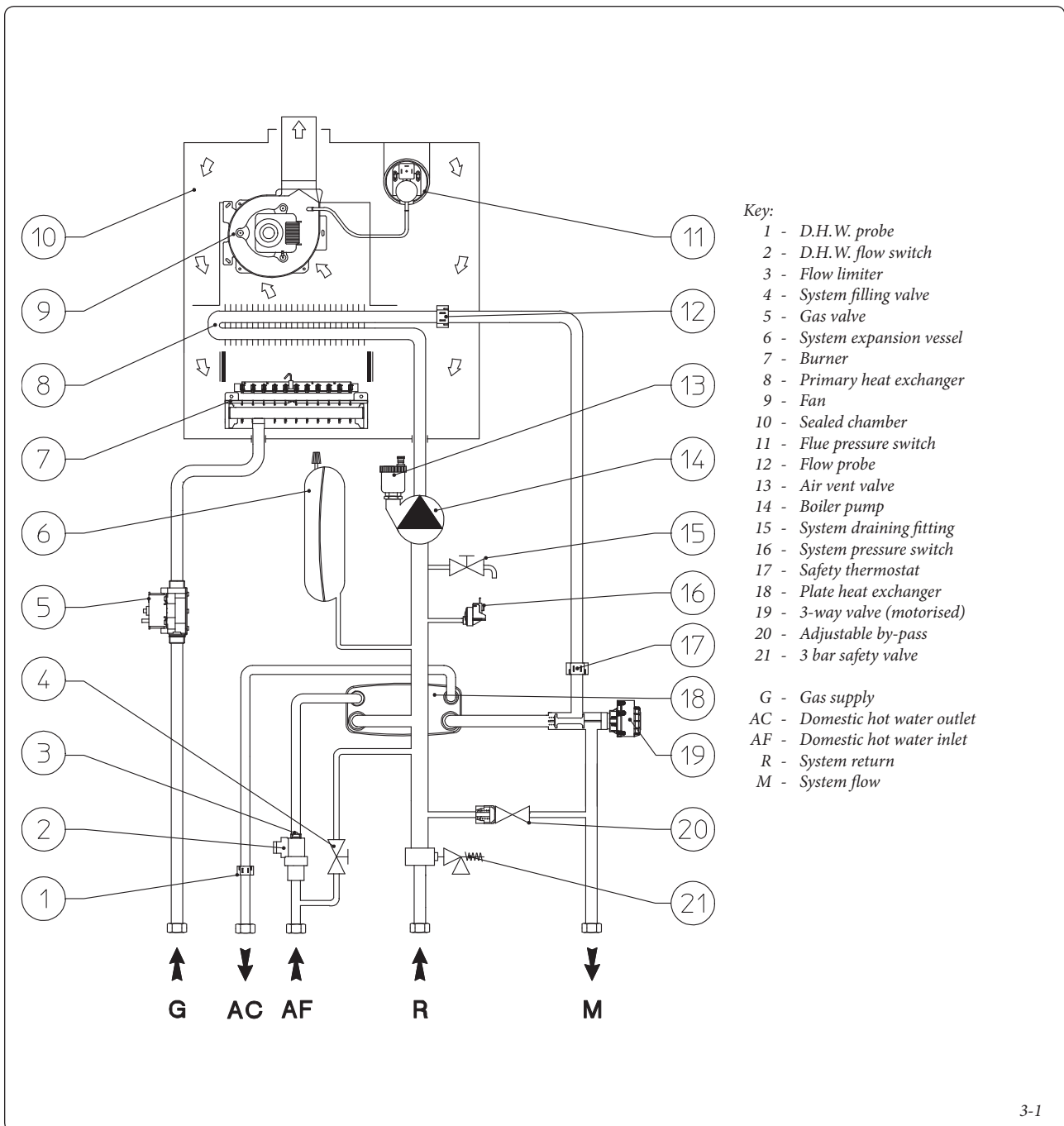
- ensure that the type of gas used corresponds to boiler settings;
- check connection to a 230V-50Hz power mains, correct L-N polarity and the earthing connection;
- make sure the central heating system is filled with water and that the boiler manometer indicates a pressure of 1±1.2 bar;
- make sure the air valve cap is open and that the system is well deaerated;

- switch the boiler on and ensure correct ignition;
- make sure the gas maximum, medium and minimum flow rate and pressure values correspond to those given in the handbook (Paragraph 3.16);
- check activation of the safety device in the event of no gas, as well as the relative activation time;
- check activation of the main switch located upstream from the boiler;
- check that the intake and/or exhaust terminals are not blocked;
- check activation of the “no air” safety pressure switch;
- ensure activation of all adjustment devices;

- seal the gas flow rate regulation devices (if settings are modified);
- ensure production of domestic hot water;
- ensure sealing efficiency of water circuits;
- check;
- ventilation and/or aeration of the installation room where provided.

Even if just one single safety check provides a negative result, do not commission the system.

#### 3.1 HYDRAULIC DIAGRAM.

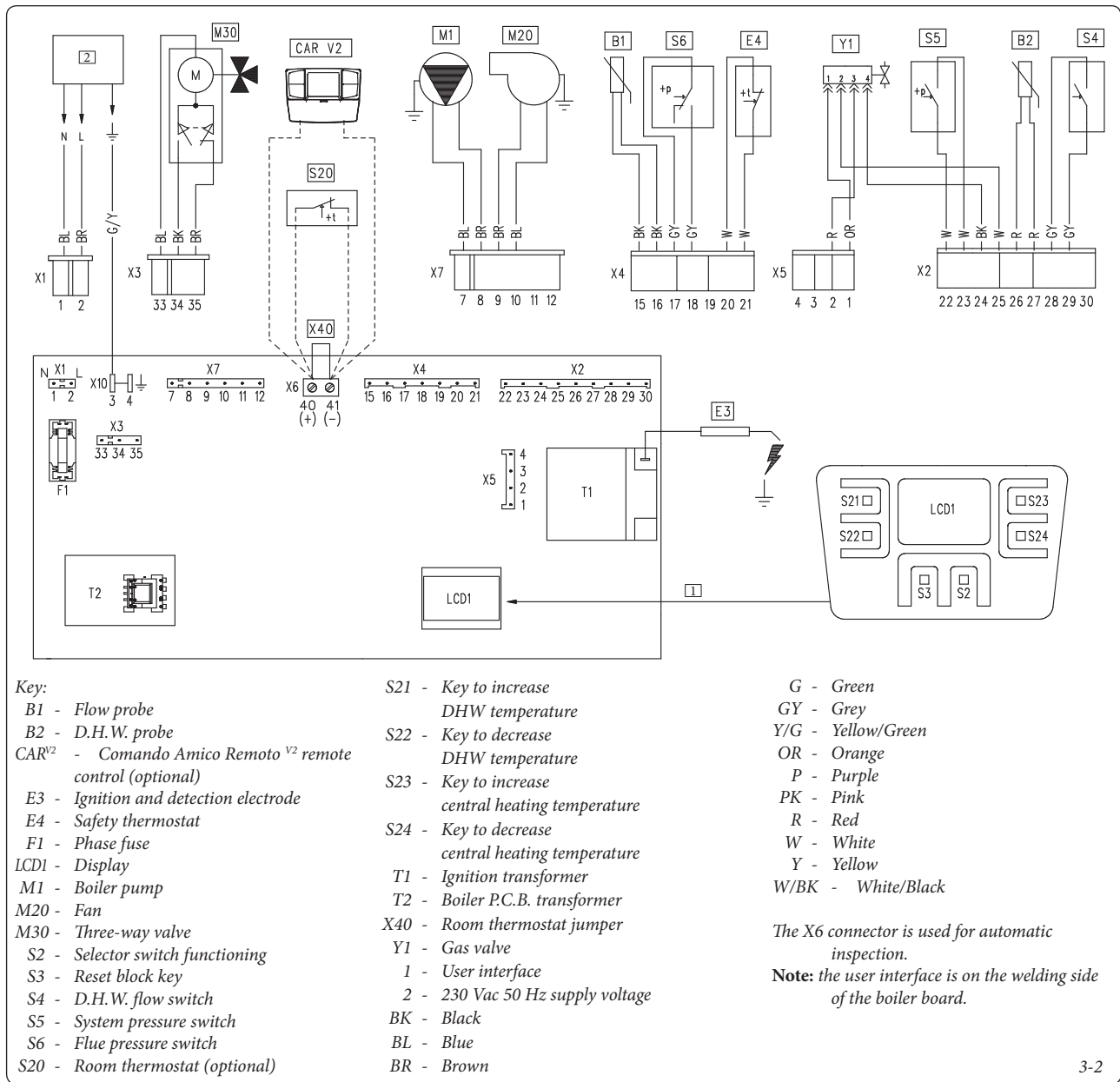


INSTALLER

USER

MAINTENANCE TECHNICIAN

**3.2 WIRING DIAGRAM.**



Comando Amico Remoto remote control<sup>V2</sup>: the boiler is set-up for the application of the Comando Amico Remoto remote control<sup>V2</sup> (CAR<sup>V2</sup>) which must be connected to clamps 40 and 41, by observing polarity and eliminating jumper X40.

Room thermostat: the boiler is set-up for the application of the Room Thermostat (S20) which must be connected to clamps 40 and 41 and by eliminating jumper X40.

**3.3 TROUBLESHOOTING.**

**Note:** maintenance operations must be carried out by an authorised company (e.g. Authorised After-Sales Technical Assistance Service).

- Smell of gas. Caused by leakage from gas circuit pipelines. Check sealing efficiency of gas intake circuit.
- The fan works but ignition discharge does not occur on the burner ramp. The fan may start but the safety air pressure switch does not switch the contact over. Make sure:

- 1) the intake-exhaust duct is not too long (over allowed length).
  - 2) the intake-exhaust pipe is not partially blocked (on the exhaust or intake side).
  - 3) the diaphragm of the fume exhaust is adequate for the length of the intake-exhaust duct.
  - 4) the sealed chamber is kept in good conditions.
  - 5) the fan power supply voltage is not less than 196 V.
- Irregular combustion (red or yellow flame). Can be caused by: dirty burner, clogged lamellar pack, intake - exhaust terminal not installed properly. Clean the above components and ensure correct installation of the terminal.
  - Frequent activation of the temperature overload thermostat. It can depend on reduced water pressure in the boiler, little circulation in the heating system, the blocked pump or an anomaly of the boiler P.C.B. Check on the pressure gauge that the system pressure is within established limits. Check that radiator valves are not all closed.

- Presence of air in the system. Check opening of the special air vent valve cap (Fig. 1-27). Make sure the system pressure and expansion vessel factory-set pressure values are within the set limits; the factory-set value for the expansion vessel must be 1.0 bar, and system pressure between 1 and 1.2 bar.
- Ignition block. (Paragraph 2.4).

**3.4 CONVERTING THE BOILER TO OTHER TYPES OF GAS.**

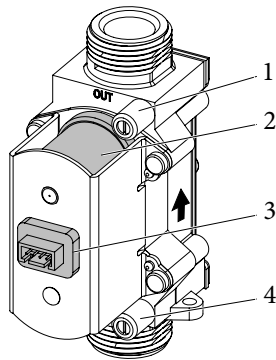
If the boiler has to be converted to a different gas type to that specified on the data nameplate, request the relative conversion kit for quick and easy conversion.

The gas conversion operation must be carried out by an authorised company (e.g. Authorised Technical After-Sales Service).

### SGV 100 B&P GAS valve

Key:

- 1 - Gas valve outlet pressure point
- 2 - Coil
- 3 - Wiring connector
- 4 - Gas valve inlet pressure point



3-3

To convert to another type of gas the following operations are required:

- remove the voltage from the appliance;
- replace the main burner injectors, making sure to insert the special seal rings supplied in the kit, between the gas manifold and the injectors;
- apply voltage to the appliance;
- select, using the boiler key, the gas parameter type (P01) and select (nG) in the case of methane supply or (LG) in the case of LPG supply;
- Perform complete gas valve calibration
- adjust the boiler nominal heat output;
- adjust the boiler nominal heat output in domestic hot water phase;
- adjust the boiler nominal heat output in heating phase (Paragraph 3.7);
- adjust (eventually) the maximum heating power (Paragraph 3.7);
- after completing conversion, apply the sticker, present in the conversion kit, near the data-plate. Using an indelible marker pen, delete the data relative to the old type of gas.

These adjustments must be made with reference to the type of gas used, following that given in the table (Paragraph 3.16).

### 3.5 CHECKS FOLLOWING CONVERSION TO ANOTHER TYPE OF GAS.

After making sure that conversion was carried out with a nozzle of suitable diameter for the type of gas used and the settings are made at the correct pressure, check that:

- the pressure testers used for calibration are perfectly closed and there are no leaks from the gas circuit.

**Note:** all boiler adjustment operations must be carried out by a qualified company (e.g. Authorised After-Sales Assistance). Burner adjustment must be carried out using a differential "U" or digital type pressure gauge connected to the pressure socket located above the sealed chamber (det. 9 Fig. 1-27) and the gas valve pressure outlet (det. 1 Fig. 3-3), keeping to the pressure value given in the table (Paragraph 3.16) according to the type of gas for which the boiler is prepared.

### 3.6 GAS VALVE CALIBRATION.

The valve calibration must be carried out when the gas valve or the P.C.B. is replaced or in the case of conversion to a different type of gas.

To access the calibration phase, proceed as described below (references Fig. 2-1):

#### Complete calibration

Access the valve calibration function.

**Note:** there must be no D.H.W. demand to access the gas valve calibration function.

Set parameter P15 to 5 and exit from the menu.

- Adjustment of boiler nominal thermal heat output

- Press buttons (2) and (5) simultaneously for 5 seconds until "Au" + "to" (Automatic) appears alternately on the display.

**Note:** press buttons (2) and (5) again for 5 seconds or wait 2 minutes without implementing any adjustment to exit from the complete calibration phase.

- Wait until the parameter b02 appears (adjustment of the boiler nominal heat output).

**Note:** the boiler starts up in heating mode; if you wish to adjust the D.H.W., open a hot water tap after the burner goes on.

- Adjust parameter b02, observing the maximum pressure values stated in the tables (Paragraph 3.16) depending on the type of gas.

- Press the button (5) to increase the thermal power and button (6) to decrease it. After the adjustment, press and hold the reset button (1) to save the parameter. Confirmation that the parameter has been saved is given by the value flashing.

**Attention:** if during the adjustment phase, the boiler nominal heat output value is exceeded by 0.2 mbar (table Paragraph 3.16) you must exit and re-enter from the calibration step to rerun the adjustment.

- Adjustment of boiler minimum thermal heat output.

- Press button (3) or (4) to select parameter b01 (minimum boiler heat output during D.H.W.).

**Note:** only proceed after having calibrated the boiler nominal heat output.

- Press the button (5) to increase the thermal power and button (6) to decrease it. After the adjustment, press and hold the reset button (1) to save the parameter. Confirmation that the parameter has been saved is given by the value flashing.

#### Calibration correction.

The procedure described below allows the parameters set with the "Complete calibration" to be partially changed.

Access the valve calibration function.

**Note:** there must be no D.H.W. demand to access the gas valve calibration function.

If parameter P15 has recently been set to 5 (e.g. for full gas valve calibration), a different value must be set to access the "Calibration correction".

- Correction of boiler nominal heat output calibration.

- Press buttons (2) and (5) simultaneously for 5 seconds until "Ma" + "nu" (Manual) appears alternately on the display.

**Note:** press buttons (2) and (5) again for 5 seconds or wait 2 minutes without implementing any adjustment to exit from the calibration correction phase.

- Wait until the parameter b02 appears (adjustment of the boiler nominal heat output).

**Note:** the boiler starts up in heating mode; if you wish to adjust the D.H.W., open a hot water tap after the burner goes on.

- Adjust parameter b02, observing the maximum pressure values stated in the tables (Paragraph 3.16) depending on the type of gas.

- Press the button (5) to increase the thermal power and button (6) to decrease it. After the adjustment, press and hold the reset button (1) to save the parameter. Confirmation that the parameter has been saved is given by the value flashing.

- Correction of boiler minimum heat output calibration.

- Press button (3) or (4) to select parameter b01 (minimum boiler heat output during D.H.W.).

- Press the button (5) to increase the thermal power and button (6) to decrease it. After the adjustment, press and hold the reset button (1) to save the parameter. Confirmation that the parameter has been saved is given by the value flashing.

INSTALLER

USER

MAINTENANCE TECHNICIAN

### 3.7 PROGRAMMING THE P.C.B.

The boiler is prepared for possible programming of several operation parameters. By modifying these parameters as described below, the boiler can be adapted according to specific needs.

To access the programming phase, proceed as follows (references Fig. 2-1):

- press buttons (1) and (2) for 5 about seconds until the programming mode is accessed on the display;

- using keys (3) and (4), select the parameter to be changed indicated in the following table:

- adjust the corresponding value consulting the table using buttons (5) and (6);

- confirm the value set by pressing the Reset button (1) for about 5 seconds.

**Note:** 2 minutes after no button is touched will automatically cancel the operation or by pressing buttons (1) and (2) simultaneously for about 5 seconds.

Id Parameter	Parameter	Description	Range (ref. 9 Fig. 2-1)	Default
P01	Gas type selection	The setting of this function is used to adjust the boiler so that it can operate with the correct type of gas	nG - Methane LG - LPG	Set according to the gas being used
P02	Heating switch-on delay request from room thermostat and remote control.	The boiler is set to switch-on 3 seconds after the request. In the event of particular systems (e.g. area systems with motorised thermostatic valves etc.) it may be necessary to delay ignition	0 - 20 (00 = 3 seconds 01 = 30 seconds 02 = 1 minute 20 = 10 minutes)	0
P03	Fixed or correlated domestic hot water set-point	By setting the parameter P3 in <b>on</b> mode, burner disabling is correlated to the adjustment of the domestic hot water temperature. In <b>OFF</b> mode, the burner is switched off at maximum value.	<b>on</b> - correlated <b>oF</b> - fixed	oF
P05	Minimum CH output	The boiler also has electronic modulation that adapts the boiler potentiality to the effective heating demand of the house. Then the boiler works normally in a variable gas pressure field between the minimum heating output and the maximum heating output depending on the system's heating load.	0 - 63 %	Set according to factory inspection
P06	Maximum central heating output	<b>Note:</b> the boiler is produced and calibrated in the central heating phase at nominal output. Approximately 10 minutes are needed to reach the nominal heat output, which can be changed using the parameter (P06). <b>Note:</b> the selection of the "Minimum heating output" and "Maximum heating output" parameters, in presence of a heating request, allows boiler ignition and power supply of the modulator with current equal to the value of the respective set value.	0 - 100 %	Set according to factory inspection
P07	Central heating ignitions timer	The boiler has electronic timing, which prevents the burner from igniting too often in central heating mode.	0 - 10 minutes (0 = 30 seconds)	3
P08	Central heating ramp timer	In the ignition phase, the boiler performs an ignition ramp in order to arrive at the maximum nominal power set.	0 - 10 minutes (0 = 30 seconds)	10
P10	Power ignition	Establishes the power at which the boiler must switch on. The 1st gas valve step soft ignition step can be set. The ignition power increases as the parameter value is increased.	0 - 40	0
P13	Temperature gradient	Change the insufficient circulation intervention value (E27)	0 - 15 (0 = Function deactivated)	11
P14	Boiler type	Establishes the boiler type and its functioning mode 1 = open chamber boiler (NIKE) 2 = sealed chamber boiler (EOLO)	1 - 2	2
P15	Gas valve calibration	Allows the gas valve to be calibrated 5 = complete calibration <b>different from 5</b> = calibration correction	0 - 20	0
P16	Valve check	Attention: do not change this parameter	0 - 2	2
P17 (if it's present)	Flow off temperature increase (Central heating)	Increases the flow off temperature at ignition only in the first 30 seconds.	on - oF	on

**Note:** parameters P00, P04, P09, P11 and P12 are not used for this boiler model.



### 3.8 "CHIMNEY SWEEP" FUNCTION.

When activated, this function forces the boiler at max. output (P06) for 15 minutes.

In this state all adjustments are excluded and only the temperature safety thermostat and the limit thermostat remain active. To activate the chimney sweep function, press the Reset key for at least 5 seconds. Its activation is indicated by the flashing symbols (8 and 11 Fig. 2-1). This function allows the technician to check the combustion parameters. After the checks disable the function, switching the boiler off and then on again or simply by pressing the reset button for about 5 seconds (1 Fig. 2-1).

The maximum heating power can be set to P06 and P05 by pressing buttons (3 or 4). The power can be adjusted by one percentage point by pressing buttons (5 or 6).

If you wish to run the "chimney sweep" function in D.H.W., open a D.H.W. tap after switching the burner on.

The maximum boiler power can be set to 0% and 100% by pressing buttons (3 or 4). The power can be adjusted by one percentage point by pressing buttons (5 or 6).

**Note:** the display of the boiler power percentage alternates with the display of the temperature read by the flow probe.

### 3.9 HEATING TIMER.

The boiler has an electronic timing device that prevents the burner from igniting too often in the heating phase. The boiler is supplied as per standard with a timer adjusted at 3 minutes. To adjust the timer values, follow instructions for parameter settings by selecting parameter (P07) and set it with one of the values indicated on the relative table.

### 3.10 THREE-WAY ANTI-BLOCK SYSTEM.

The boiler is supplied with a function that activates the motorised three-way unit every 24 hours, carrying out a complete cycle in order to reduce the risk of three-way block due to prolonged inactivity.

### 3.11 PUMP ANTI-BLOCK FUNCTION.

In the "summer" functioning mode (☀) the boiler has a function that starts the pump at least once every 24 hours for 30 seconds in order to reduce the risk of the pump becoming blocked due to prolonged inactivity.

In the "winter" functioning mode (❄) the boiler has a function that makes the pump start at least once every 3 hours for 30 seconds.

### 3.12 RADIATORS ANTIFREEZE FUNCTION.

If the system return water is below 4°C, the boiler starts up until reaching 42°C.

### 3.13 P.C.B. PERIODICAL SELF-CHECK.

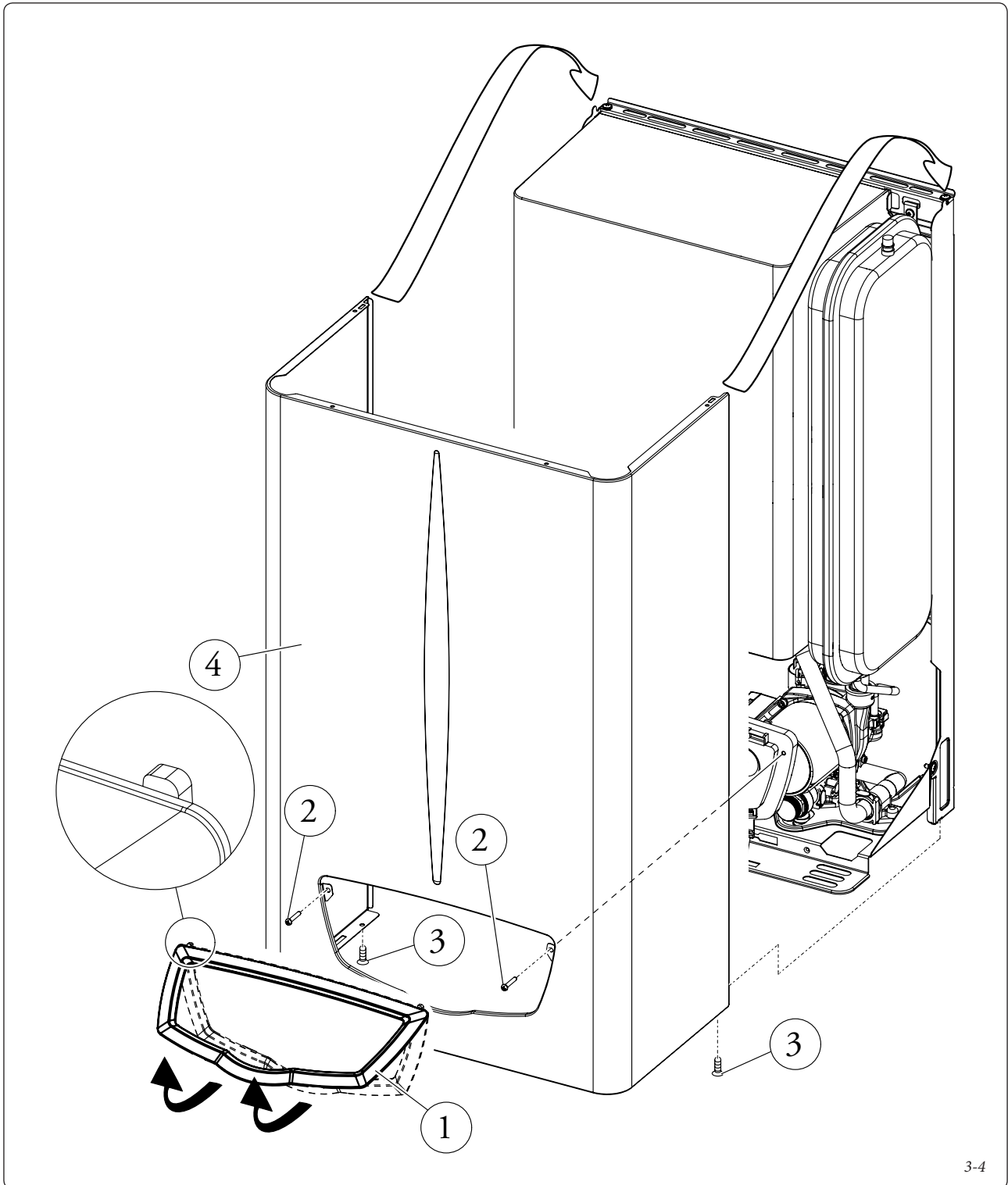
During functioning in central heating mode or with boiler in standby, the function activates every 18 hours after the last boiler check/power supply. In case of functioning in domestic hot water mode the self-check starts within 10 minutes after the end of the withdrawing in progress, for duration of approx. 10 seconds.

**Note:** during self-check, the boiler remains off, including signalling.

### 3.14 CASING REMOVAL.

To facilitate boiler maintenance the casing can be completely removed as follows (Fig. 3-4):

- Remove the frame (1) holding the edges and pulling it towards you as indicated by the arrows.
- Undo the 2 front screws (2) and the 2 lower screws (3) which fasten the casing (4).
- Pull the casing (4) towards yourself and up at the same time to detach it from the upper hooks.



3-4

### 3.15 YEARLY APPLIANCE CHECK AND MAINTENANCE.

The following checks and maintenance should be performed at least once a year.

- Check that the system's water PH is between 7 and 8.5.
- Clean the flue side of the heat exchanger.
- Clean the main burner.
- Visually check the flue hood for deterioration or corrosion.
- Check correct lighting and operation.
- Ensure correct calibration of the burner in domestic water and heating phases.
- Check correct operation of control and adjustment devices and in particular:
  - intervention of main electrical switch positioned outside of the boiler;
  - system control thermostat intervention;
  - domestic hot water control thermostat intervention.

- Check sealing efficiency of gas circuit and the internal system.
- Check the intervention of the device against no gas ionisation flame control. Intervention time must be less than 10 seconds.
- Visually check for water leaks or oxidation from/on connections.
- Visually check that the water safety drain valve is not blocked.
- Check that, after discharging system pressure and bringing it to zero (read on boiler pressure gauge), the expansion vessel load is at 1.0 bar.
- Check that the system static pressure (with system cold and after refilling the system by means of the filling valve) is between 1 and 1.2 bar.
- Check visually that the safety and control devices have not been tampered with and/or shorted, in particular:
  - temperature safety thermostat;
  - water pressure switch;

- Check the function of the electrode.
- Check the condition and integrity of the electrical system and in particular:
  - electrical power cables must be inside the fairleads;
  - there must be no traces of blackening or burning.

**Note:** in addition to yearly maintenance, one must also check the thermal system, with frequency and procedures that comply with the indications of the technical regulations in force.

### 3.16 VARIABLE HEAT OUTPUT.

#### Eolo Mythos Dom 10 1E

		METHANE (G20)			BUTANE (G30)			PROPANE (G31)			
HEAT OUTPUT	HEAT OUTPUT	D.H.W.	BURNER GAS FLOW RATE	BURNER NOZZLES PRESS.		BURNER GAS FLOW RATE	BURNER NOZZLES PRESS.		BURNER GAS FLOW RATE	BURNER NOZZLES PRESS.	
(kW)	(kcal/h)		(m <sup>3</sup> /h)	(mbar)	(mm H <sub>2</sub> O)	(kg/h)	(mbar)	(mm H <sub>2</sub> O)	(kg/h)	(mbar)	(mm H <sub>2</sub> O)
23.0	19780		2.67	13.00	132.6	2.00	28.20	287.6	1.96	36.40	371.2
22.0	18920		2.56	11.84	120.8	1.91	25.89	264.0	1.88	33.23	338.9
21.0	18060		2.44	10.76	109.7	1.82	23.71	241.8	1.79	30.27	308.7
20.0	17200		2.33	9.75	99.4	1.74	21.66	220.9	1.71	27.50	280.4
19.0	16340		2.22	8.81	89.8	1.65	19.72	201.1	1.63	24.90	254.0
18.0	15480		2.11	7.93	80.9	1.57	17.88	182.3	1.55	22.47	229.2
17.0	14620		2.00	7.11	72.5	1.49	16.14	164.6	1.46	20.19	205.9
16.0	13760		1.89	6.34	64.7	1.41	14.50	147.8	1.39	18.06	184.2
15.0	12900		1.78	5.63	57.4	1.33	12.93	131.9	1.31	16.06	163.8
14.0	12040		1.67	4.97	50.6	1.25	11.45	116.8	1.23	14.20	144.8
13.0	11180		1.56	4.35	44.4	1.17	10.05	102.5	1.15	12.45	127.0
12.0	10320		1.45	3.78	38.6	1.09	8.72	88.9	1.07	10.83	110.5
11.0	9460		1.35	3.26	33.3	1.00	7.46	76.1	0.99	9.33	95.2
10.0	8600	HEAT.	1.24	2.79	28.4	0.92	6.27	63.9	0.91	7.95	81.1
9.0	7740	+ D.H.W.	1.12	2.36	24.0	0.84	5.15	52.5	0.83	6.68	68.1
8.0	6880	D.H.W.	1.01	1.97	20.1	0.76	4.09	41.8	0.74	5.53	56.4
7.2	6192		0.92	1.70	17.3	0.69	3.30	33.7	0.68	4.70	47.9

INSTALLER

USER

MAINTENANCE TECHNICIAN

**Eolo Mythos Dom 18 1E**

		METHANE (G20)			BUTANE (G30)			PROPANE (G31)			
HEAT OUTPUT	HEAT OUTPUT	BURNER GAS FLOW RATE	BURNER NOZZLES PRESS.		BURNER GAS FLOW RATE	BURNER NOZZLES PRESS.		BURNER GAS FLOW RATE	BURNER NOZZLES PRESS.		
(kW)	(kcal/h)		(m <sup>3</sup> /h)	(mbar)		(mm H <sub>2</sub> O)	(kg/h)		(mbar)	(mm H <sub>2</sub> O)	(kg/h)
23.0	19780	D.H.W.	2.65	13.00	132.6	1.98	28.20	287.6	1.95	36.40	371.2
22.0	18920		2.55	12.05	122.8	1.90	26.15	266.6	1.87	33.40	340.6
21.0	18060		2.45	11.12	113.4	1.83	24.15	246.2	1.80	30.52	311.2
20.0	17200		2.35	10.22	104.2	1.75	22.21	226.5	1.72	27.75	283.0
19.0	16340		2.24	9.35	95.4	1.67	20.33	207.3	1.65	25.11	256.1
18.0	15480		2.14	8.51	86.8	1.60	18.50	188.7	1.57	22.60	230.4
17.0	14620	HEAT. + D.H.W.	2.03	7.71	78.6	1.52	16.75	170.8	1.49	20.21	206.1
16.0	13760		1.92	6.93	70.7	1.44	15.05	153.5	1.41	17.96	183.1
15.0	12900		1.82	6.19	63.2	1.35	13.42	136.9	1.33	15.84	161.6
14.0	12040		1.71	5.49	55.9	1.27	11.87	121.0	1.25	13.87	141.5
13.0	11180		1.59	4.82	49.1	1.19	10.38	105.8	1.17	12.05	122.9
12.0	10320		1.48	4.18	42.6	1.11	8.96	91.4	1.09	10.38	105.8
11.0	9460		1.37	3.59	36.6	1.02	7.63	77.8	1.00	8.87	90.4
10.0	8600		1.25	3.03	30.9	0.93	6.37	65.0	0.92	7.52	76.7
9.0	7740		1.14	2.52	25.7	0.85	5.19	53.0	0.83	6.35	64.8
8.0	6880		D.H.W.	1.02	2.04	20.8	0.76	4.11	41.9	0.75	5.36
7.2	6192	0.92		1.70	17.3	0.69	3.30	33.7	0.68	4.70	47.9

**Eolo Mythos Dom 24 1E**

		METHANE (G20)			BUTANE (G30)			PROPANE (G31)				
HEAT OUTPUT	HEAT OUTPUT	BURNER GAS FLOW RATE	BURNER NOZZLES PRESS.		BURNER GAS FLOW RATE	BURNER NOZZLES PRESS.		BURNER GAS FLOW RATE	BURNER NOZZLES PRESS.			
(kW)	(kcal/h)		(m <sup>3</sup> /h)	(mbar)		(mm H <sub>2</sub> O)	(kg/h)		(mbar)	(mm H <sub>2</sub> O)	(kg/h)	(mbar)
23.0	19780	HEAT. + D.H.W.	2.67	13.00	132.6	2.00	28.20	287.6	1.96	36.40	371.2	
22.0	18920		2.56	12.20	124.4	1.91	26.07	265.8	1.88	33.62	342.9	
21.0	18060		2.45	11.42	116.5	1.83	24.02	245.0	1.80	30.97	315.8	
20.0	17200		2.34	10.65	108.6	1.75	22.06	225.0	1.72	28.43	289.9	
19.0	16340		2.23	9.90	101.0	1.67	20.19	205.8	1.64	26.00	265.2	
18.0	15480		2.13	9.16	93.4	1.59	18.38	187.5	1.56	23.68	241.5	
17.0	14620		2.02	8.43	86.0	1.51	16.66	169.9	1.48	21.46	218.9	
16.0	13760		1.91	7.72	78.7	1.42	15.00	153.0	1.40	19.35	197.3	
15.0	12900		1.80	7.01	71.5	1.34	13.42	136.8	1.32	17.32	176.7	
14.0	12040		1.69	6.31	64.3	1.26	11.90	121.4	1.24	15.40	157.0	
13.0	11180		1.58	5.62	57.3	1.18	10.45	106.6	1.16	13.56	138.3	
12.0	10320		1.47	4.93	50.3	1.10	9.06	92.4	1.08	11.81	120.5	
11.0	9460		1.36	4.25	43.3	1.01	7.74	78.9	1.00	10.16	103.6	
10.0	8600		1.24	3.57	36.5	0.93	6.48	66.1	0.91	8.59	87.6	
9.0	7740		1.13	2.90	29.6	0.84	5.29	53.9	0.83	7.12	72.6	
8.0	6880		D.H.W.	1.01	2.23	22.8	0.76	4.16	42.4	0.74	5.74	58.5
7.2	6192			0.92	1.70	17.3	0.69	3.30	33.7	0.68	4.70	47.9

**Note:** the pressures indicated in the tables represent the difference in existing pressures between the gas valve outlet and the combustion chamber. The adjustments should therefore, be carried out using a differential manometer (small "U"-shaped

column or digital manometer) with the probes inserted in the pressure test gas valve outlet and on the sealed chamber positive pressure test. The power data given in the table is obtained with 0.5m long intake/exhaust pipe. Gas flow rates

refer to heating power below a temperature of 15°C and pressure of 1013 mbar. Burner pressure values refer to use of gas at 15°C.

### 3.17 COMBUSTION PARAMETERS.

		G20	G30	G31
<b>Eolo Mythos Dom 10 1E</b>				
Gas nozzle diameter	mm	1.30	0.79	0.79
supply pressure	mbar (mm H <sub>2</sub> O)	20 (204)	29 (296)	37 (377)
Flue flow rate at nominal heat output	kg/h	55	52	54
Flue flow rate at min heat output	kg/h	57	57	54
CO <sub>2</sub> at Nom./Min. Q.	%	6.63 / 2.06	8.00 / 2.40	7.73 / 2.50
CO with 0% O <sub>2</sub> at Nom./Min. Q.	ppm	88 / 148	158 / 228	94 / 187
NO <sub>x</sub> with 0% O <sub>2</sub> at Nom./Min. Q.	mg/kWh	89 / 51	138 / 37	128 / 39
Flue temperature at nominal output	°C	101	108	108
Flue temperature at minimum output	°C	97	105	102
Maximum intake / exhaust available head with concentric flue	Pa	74		
Intake / exhaust available head with divided flue max. exhaust length 27 metres or intake length 33 metres (intake diaphragm Ø 45)	Pa	81		
Intake / exhaust available head with divided flue max. intake length from 33 to 40 metres (intake diaphragm Ø 45 and exhaust blade 15)	Pa	110		
<b>Eolo Mythos Dom 18 1E</b>				
Gas nozzle diameter	mm	1.30	0.79	0.79
supply pressure	mbar (mm H <sub>2</sub> O)	20 (204)	29 (296)	37 (377)
Flue flow rate at nominal heat output	kg/h	55	52	54
Flue flow rate at min heat output	kg/h	57	57	54
CO <sub>2</sub> at Nom./Min. Q.	%	6.63 / 2.06	8.01 / 2.40	7.73 / 2.50
CO with 0% O <sub>2</sub> at Nom./Min. Q.	ppm	88 / 148	158 / 228	94 / 187
NO <sub>x</sub> with 0% O <sub>2</sub> at Nom./Min. Q.	mg/kWh	89 / 51	138 / 37	128 / 39
Flue temperature at nominal output	°C	119	128	124
Flue temperature at minimum output	°C	97	105	102
Maximum intake / exhaust available head with concentric flue	Pa	74		
Intake / exhaust available head with divided flue max. exhaust length 27 metres or intake length 33 metres (intake diaphragm Ø 45)	Pa	81		
Intake / exhaust available head with divided flue max. intake length from 33 to 40 metres (intake diaphragm Ø 45 and exhaust blade 15)	Pa	110		
<b>Eolo Mythos Dom 24 1E</b>				
Gas nozzle diameter	mm	1.30	0.79	0.79
supply pressure	mbar (mm H <sub>2</sub> O)	20 (204)	29 (296)	37 (377)
Flue flow rate at nominal heat output	kg/h	55	52	54
Flue flow rate at min heat output	kg/h	57	57	54
CO <sub>2</sub> at Nom./Min. Q.	%	6.63 / 2.06	8.01 / 2.40	7.73 / 2.50
CO with 0% O <sub>2</sub> at Nom./Min. Q.	ppm	88 / 148	158 / 228	94 / 187
NO <sub>x</sub> with 0% O <sub>2</sub> at Nom./Min. Q.	mg/kWh	89 / 51	138 / 37	128 / 39
Flue temperature at nominal output	°C	127	134	131
Flue temperature at minimum output	°C	97	105	102
Maximum intake / exhaust available head with concentric flue	Pa	74		
Intake / exhaust available head with divided flue max. exhaust length 27 metres or intake length 33 metres (intake diaphragm Ø 45)	Pa	81		
Intake / exhaust available head with divided flue max. intake length from 33 to 40 metres (intake diaphragm Ø 45 and exhaust blade 15)	Pa	110		

INSTALLER

USER

MAINTENANCE TECHNICIAN

Combustion parameters: measuring conditions of useful efficiency (flow temperature/return temperature= 80 / 60 °C), ambient temperature reference = 15°C.

### 3.18 TECHNICAL DATA.

		<b>Eolo Mythos Dom 10 1E</b>	<b>Eolo Mythos Dom 18 1E</b>	<b>Eolo Mythos Dom 241E</b>
Domestic hot water nominal heat input	kW (kcal/h)	25.3 (21736)	25.3 (21736)	25.3 (21734)
Central heating nominal heat input	kW (kcal/h)	11.7 (10041)	20.2 (17368)	25.3 (21734)
Minimum DHW heat input	kW (kcal/h)	8.7 (7478)	8.7 (7482)	8.7 (7481)
Central heating minimum heat input	kW (kcal/h)	10.6 (9106)	10.6 (9106)	10.6 (9106)
Domestic hot water nominal heat output (useful)	kW (kcal/h)	23.0 (19780)	23.0 (19780)	23.0 (19780)
Central heating nominal heat output (useful)	kW (kcal/h)	10.0 (8600)	18.0 (15480)	23.0 (19780)
DHW minimum heat output (useful)	kW (kcal/h)	7.2 (6192)	7.2 (6192)	7.2 (6192)
Central heating minimum heat output (useful)	kW (kcal/h)	9.0 (7740)	9.0 (7740)	9.0 (7740)
Efficiency at nominal heat output	%	85.7	89.1	91.0
Efficiency at 30% nominal heat output load	%	85.1	86.8	87.3
Heat loss at case with burner On/Off	%	1.6 / 0.42	1.6 / 0.42	1.6 / 0.42
Heat loss at flue with burner On/Off	%	7.4 / 0.06	7.4 / 0.06	7.4 / 0.06
Central heating circuit max. operating pressure	bar	3.0	3.0	3.0
Maximum central heating temperature	°C	90	90	90
Adjustable central heating temperature	°C	38 - 85	38 - 85	38 - 85
System expansion vessel total volume	l	4.2	4.2	4.2
Heating expansion vessel pre-charge	bar	1.0	1.0	1.0
Appliance water content	l	2.1	2.1	2.1
Head available with 1000 l/h flow rate	kPa (mH <sub>2</sub> O)	28.5 (2.9)	28.5 (2.9)	28.5 (2.9)
Domestic hot water adjustable temperature	°C	30 - 60	30 - 60	30 - 60
Domestic hot water circuit min. pressure (dynamic)	bar	0.3	0.3	0.3
Domestic hot water circuit max. operating pressure	bar	10.0	10.0	10.0
Minimum D.H.W. flow rate	l/min	--	--	--
Flow rate capacity in continuous duty ( $\Delta T$ 30°C)	l/min	11.0	11.0	11.0
Weight of full boiler	kg	31.2	31.2	31.2
Weight of empty boiler	kg	29.1	29.1	29.1
Electrical connection	V/Hz	230 / 50	230 / 50	230 / 50
Nominal power absorption	A	0.65	0.65	0.65
Installed electric power	W	130	130	130
Pump absorbed power	W	80	80	80
Fan power absorbed power	W	33	33	33
Equipment electrical system protection	-	IPX5D	IPX5D	IPX5D
NO <sub>x</sub> class	-	3	3	3
Weighted NO <sub>x</sub>	mg/kWh	129	129	129
Weighted CO	mg/kWh	142	142	142
Type of appliance	C12 / C32 / C42 / C52 / C62 / C82 / B22p / B32			
Category	II2H3+			

- The data relevant to domestic hot water performance refers to a dynamic inlet pressure of 2 bar and an inlet temperature of 15°C; the values are measured directly at the boiler outlet considering that to obtain the data declared mixing with cold water is necessary.

- The max. sound level emitted during boiler operation is < 55dBA. The sound level value is referred to semianechoic chamber tests with boiler operating at max. heat input, with extension of flue gas exhaust system according to product standards.



**3.19 KEY FOR DATA NAMEPLATE.**

Md		Cod. Md	
Sr N°	CHK	Cod. PIN	
Type			
Q <sub>nw</sub> /Q <sub>n</sub> min.	Q <sub>nw</sub> /Q <sub>n</sub> max.	P <sub>n</sub> min.	P <sub>n</sub> max.
PMS	PMW	D	TM
NO <sub>x</sub> Class			

**Note:** the technical data is provided on the data plate on the boiler

	ENG
Md	Model
Cod. Md	Model code
Sr N°	Serial Number
CHK	Check
Cod. PIN	PIN code
Type	Type of installation (ref. CEN TR 1749)
Q <sub>nw</sub> min.	Minimum DHW heat input
Q <sub>n</sub> min.	Central heating minimum heat input
Q <sub>nw</sub> max.	DHW maximum heat input
Q <sub>n</sub> max.	Central heating maximum heat input
P <sub>n</sub> min.	Minimum heat output
P <sub>n</sub> max.	Maximum heat output
PMS	Maximum system pressure
PMW	Maximum domestic hot water pressure
D	Specific flow rate
TM	Maximum operating temperature
NO <sub>x</sub> Class	NO <sub>x</sub> Class





Follow us

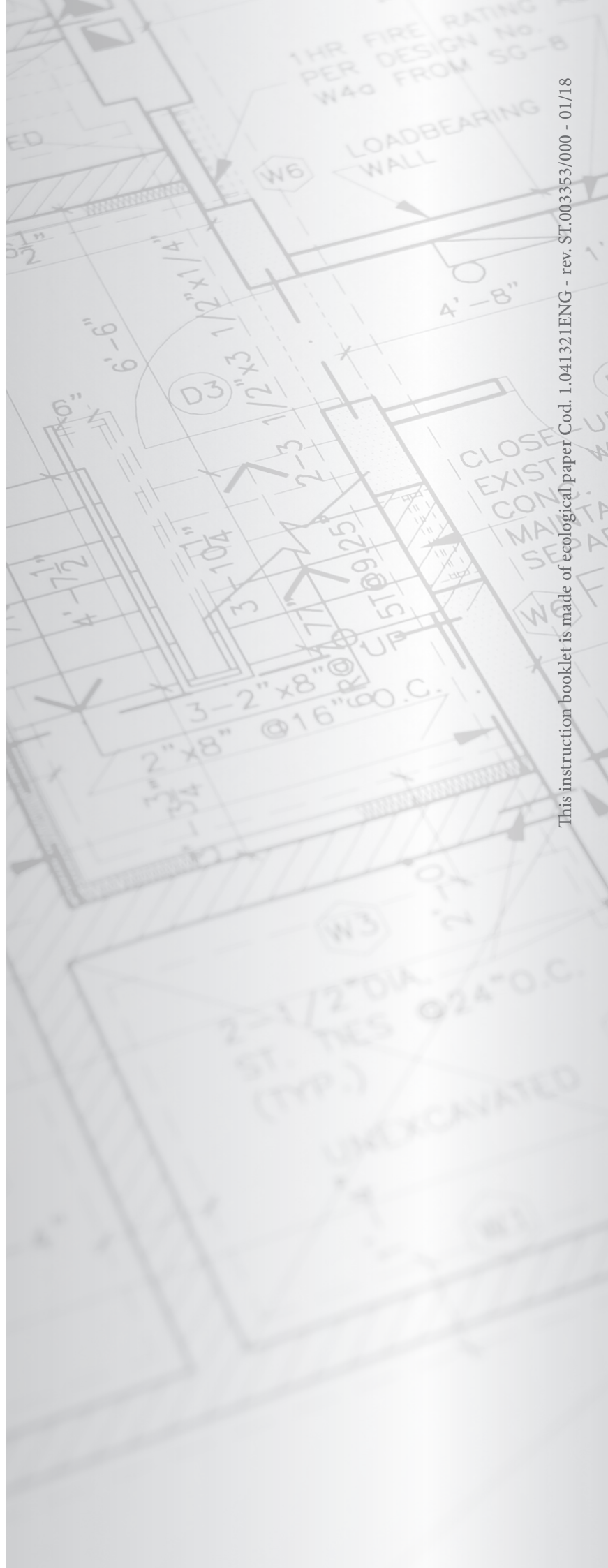
**Immergas Italia**



**immergas.com**

Immergas Europe S.r.o.  
05951 Poprad - Matejovce - SK  
Tel. +421.524314311  
Fax +421.524314316

**Certified company ISO 9001**



This instruction booklet is made of ecological paper Cod. 1.041321ENG - rev. ST.003353/000 - 01/18