



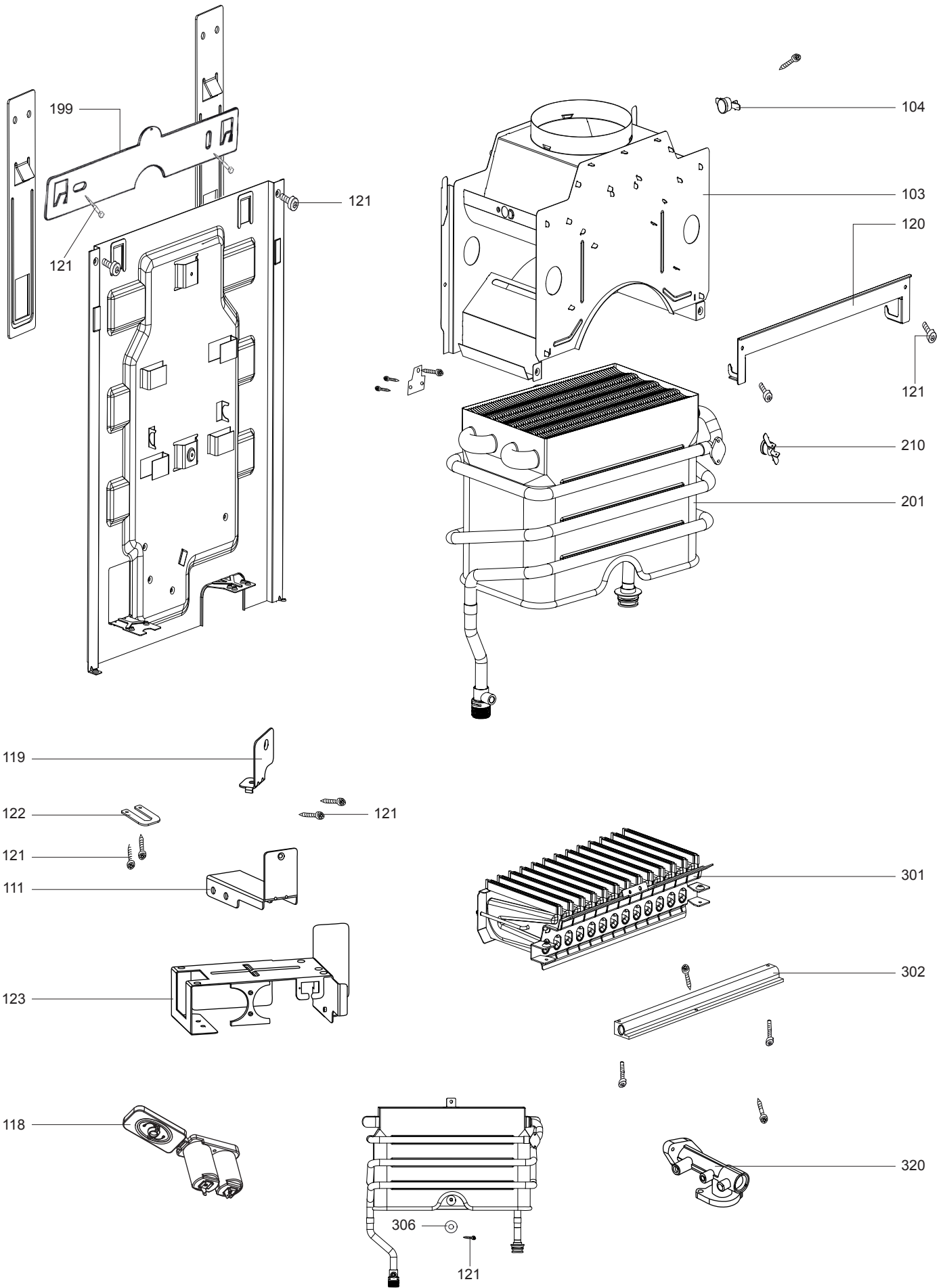
SPARE PARTS EXPLODED VIEW
INSTANTANEOUS GAS WATER HEATERS
Model
FAST R ONM

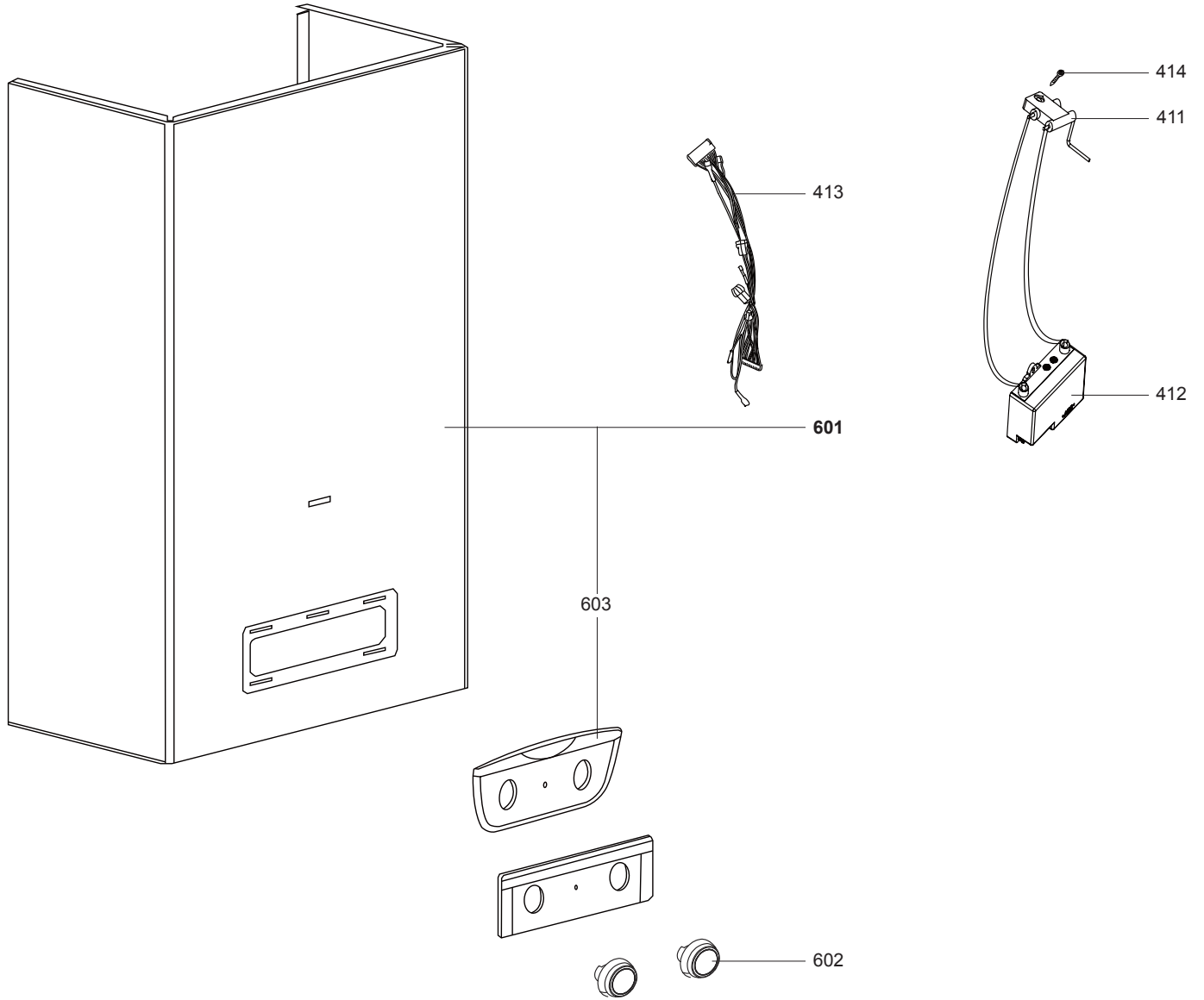
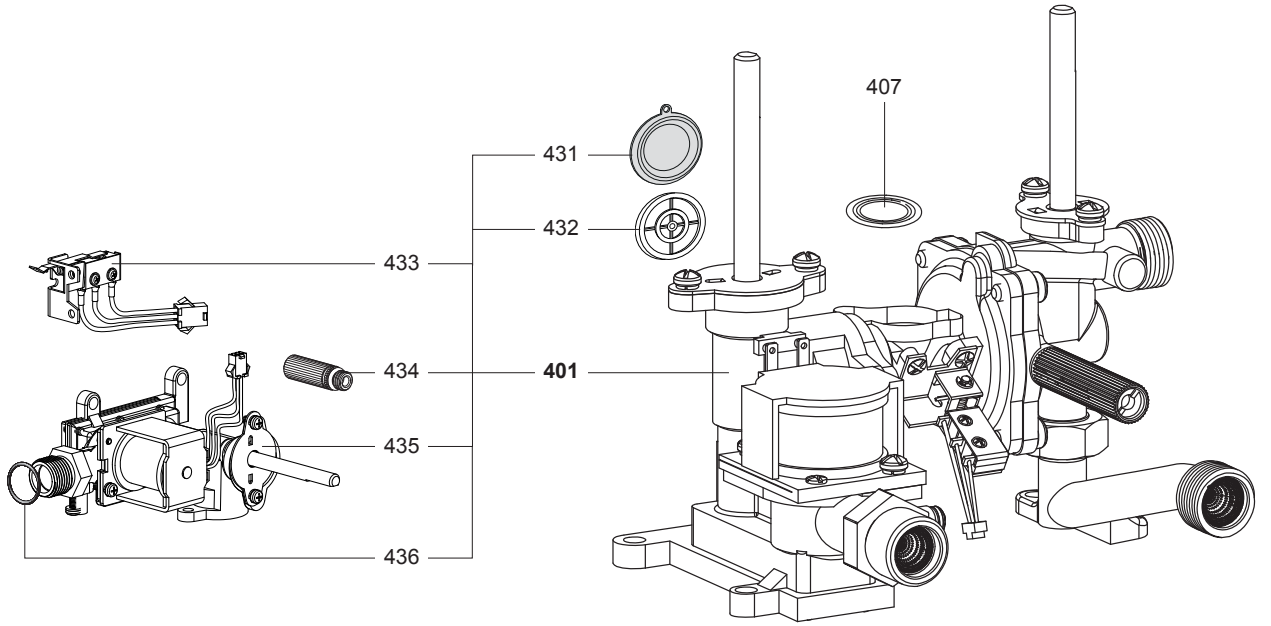
R8217585-05 - 08/09/2021

FAST R ONM

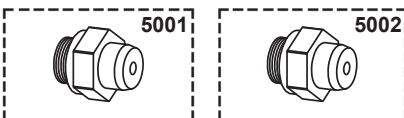
Instantaneous Gas Water Heaters

1	3632303	FAST R ONM 11 NG	07-2016	-
2	3632304	FAST R ONM 11 LPG	07-2016	-
3	3632313	FAST R ONM 11 NG EU	07-2016	03-2021
4	3632314	FAST R ONM 11 LPG EU	07-2016	-
5	3632307	FAST R ONM 14 NG	07-2016	-
6	3632308	FAST R ONM 14 LPG	07-2016	-
7	3632312	FAST R ONM 14 NG RU	07-2016	-
8	3632315	FAST R ONM 14 NG EU	07-2016	03-2021
9	3632316	FAST R ONM 14 LPG EU	07-2016	-
Col	Reference	Model type	Begin	End





5000



LIST OF THE ABBREVIATIONS

HW	: Hot water.
CW	: Cold water.
C	: Ceramic resistance (normal heating).
Ca	: Ceramic resistance (accelerated heating)
TP	: Immersion heater.
1F	: With fittings.
2F	: Without fittings.
3F	: With fittings and another outlet connection.
AMI	: With mixing valve.
SMI	: Without mixing valve.
PUISS	: Power of th appliance.
PN	: Appliance with normal pression.
LP	: Appliance with low pression.
PV	: Appliance with variable power.
PF	: Appliance with fixed power.

IDENTIFICATION PLATE

SERIAL NUMBER

5 Characters :	FD 8 61	(from 01/98 to 12/99)	Month of manufacture : from 61 to 72 → January to December
			Year of manufacture : 8 → 1998 9 → 1999
OR			
5 Characters :	FD 0 81	(from 01/00)	Month of manufacture : from 81 to 92 → January to December
			Year of manufacture : 0 → 2000 1 → 2001 2 → 2002 etc ...
6 Characters :	FD 83 05		Month of manufacture
			Year of manufacture : 83 → 2003 84 → 2004